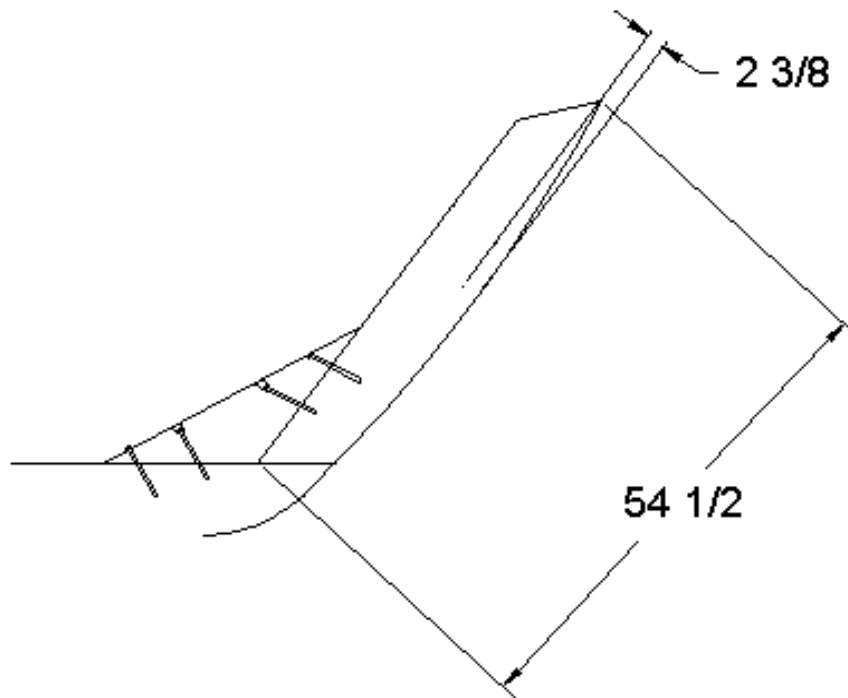


## Arc Layout Guide

A number of builders have written in not really understanding how certain arcs are presented in the drawings and how to cut out those arcs themselves. To illustrate how they're shown on the drawings, here is a typical stem drawing.



The way to scribe this arc on a piece of lumber is by means of a long thin wooden batten. I generally use a piece of solid wood molding. Try to make sure the material is of uniform thickness and material without joints.

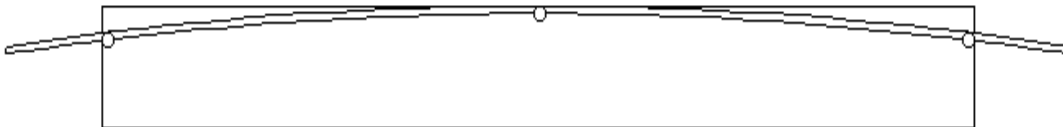
First you measure the offset distances.



Then drive nails into the marked locations.



Then all you need to do is wrap you batten around the nails, then with a pencil mark the curve.



Voila! Your arc is properly struck.

Here I am using such a batten in laying out a stitch and glue hull bottom:

