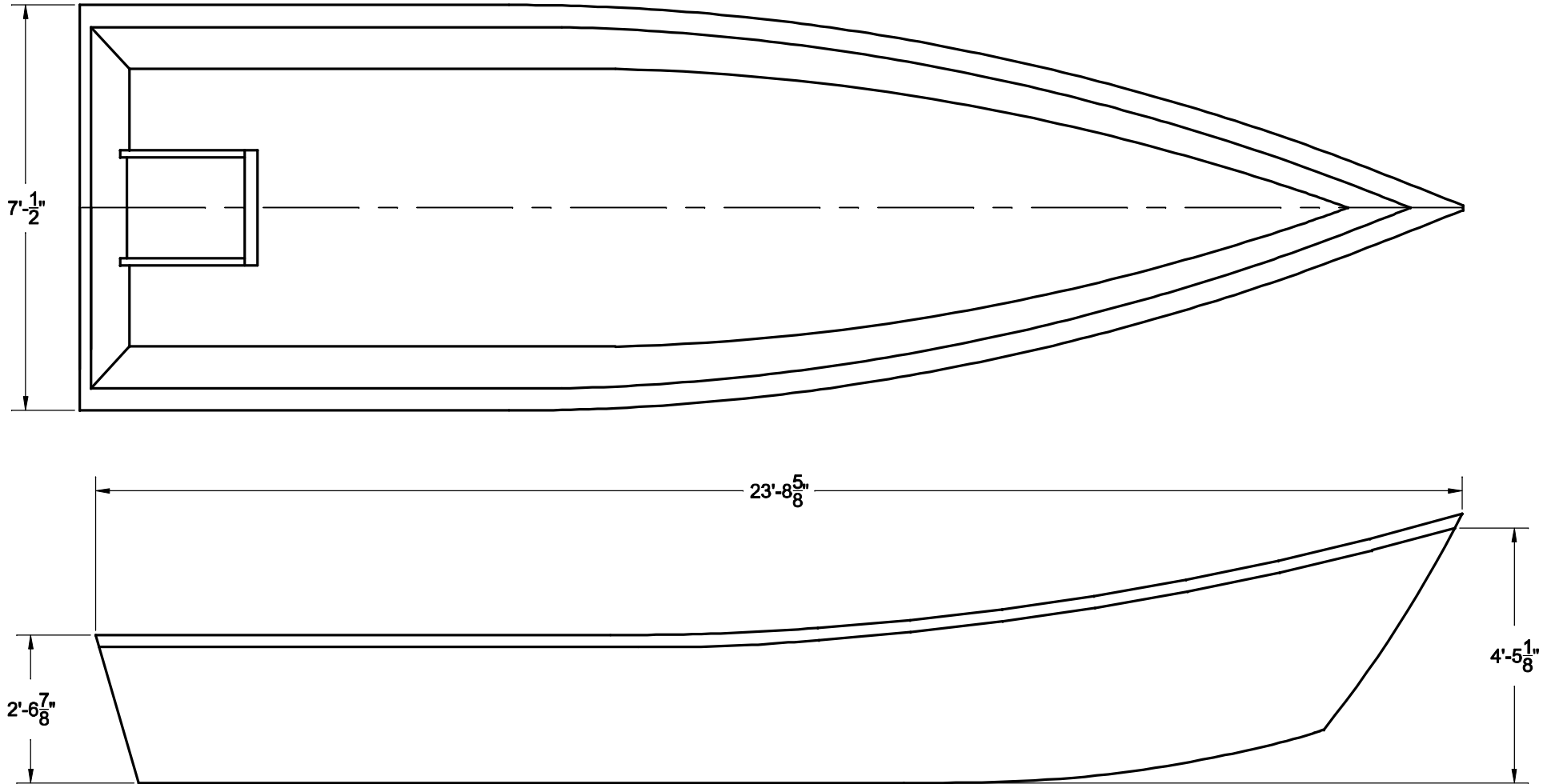


NOTICE

THIS DRAWING CONTAINS A PROPRIETARY DESIGN ASSIGNED TO SPIRA INTERNATIONAL, INC. ALL RIGHTS TO DUPLICATE, TRANSFER OR SELL THIS DESIGN ARE EXPRESSLY RESERVED. THE BUYER IS LICENSED TO BUILD ONE ASSEMBLY FROM THESE PLANS.

REVISIONS

ZONE	LTR	DESCRIPTION	DATE	APPROVED
	A	UPDATED TO NEW FORMAT	08/26/08	JJS



**Spira International, Inc.**  
Huntington Beach, California

**ASTORIA**  
**24' PACIFIC POWER DORY**

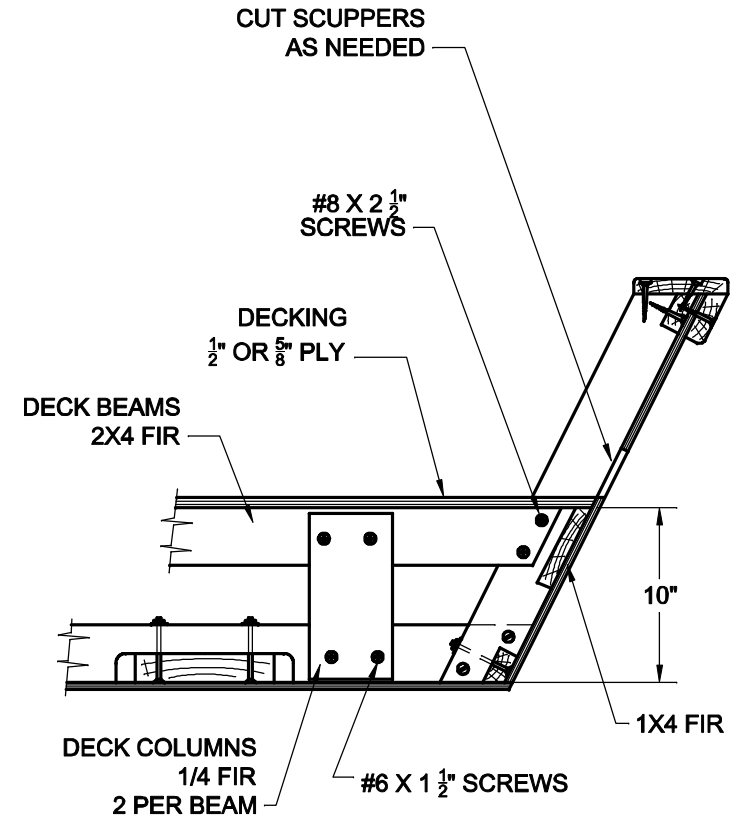
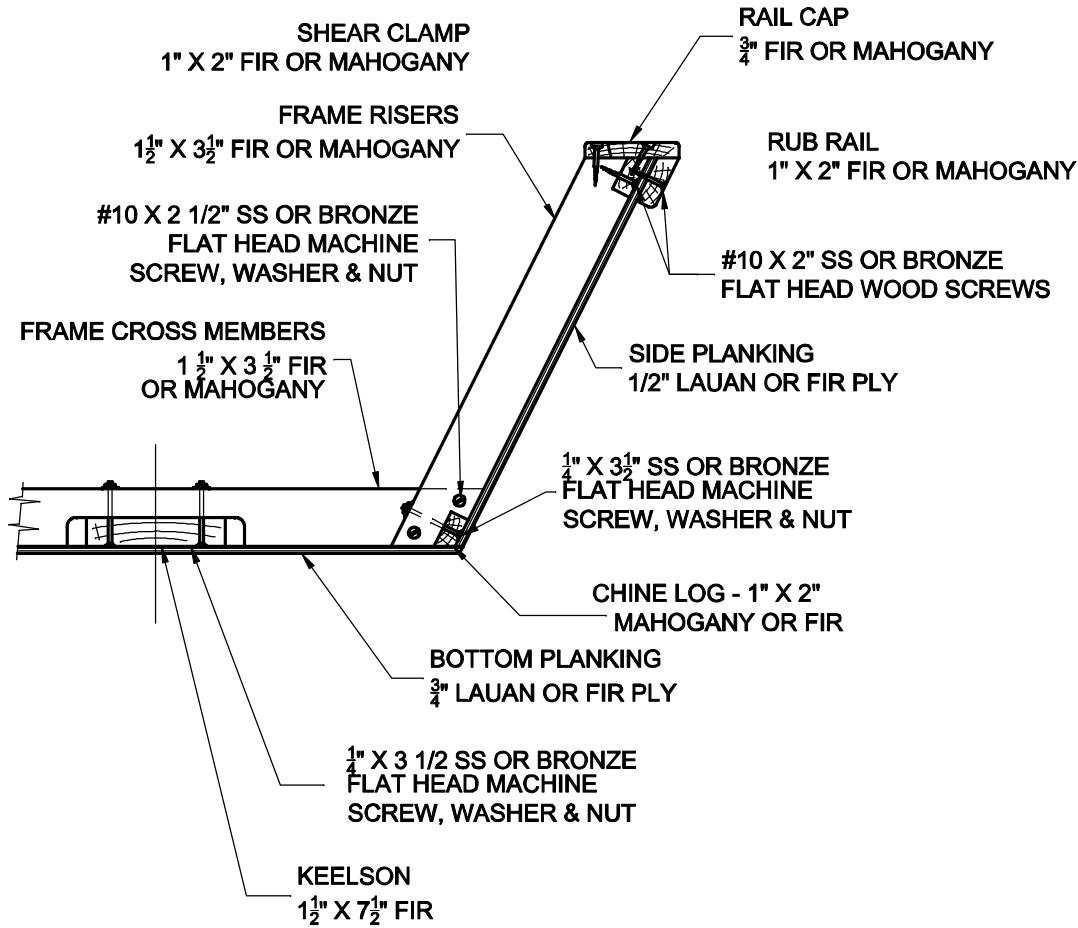
DRAWN BY: J. SPIRA	DATE: 02/14/04	DRAWING NO. AST01
-----------------------	-------------------	----------------------

SCALE 3/4" = 1' SHEET OF

**NOTICE**

THIS DRAWING CONTAINS A PROPRIETARY DESIGN ASSIGNED TO SPIRA INTERNATIONAL, INC. ALL RIGHTS TO DUPLICATE, TRANSFER OR SELL THIS DESIGN ARE EXPRESSLY RESERVED. THE BUYER IS LICENSED TO BUILD ONE ASSEMBLY FROM THESE PLANS.

REVISIONS				
ZONE	LTR	DESCRIPTION	DATE	APPROVED
	A	UPDATED TO NEW FORMAT	08/26/08	JJS



OPTIONAL SELF BAILING DECK DETAIL  
ADD AFTER HULL IS COMPLETE

CONSTRUCTIONS DETAIL  
TYPICAL AT EVERY FRAME  
NOT TO SCALE

<b>Spira International, Inc.</b> <i>Huntington Beach, California</i>		
<b>ASTORIA</b> <b>24' PACIFIC POWER DORY</b>		
DRAWN BY: J. SPIRA	DATE: 02/14/04	DRAWING NO. AST04
SCALE 3/4" = 1'		SHEET OF