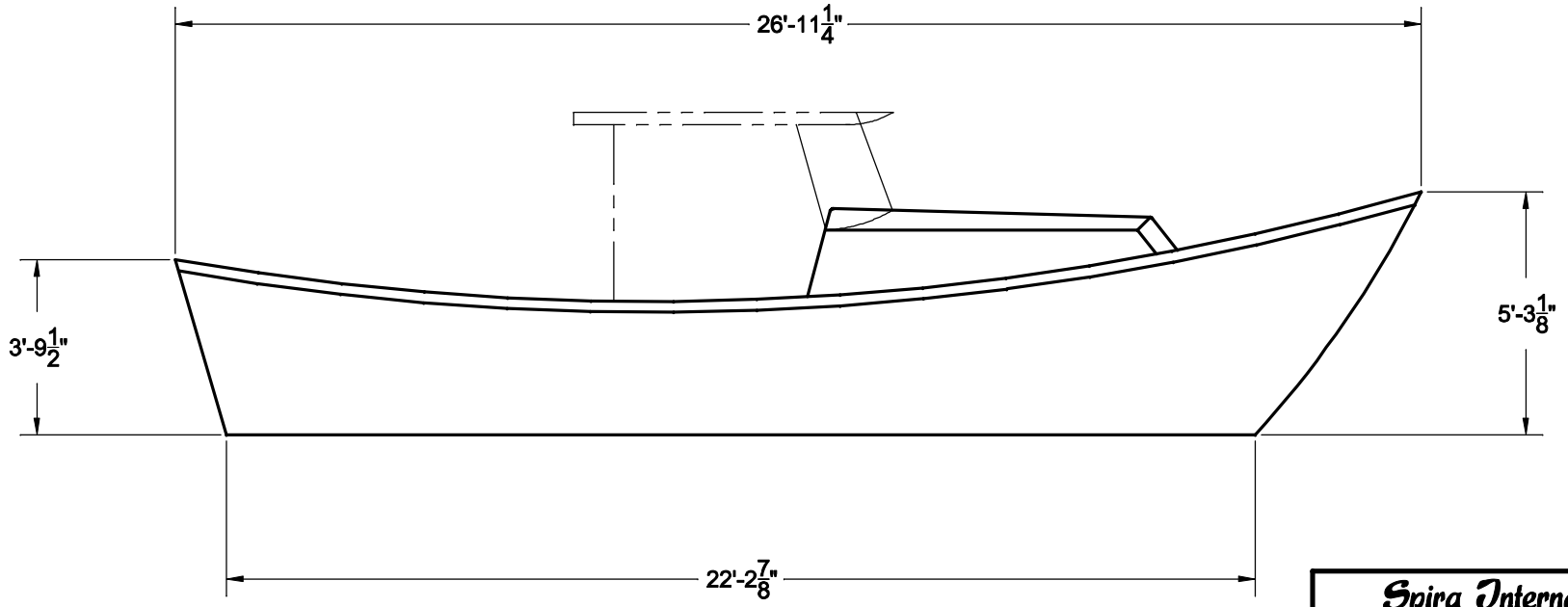
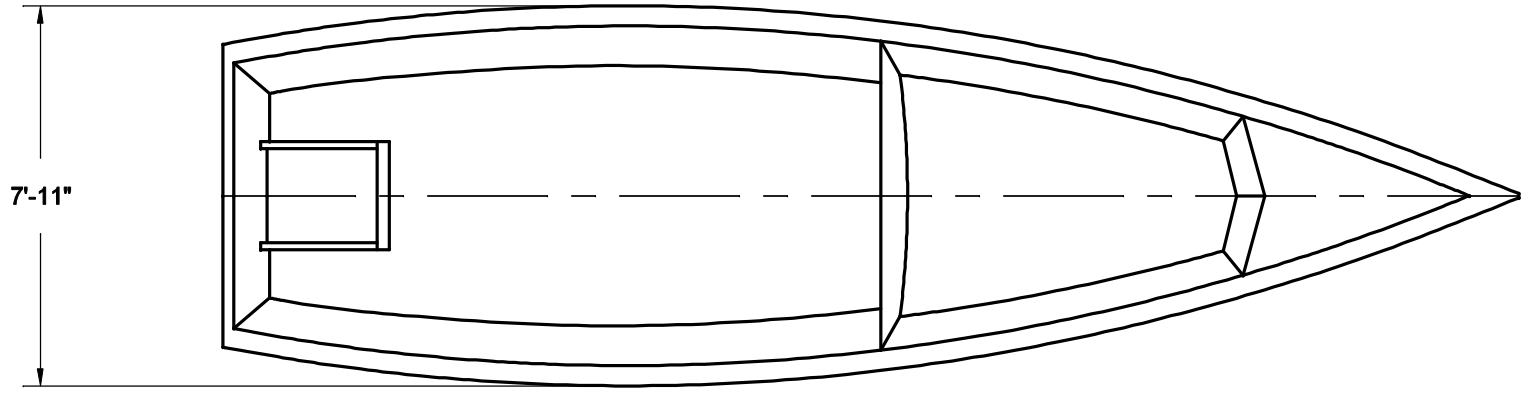


NOTICE
 THIS DRAWING CONTAINS A PROPRIETARY DESIGN ASSIGNED TO SPIRA INTERNATIONAL, INC. ALL RIGHTS TO DUPLICATE, TRANSFER OR SELL THIS DESIGN ARE EXPRESSLY RESERVED. THE BUYER IS LICENSED TO BUILD ONE ASSEMBLY FROM THESE PLANS.

REVISIONS				
ZONE	LTR	DESCRIPTION	DATE	APPROVED
	A	UPDATED TO NEW FORMAT	08/29/08	JJS



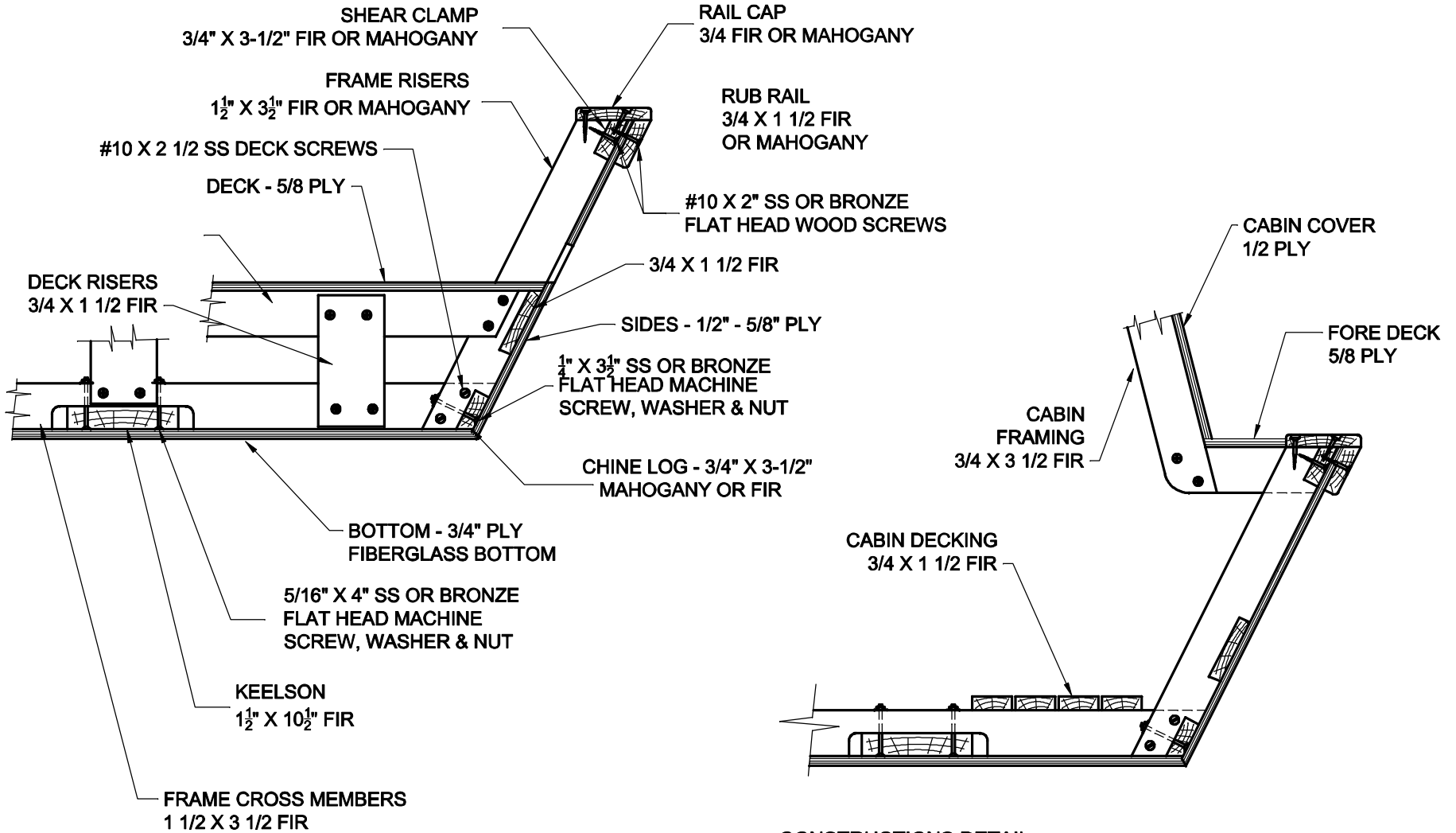
Spira International, Inc. <i>Huntington Beach, California</i>	
BAHAMAN 27' CAROLINA DORY	
DRAWN BY: J. SPIRA	DATE: 02/16/04
DRAWING NO. BAHA01	
SCALE 1/2" = 1'	SHEET OF

NOTICE

THIS DRAWING CONTAINS A PROPRIETARY DESIGN ASSIGNED TO SPIRA INTERNATIONAL, INC. ALL RIGHTS TO DUPLICATE, TRANSFER OR SELL THIS DESIGN ARE EXPRESSLY RESERVED. THE BUYER IS LICENSED TO BUILD ONE ASSEMBLY FROM THESE PLANS.

REVISIONS

ZONE	LTR	DESCRIPTION	DATE	APPROVED
	A	UPDATED TO NEW FORMAT	08/29/08	JJS



CONSTRUCTIONS DETAIL

TYPICAL AT AFT SECTION
NOT TO SCALE

CONSTRUCTIONS DETAIL

TYPICAL AT CABIN
NOT TO SCALE

Spira International, Inc.
Huntington Beach, California

BAHAMAN
27' CAROLINA DORY

DRAWN BY: J. SPIRA	DATE: 02/16/04	DRAWING NO. BAHA04
-----------------------	-------------------	-----------------------

SCALE 1/2" = 1'

SHEET OF