

4

3

2

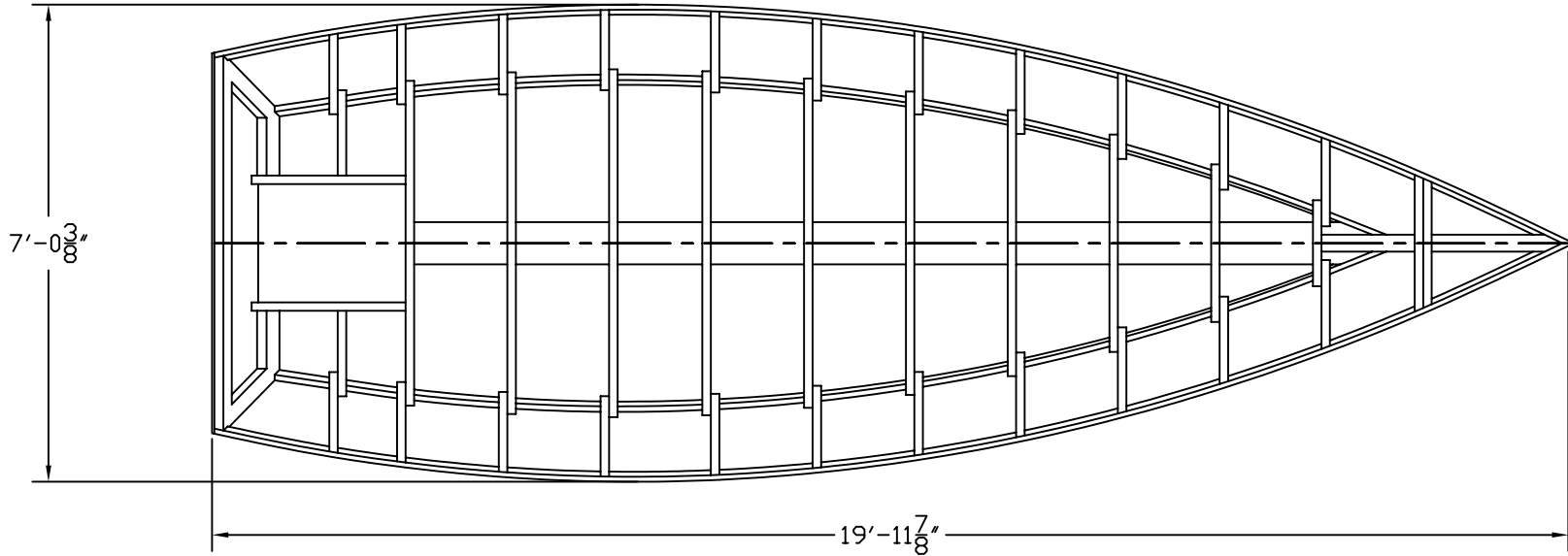
1

NOTICE
 THIS DRAWING CONTAINS A PROPRIETARY DESIGN ASSIGNED TO SPIRA INTERNATIONAL, INC. ALL RIGHTS TO DUPLICATE, TRANSFER OR SELL THIS DESIGN ARE EXPRESSLY RESERVED. THE BUYER IS LICENSED TO BUILD ONE ASSEMBLY FROM THESE PLANS.

REVISIONS				
ZONE	LTR	DESCRIPTION	DATE YR/MO/DA	APPROVED

D

D

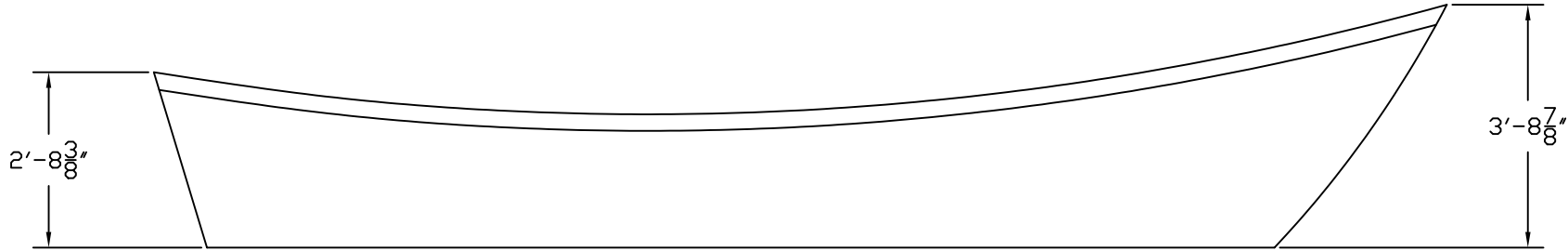


C

C

B

B



A

A

CALADESI

GENERAL ARRANGEMENT SHOWING FRAMES AND PLANKING
 DECKING & CONSOLE OMITTED FOR CLARITY

Spira International, Inc.
 Huntington Beach, California

CALADESI 20' CAROLINA DORY

DRAWN BY: J. SPIRA	DATE: 2/08/04	DRAWING NO. CALA01
-----------------------	------------------	-----------------------

SCALE 3/4" = 1' SHEET OF

4

3

2

1

4

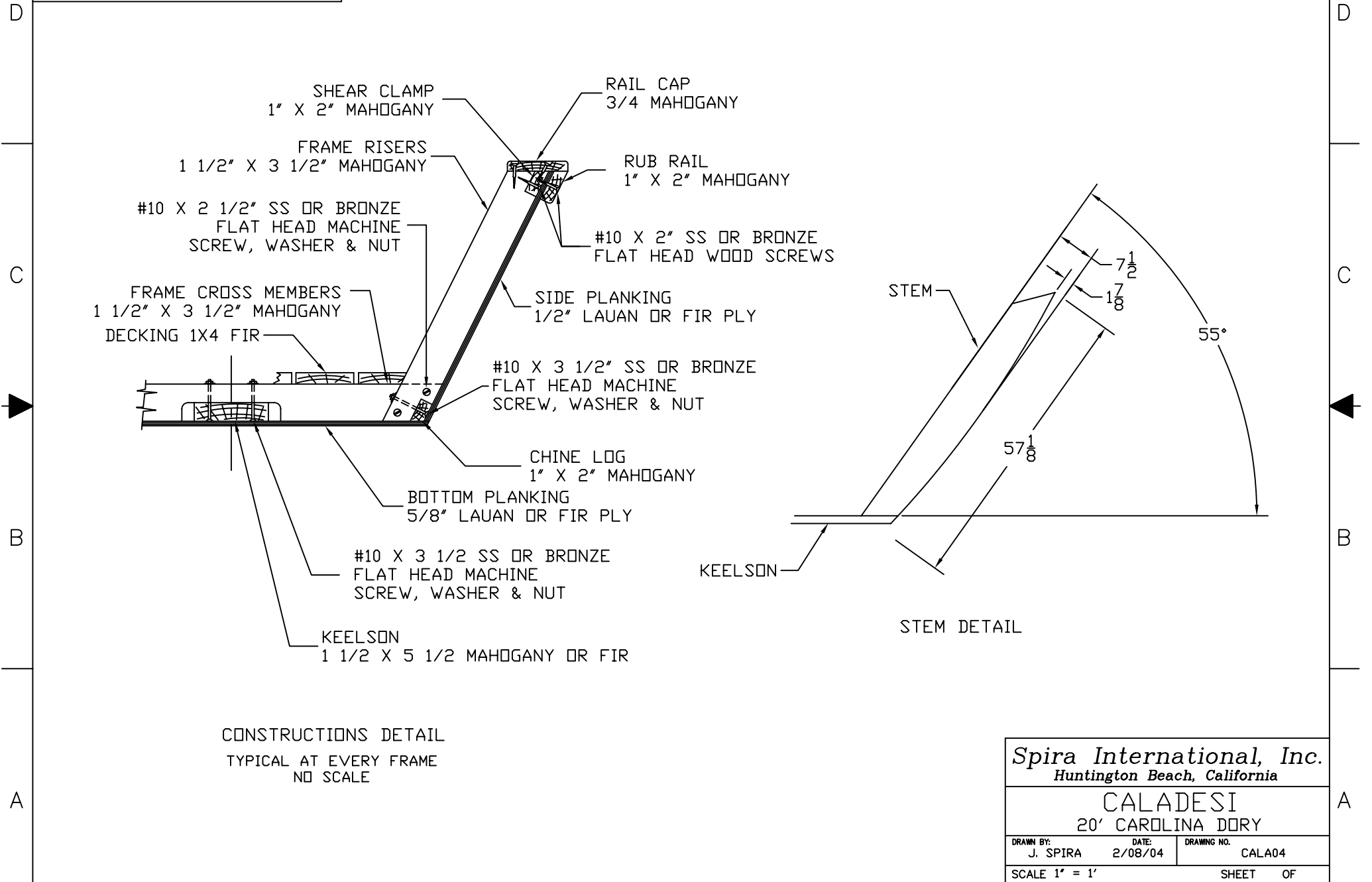
3

2

1

NOTICE
 THIS DRAWING CONTAINS A PROPRIETARY DESIGN ASSIGNED TO SPIRA INTERNATIONAL, INC. ALL RIGHTS TO DUPLICATE, TRANSFER OR SELL THIS DESIGN ARE EXPRESSLY RESERVED. THE BUYER IS LICENSED TO BUILD ONE ASSEMBLY FROM THESE PLANS.

REVISIONS				
ZONE	LTR	DESCRIPTION	DATE YR/MO/DA	APPROVED



SHEAR CLAMP
 1" X 2" MAHOGANY

RAIL CAP
 3/4 MAHOGANY

FRAME RISERS
 1 1/2" X 3 1/2" MAHOGANY

RUB RAIL
 1" X 2" MAHOGANY

#10 X 2 1/2" SS OR BRONZE
 FLAT HEAD MACHINE
 SCREW, WASHER & NUT

#10 X 2" SS OR BRONZE
 FLAT HEAD WOOD SCREWS

FRAME CROSS MEMBERS
 1 1/2" X 3 1/2" MAHOGANY
 DECKING 1X4 FIR

SIDE PLANKING
 1/2" LAUAN OR FIR PLY

#10 X 3 1/2" SS OR BRONZE
 FLAT HEAD MACHINE
 SCREW, WASHER & NUT

STEM

7 1/2
 7/8

55°

CHINE LOG
 1" X 2" MAHOGANY

57 1/8

BOTTOM PLANKING
 5/8" LAUAN OR FIR PLY

KEELSON

#10 X 3 1/2 SS OR BRONZE
 FLAT HEAD MACHINE
 SCREW, WASHER & NUT

STEM DETAIL

KEELSON
 1 1/2 X 5 1/2 MAHOGANY OR FIR

CONSTRUCTIONS DETAIL
 TYPICAL AT EVERY FRAME
 NO SCALE

Spira International, Inc.
 Huntington Beach, California

CALADESI
 20' CAROLINA DORY

DRAWN BY: J. SPIRA	DATE: 2/08/04	DRAWING NO. CALA04
SCALE 1" = 1'		SHEET OF

4

3

2

1