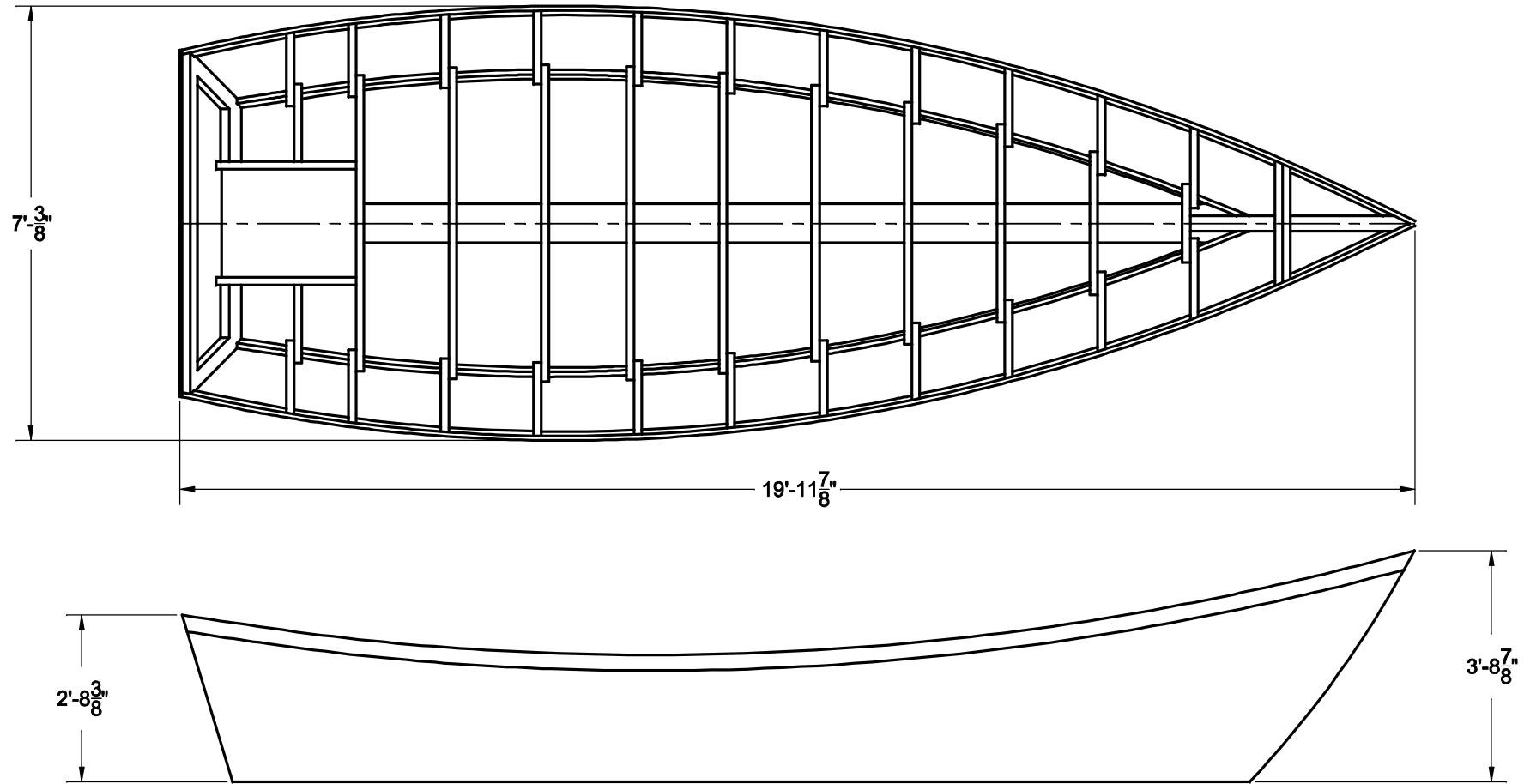


NOTICE
 THIS DRAWING CONTAINS A PROPRIETARY DESIGN ASSIGNED TO SPIRA INTERNATIONAL, INC. ALL RIGHTS TO DUPLICATE, TRANSFER OR SELL THIS DESIGN ARE EXPRESSLY RESERVED. THE BUYER IS LICENSED TO BUILD ONE ASSEMBLY FROM THESE PLANS.

REVISIONS				
ZONE	LTR	DESCRIPTION	DATE	APPROVED
	A	UPDATED TO NEW FORMAT	09/07/08	JJS



CALADESI

GENERAL ARRANGEMENT SHOWING FRAMES AND PLANKING
 DECKING & CONSOLE OMITTED FOR CLARITY

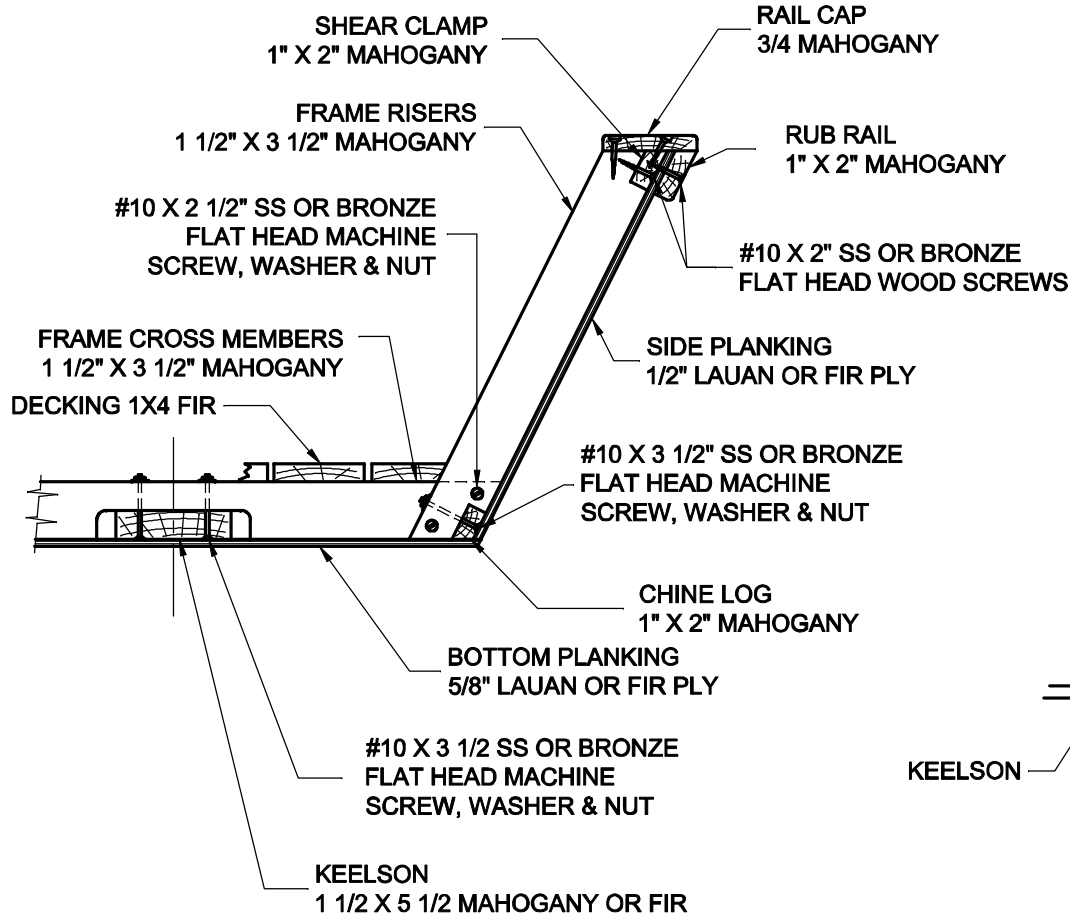
<i>Spira International, Inc.</i> Huntington Beach, California		
CALADESI 20' CAROLINA DORY		
DRAWN BY: J. SPIRA	DATE: 2/08/04	DRAWING NO. CALA01
SCALE 3/4" = 1'		SHEET OF

NOTICE

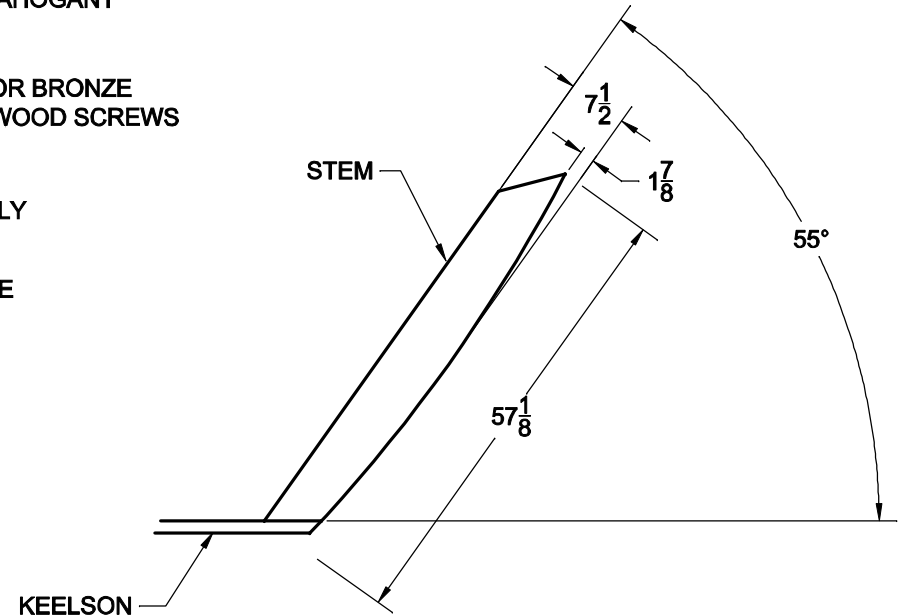
THIS DRAWING CONTAINS A PROPRIETARY DESIGN ASSIGNED TO SPIRA INTERNATIONAL, INC. ALL RIGHTS TO DUPLICATE, TRANSFER OR SELL THIS DESIGN ARE EXPRESSLY RESERVED. THE BUYER IS LICENSED TO BUILD ONE ASSEMBLY FROM THESE PLANS.

REVISIONS

ZONE	LTR	DESCRIPTION	DATE	APPROVED
	A	UPDATED TO NEW FORMAT	09/07/08	JJS



CONSTRUCTIONS DETAIL
TYPICAL AT EVERY FRAME
NO SCALE



STEM DETAIL

Spira International, Inc.
Huntington Beach, California

CALADESI
20' CAROLINA DORY

DRAWN BY: J. SPIRA DATE: 2/08/04 DRAWING NO. CALA04

SCALE 1" = 1'

SHEET OF