

4

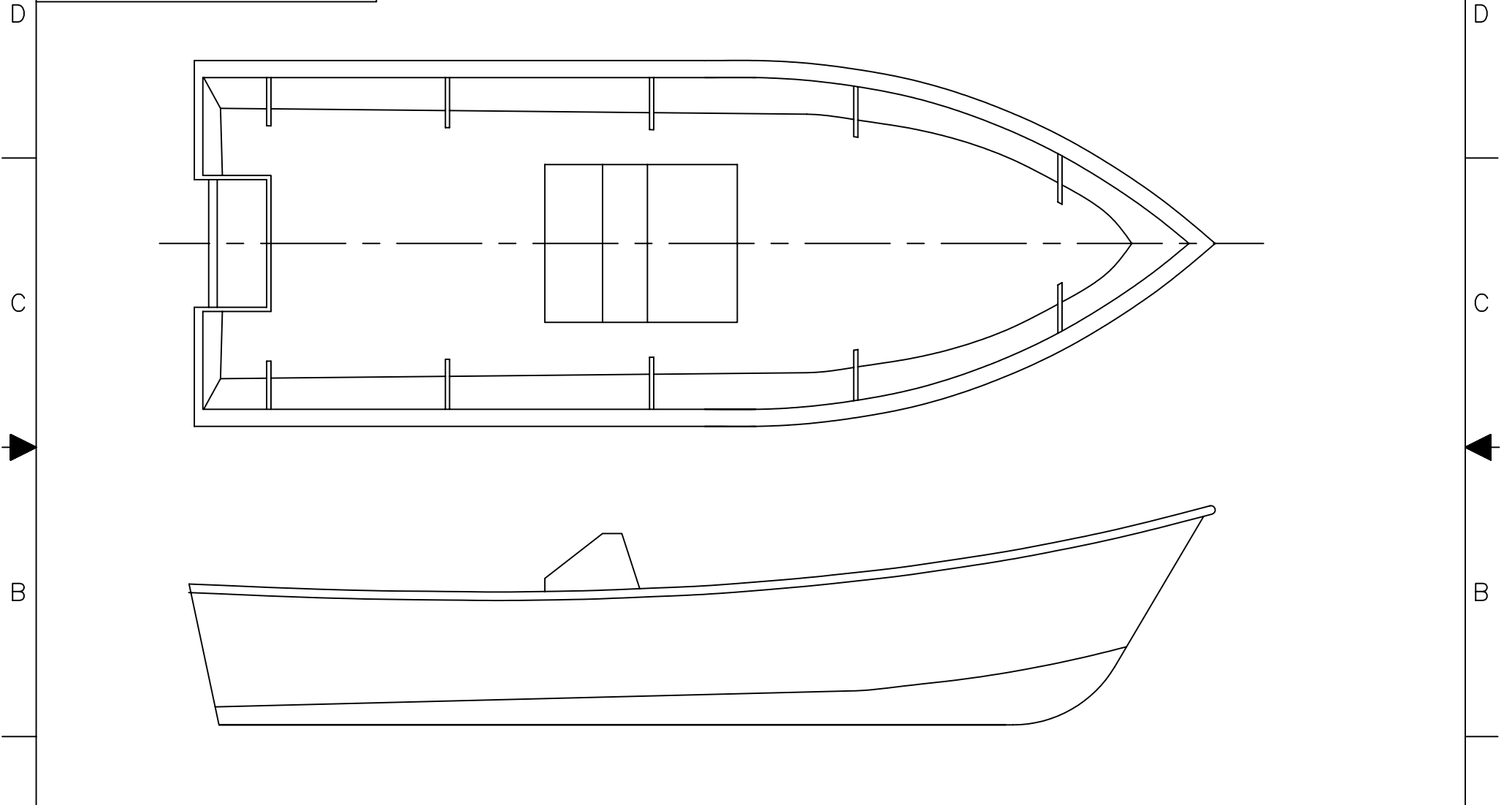
3

2

1

NOTICE  
 THIS DRAWING CONTAINS A PROPRIETARY DESIGN ASSIGNED TO SPIRA INTERNATIONAL, INC. ALL RIGHTS TO DUPLICATE, TRANSFER OR SELL THIS DESIGN ARE EXPRESSLY RESERVED. THE BUYER IS LICENSED TO BUILD ONE ASSEMBLY FROM THESE PLANS.

REVISIONS				
ZONE	LTR	DESCRIPTION	DATE YR/MO/DA	APPROVED



CALIFORNIAN	
LENGTH	20' 0"
BEAM	7' 4"
FREEBOARD	42"

*Spira International, Inc.*  
 Huntington Beach, California

**CALIFORNIAN**  
 VEE BOTTOM FISHING BOAT

DRAWN BY: J. SPIRA	DATE: 000301	DRAWING NO. CALI01
SCALE 3/4" = 1'		SHEET OF

4

3

2

1

4

3

2

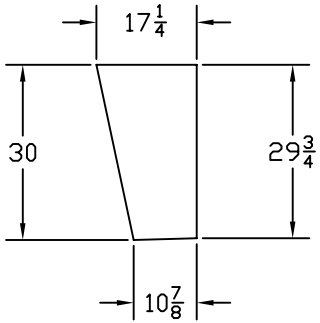
1

NOTICE  
 THIS DRAWING CONTAINS A PROPRIETARY DESIGN ASSIGNED TO SPIRA INTERNATIONAL, INC. ALL RIGHTS TO DUPLICATE, TRANSFER OR SELL THIS DESIGN ARE EXPRESSLY RESERVED. THE BUYER IS LICENSED TO BUILD ONE ASSEMBLY FROM THESE PLANS.

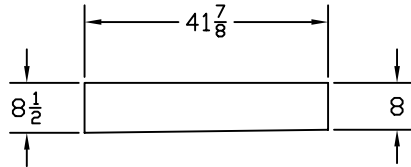
REVISIONS				
ZONE	LTR	DESCRIPTION	DATE YR/MO/DA	APPROVED

D

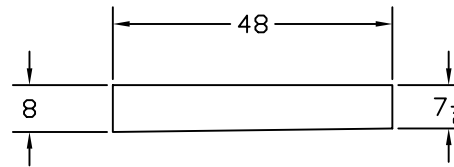
D



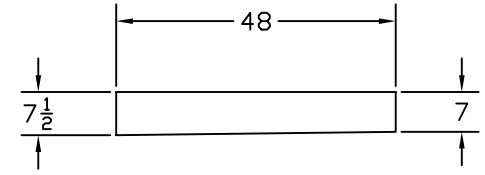
STRINGER 1  
 2 REQ'D - 3/4 PLY



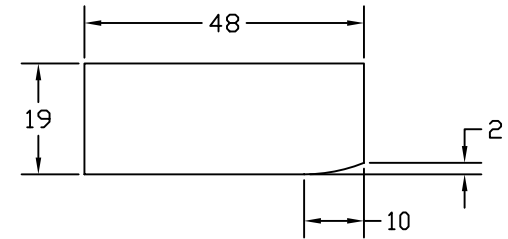
STRINGER 2  
 2 REQ'D - 3/4 PLY



STRINGER 3  
 2 REQ'D - 3/4 PLY



STRINGER 4  
 2 REQ'D - 3/4 PLY



STRINGER 5  
 1 REQ'D - 3/4 PLY

C

C

B

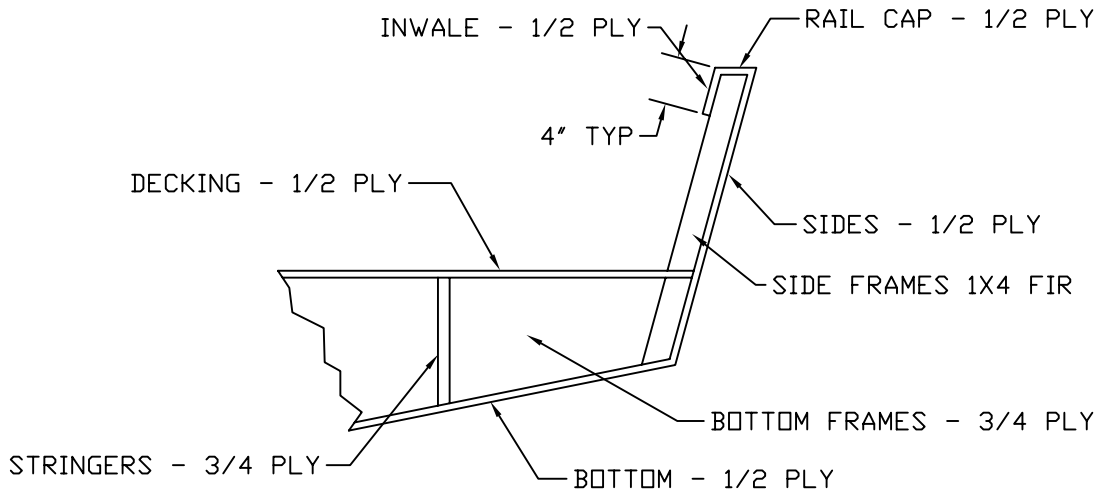
B

B

B

A

A



TYPICAL CONSTRUCTION METHOD

**Spira International, Inc.**  
 Huntington Beach, California

**CALIFORNIAN  
 FRAMING DETAILS**

DRAWN BY: J. SPIRA	DATE: 000301	DRAWING NO. CALI04
-----------------------	-----------------	-----------------------

SCALE 3/4" = 1' SHEET OF

4

3

2

1