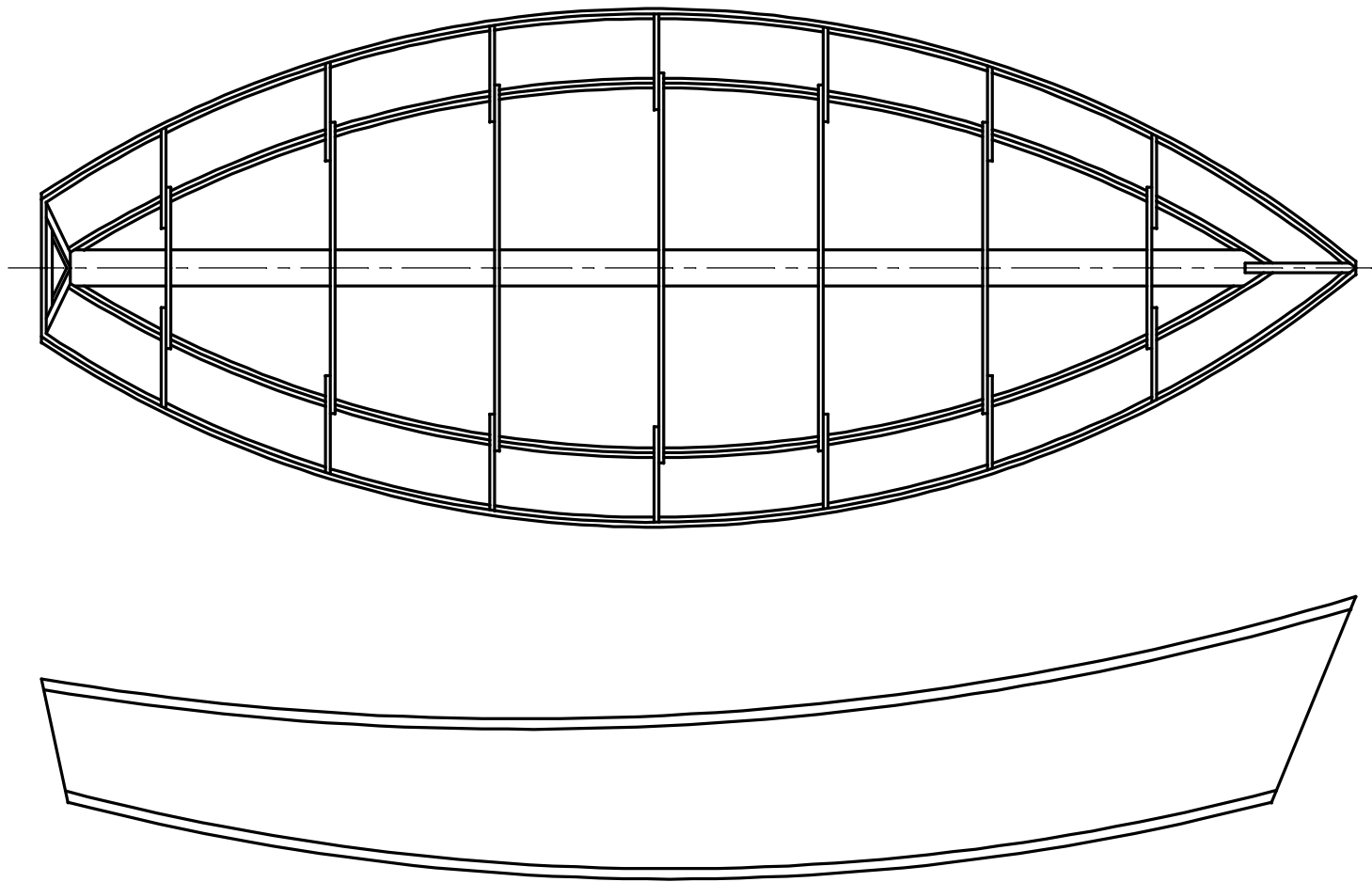


NOTICE  
 THIS DRAWING CONTAINS A PROPRIETARY DESIGN ASSIGNED TO SPIRA INTERNATIONAL, INC. ALL RIGHTS TO DUPLICATE, TRANSFER OR SELL THIS DESIGN ARE EXPRESSLY RESERVED. THE BUYER IS LICENSED TO BUILD ONE ASSEMBLY FROM THESE PLANS.

REVISIONS				
ZONE	LTR	DESCRIPTION	DATE	APPROVED
	B	UPDATED TO NEW FORMAT	09/10/08	JJS



SPECIFICATIONS	
LENGTH	14' 0"
BEAM	5' 9"
HEIGHT	2' 6"
DRAFT	0' 4"
WEIGHT	150 LBS

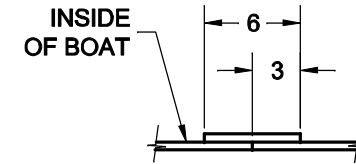
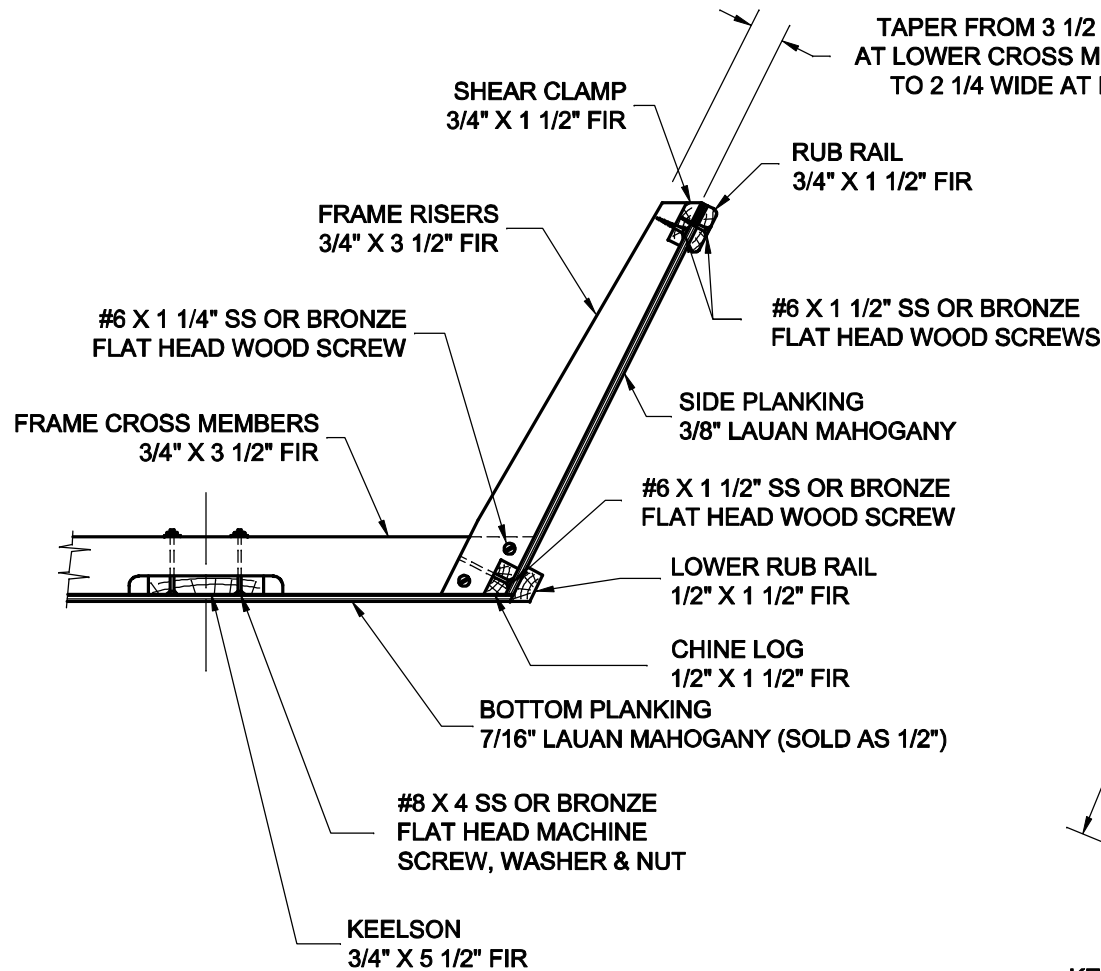
<b>Spira International, Inc.</b> <i>Huntington Beach, California</i>		
<b>CANADIAN</b> 14' DRIFT BOAT		
DRAWN BY: J. SPIRA	DATE: 09/04/01	DRAWING NO. CANA01
SCALE 1" = 1'		SHEET OF

**NOTICE**

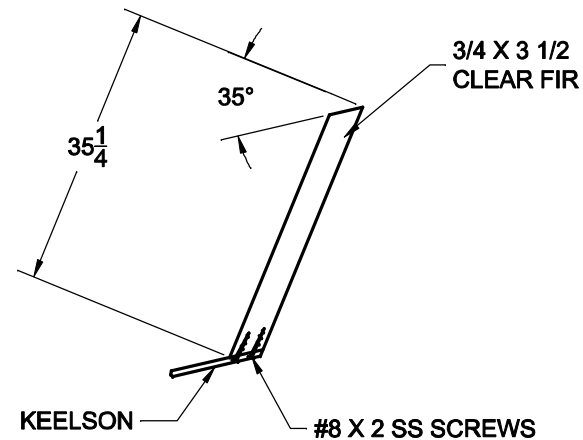
THIS DRAWING CONTAINS A PROPRIETARY DESIGN ASSIGNED TO SPIRA INTERNATIONAL, INC. ALL RIGHTS TO DUPLICATE, TRANSFER OR SELL THIS DESIGN ARE EXPRESSLY RESERVED. THE BUYER IS LICENSED TO BUILD ONE ASSEMBLY FROM THESE PLANS.

**REVISIONS**

ZONE	LTR	DESCRIPTION	DATE	APPROVED
	A	UPDATED TO NEW FORMAT	09/10/08	JJS



BUTT BLOCK DETAIL FOR ALL PLYWOOD SEAMS  
SCALE 2" = 1'



STEM DETAILS

CONSTRUCTION METHOD

TYPICAL AT ALL FRAMES  
NO SCALE

<b>Spira International, Inc.</b> <i>Huntington Beach, California</i>		
<b>CANADIAN CONSTRUCTION DETAILS</b>		
DRAWN BY: J. SPIRA	DATE: 09/05/00	DRAWING NO. CANA04
SCALE 1" = 1' & NOTED		SHEET OF