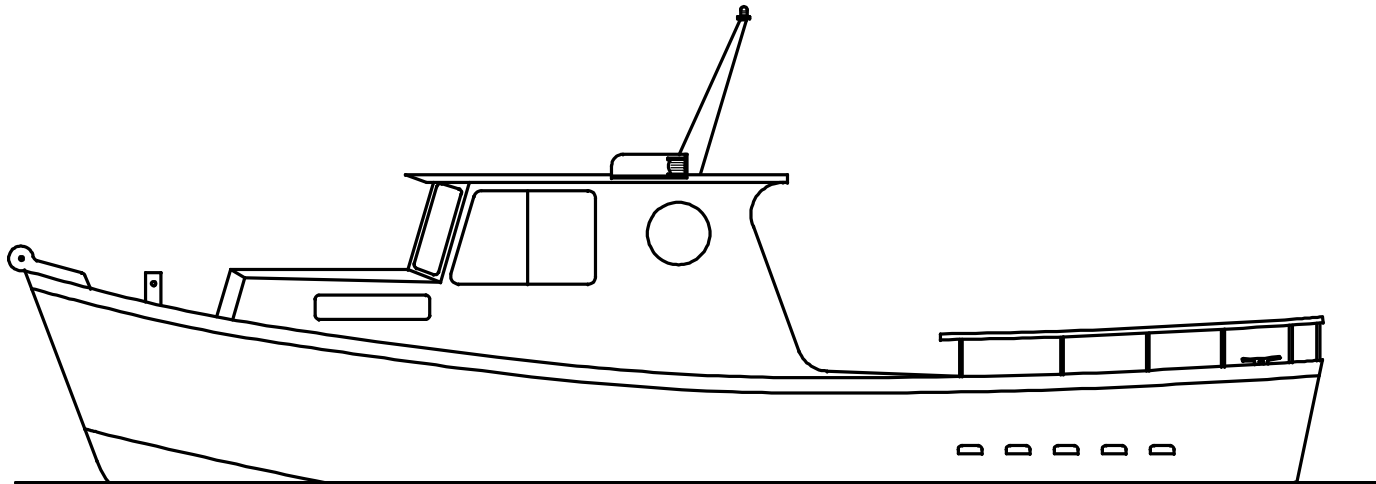
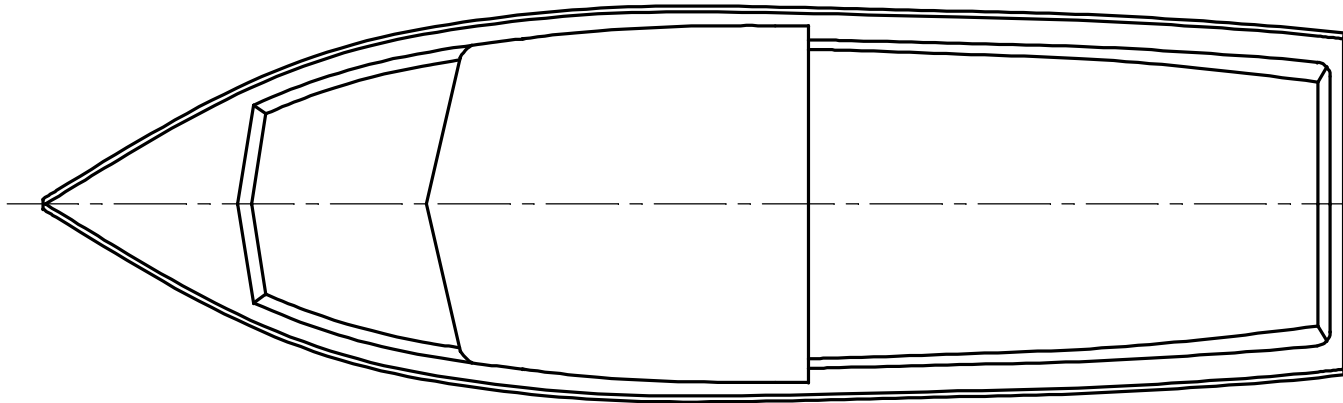


NOTICE

THIS DRAWING CONTAINS A PROPRIETARY DESIGN ASSIGNED TO SPIRA INTERNATIONAL, INC. ALL RIGHTS TO DUPLICATE, TRANSFER OR SELL THIS DESIGN ARE EXPRESSLY RESERVED. THE BUYER IS LICENSED TO BUILD ONE ASSEMBLY FROM THESE PLANS.

REVISIONS

ZONE	LTR	DESCRIPTION	DATE	APPROVED
	A	UPDATED TO NEW FORMAT	09/12/08	JJS



Spira International, Inc.
Huntington Beach, California

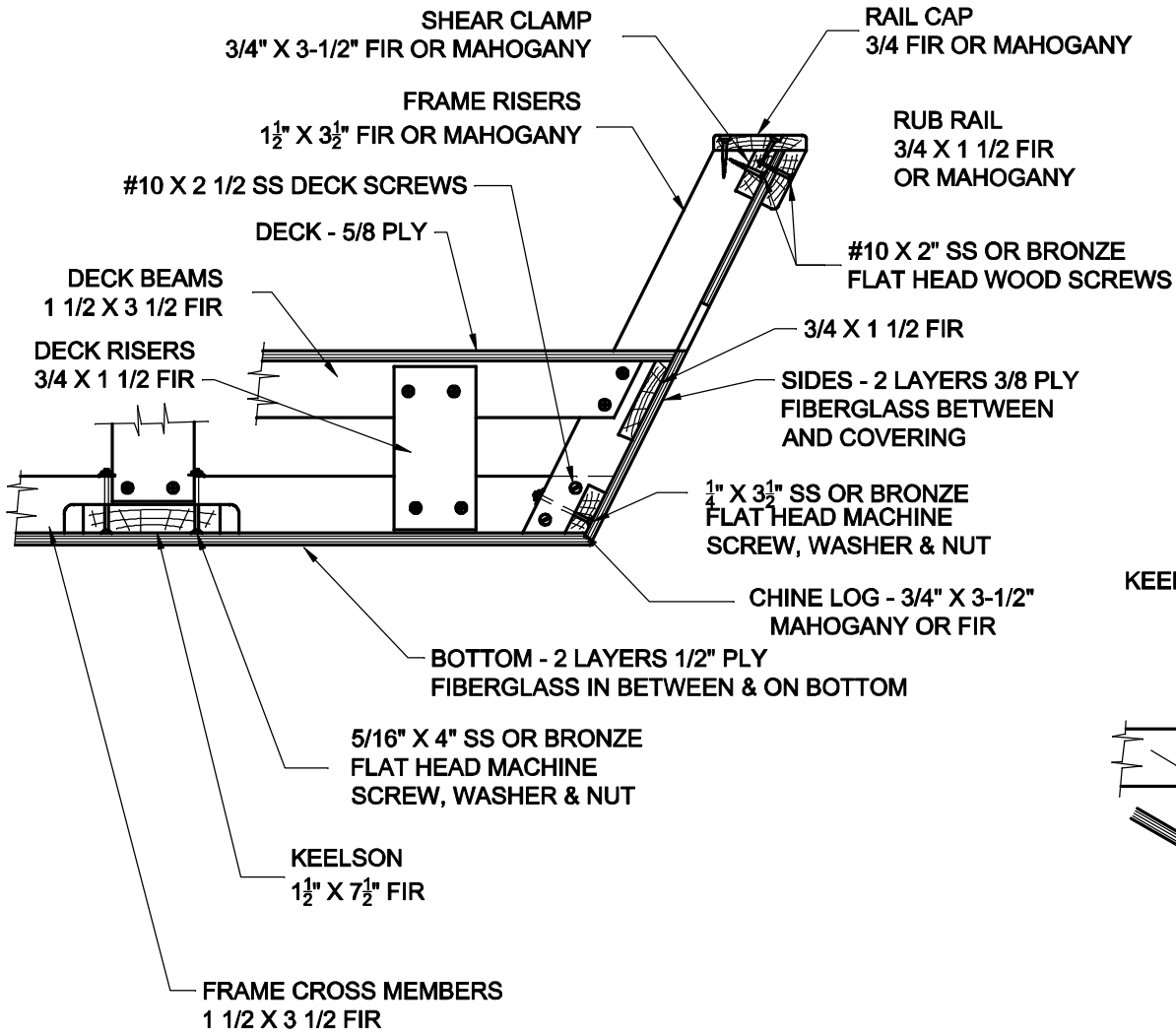
CHUBASCO
27' MULLET SKIFF

DRAWN BY: JJS	DATE: 02/23/04	DRAWING NO. CHUB01
SCALE 1/2" = 1'		SHEET OF

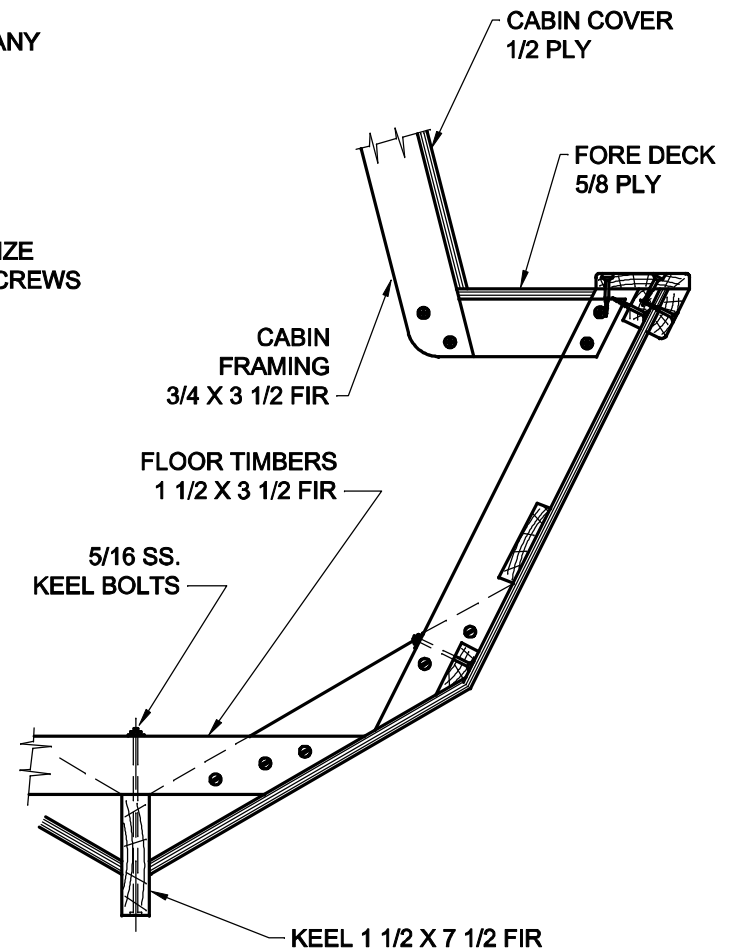
NOTICE

THIS DRAWING CONTAINS A PROPRIETARY DESIGN ASSIGNED TO SPIRA INTERNATIONAL, INC. ALL RIGHTS TO DUPLICATE, TRANSFER OR SELL THIS DESIGN ARE EXPRESSLY RESERVED. THE BUYER IS LICENSED TO BUILD ONE ASSEMBLY FROM THESE PLANS.

REVISIONS				
ZONE	LTR	DESCRIPTION	DATE	APPROVED
	A	UPDATED TO NEW FORMAT	09/13/08	JJS



CONSTRUCTION DETAIL
TYPICAL AT AFT SECTION
NO SCALE



FORWARD SECTIONS
VEE BOTTOM CONSTRUCTION
NO SCALE

Spira International, Inc.
Huntington Beach, California

CHUBASCO
27' MULLET SKIFF

DRAWN BY: J. SPIRA	DATE: 10/14/04	DRAWING NO. CHUB04
SCALE 1/2" = 1' & NOTED		SHEET OF