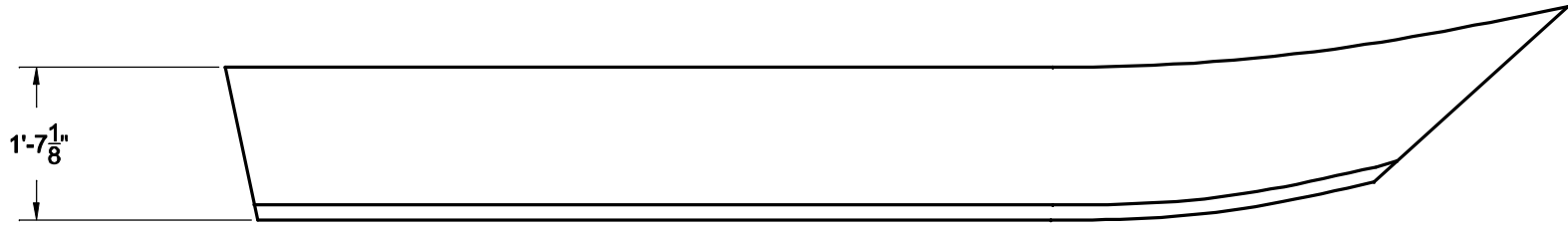
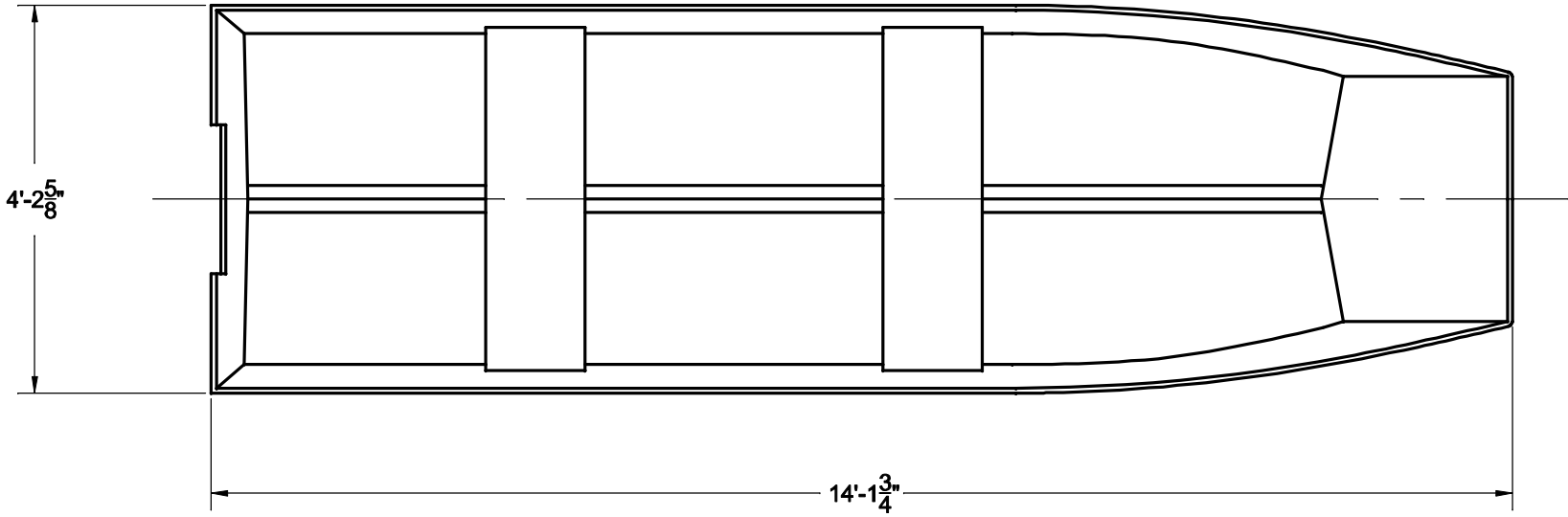


NOTICE  
 THIS DRAWING CONTAINS A PROPRIETARY DESIGN ASSIGNED TO SPIRA INTERNATIONAL, INC. ALL RIGHTS TO DUPLICATE, TRANSFER OR SELL THIS DESIGN ARE EXPRESSLY RESERVED. THE BUYER IS LICENSED TO BUILD ONE ASSEMBLY FROM THESE PLANS.

REVISIONS				
ZONE	LTR	DESCRIPTION	DATE	APPROVED



**Spira International, Inc.**  
*Huntington Beach, California*

**CRAWDAD**  
 SEMI-VEE JON BOAT

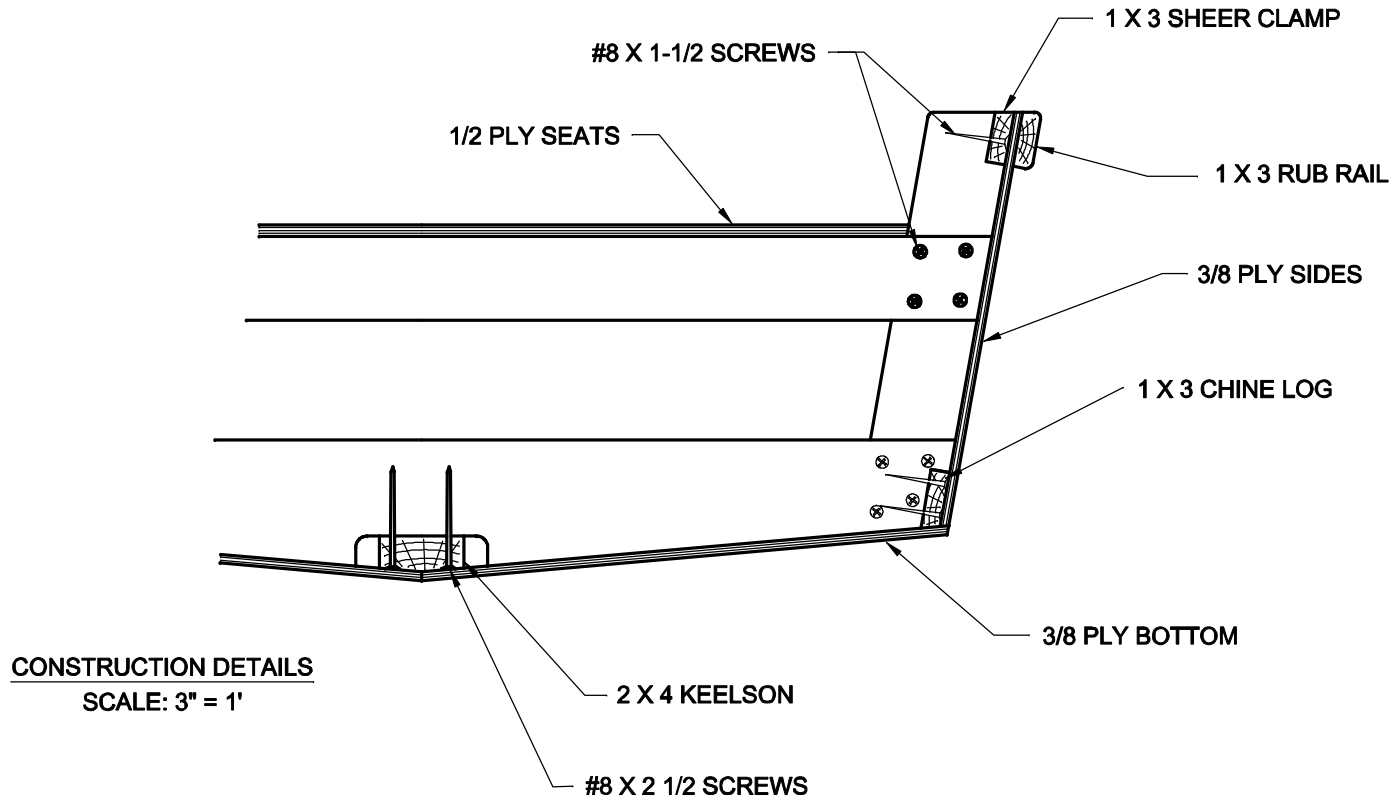
DRAWN BY: J. SPIRA	DATE: 04/12/08	DRAWING NO. CRAW01
SCALE 1" = 1'		SHEET OF

**NOTICE**

THIS DRAWING CONTAINS A PROPRIETARY DESIGN ASSIGNED TO SPIRA INTERNATIONAL, INC. ALL RIGHTS TO DUPLICATE, TRANSFER OR SELL THIS DESIGN ARE EXPRESSLY RESERVED. THE BUYER IS LICENSED TO BUILD ONE ASSEMBLY FROM THESE PLANS.

**REVISIONS**

ZONE	LTR	DESCRIPTION	DATE	APPROVED



**CONSTRUCTION DETAILS**  
SCALE: 3" = 1'

**BILL OF MATERIALS**

32' 1X4 FIR FOR FRAMES  
 16' 1X6 FIR FOR FRAMES  
 12' 2X6 FIR FOR TRANSOMS  
 27' 2X4 FIR FOR TRANSOMS & KEELSON  
 1/2 SHEET 1/2" PLY FOR SEATS  
 1/2 SHEET 5/8" PLY FOR TRANSOMS  
 4 SHEETS 3/8" PLY FOR PLANKING  
 84' 1X3 FIR FOR LONGITUDINALS

100 #8 X 1-1/2 SCREWS FOR FRAMING  
 25 #8 X 2-1/2 SCREWS FOR KEELSON  
 2 LB BOAT NAILS FOR PLANKING  
 2 QUARTS EPOXY

*Spira International, Inc.*  
 Huntington Beach, California

**CRAWDAD**  
 SEMI-VEE JON BOAT

DRAWN BY: J. SPIRA	DATE: 04/12/08	DRAWING NO. CRAW02
SCALE 1" = 1'		SHEET OF