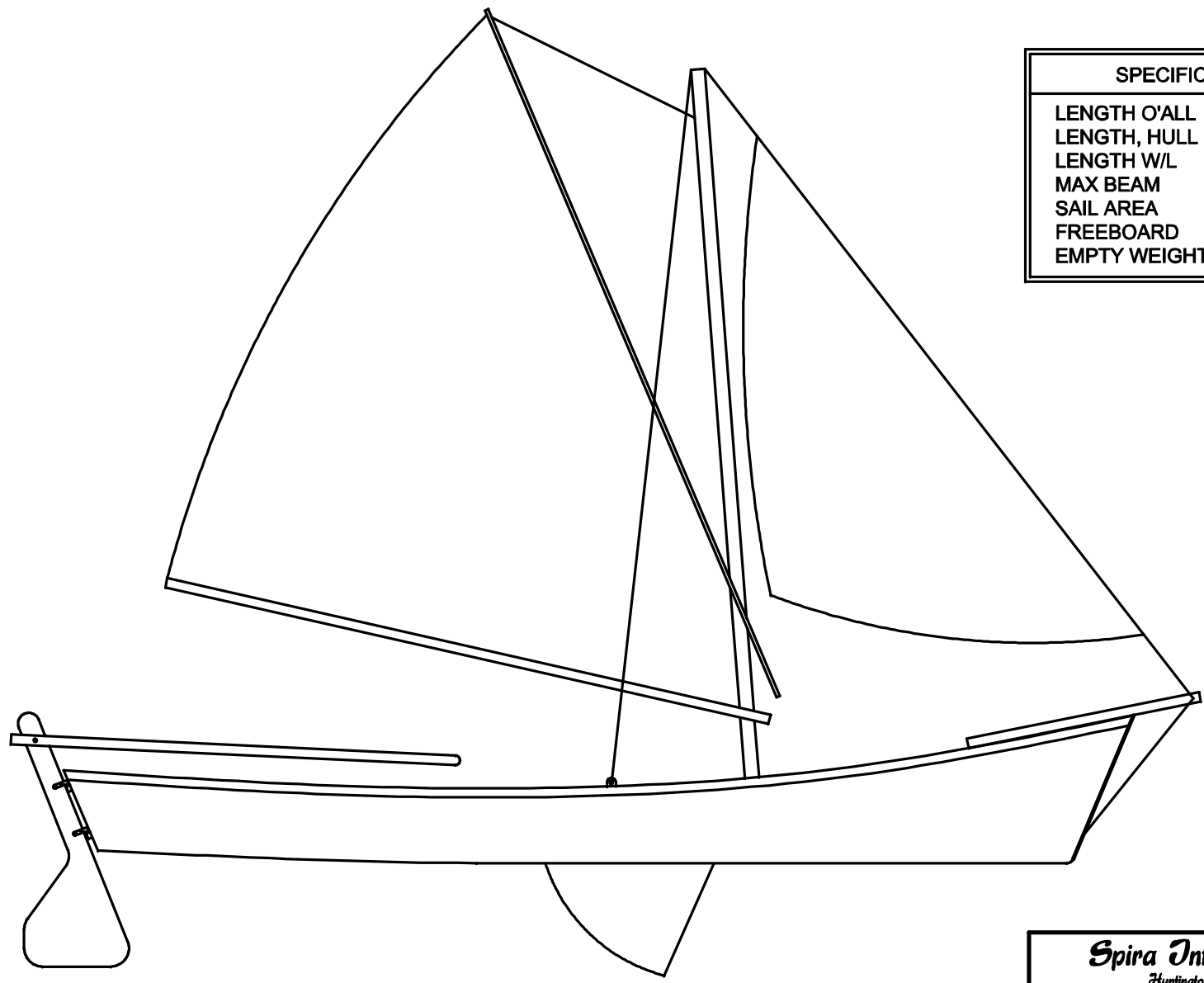


NOTICE
 THIS DRAWING CONTAINS A PROPRIETARY DESIGN ASSIGNED TO SPIRA INTERNATIONAL, INC. ALL RIGHTS TO DUPLICATE, TRANSFER OR SELL THIS DESIGN ARE EXPRESSLY RESERVED. THE BUYER IS LICENSED TO BUILD ONE ASSEMBLY FROM THESE PLANS.

REVISIONS				
ZONE	LTR	DESCRIPTION	DATE	APPROVED

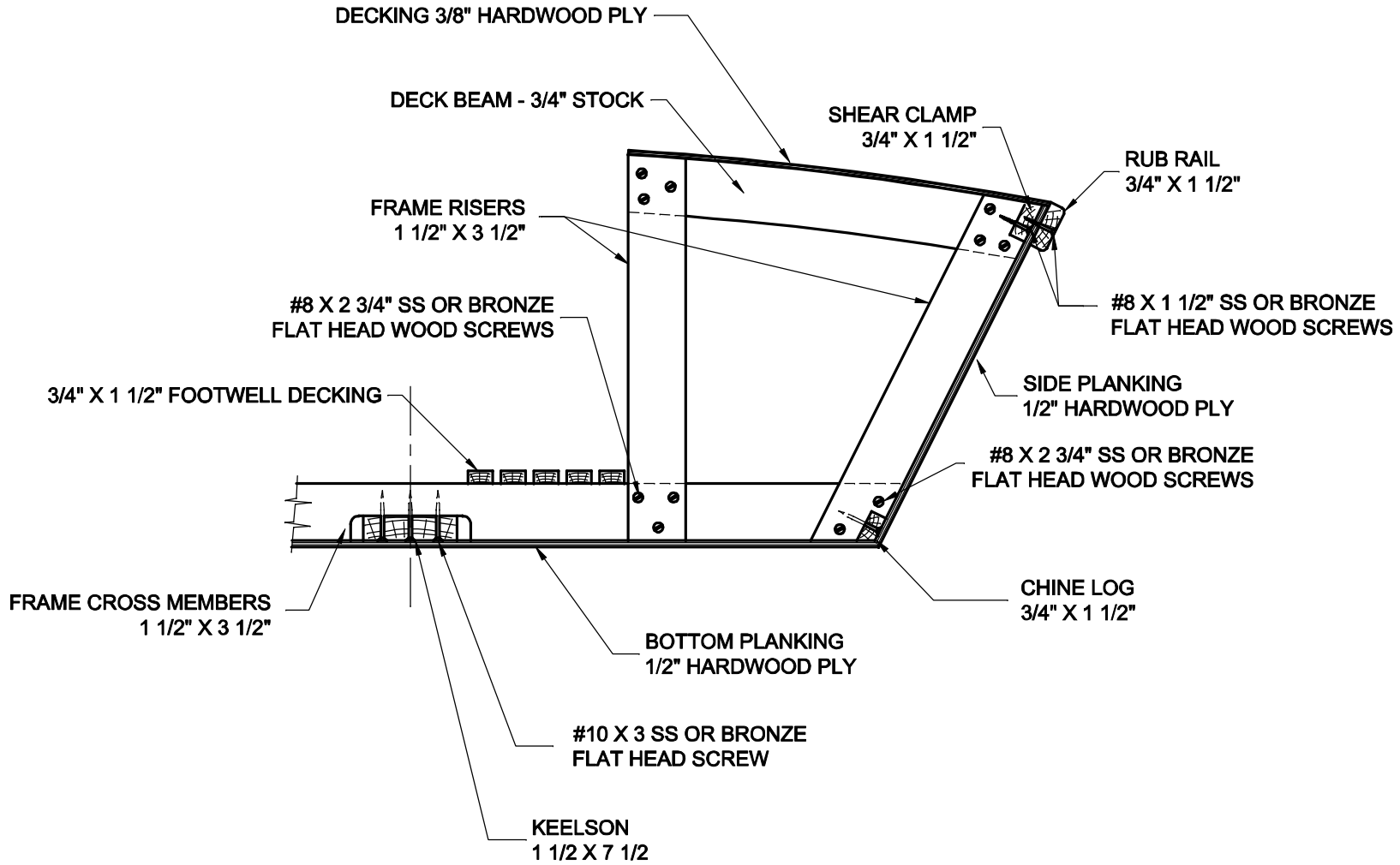
SPECIFICATIONS	
LENGTH O'ALL	30' 0"
LENGTH, HULL	26' 11"
LENGTH W/L	24' 7"
MAX BEAM	8' 6"
SAIL AREA	236 SQ. FT
FREEBOARD	1' 10"
EMPTY WEIGHT	2080 LBS



Spira International, Inc. <i>Huntington Beach, California</i>		
ELEUTHERA 27' SAILING SHARPIE		
DRAWN BY: J. SPIRA	DATE: 12/15/08	DRAWING NO. ELEU01
SCALE 1/2" = 1'		SHEET OF

NOTICE
 THIS DRAWING CONTAINS A PROPRIETARY DESIGN ASSIGNED TO SPIRA INTERNATIONAL, INC. ALL RIGHTS TO DUPLICATE, TRANSFER OR SELL THIS DESIGN ARE EXPRESSLY RESERVED. THE BUYER IS LICENSED TO BUILD ONE ASSEMBLY FROM THESE PLANS.

REVISIONS				
ZONE	LTR	DESCRIPTION	DATE	APPROVED



CONSTRUCTION METHOD

TYPICAL AT EACH FRAME
 SCALE: 1/5

Spira International, Inc.
 Huntington Beach, California

ELEUTHERA
 27' SAILING SHARPIE

DRAWN BY: J. SPIRA	DATE: 12/15/08	DRAWING NO. ELEU02
SCALE 1/2" = 1'		SHEET OF