

4

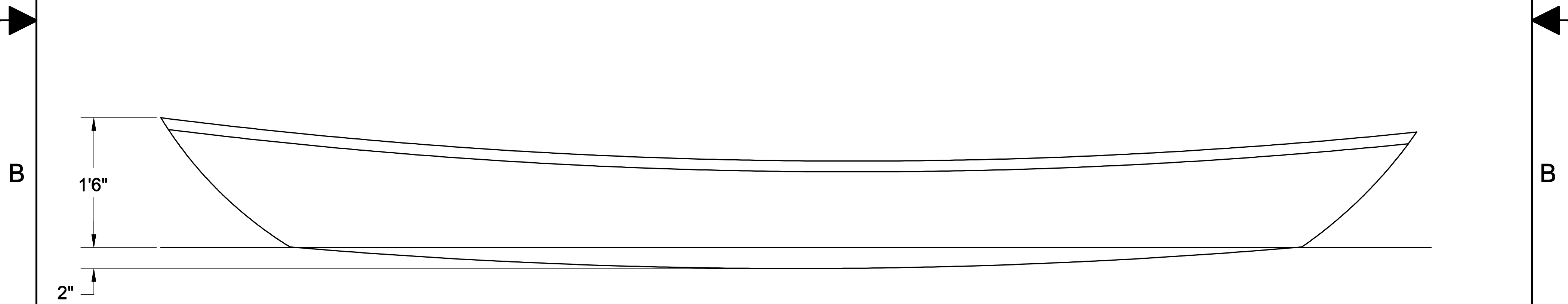
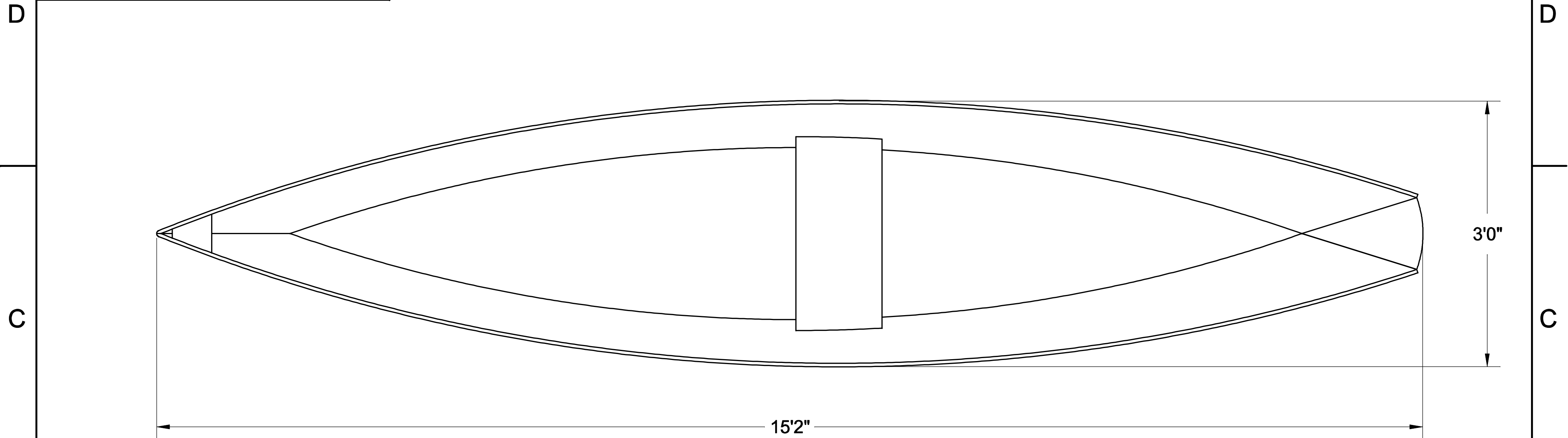
3

2

1

NOTICE
 THIS DRAWING CONTAINS A PROPRIETARY DESIGN ASSIGNED TO SPIRA INTERNATIONAL, INC. ALL RIGHTS TO DUPLICATE, TRANSFER OR SELL THIS DESIGN ARE EXPRESSLY RESERVED. THE BUYER IS LICENSED TO BUILD ONE ASSEMBLY FROM THESE PLANS.

REVISIONS				
ZONE	LTR	DESCRIPTION	DATE	APPROVED
	A	UPDATED TO NEW FORMAT	09/14/08	JJS



SPECIFICATIONS	
LENGTH	15' 2"
BEAM	3' 0"
HEIGHT	1' 6"
DRAFT	0' 2"
WEIGHT	46 LBS

Spira International, Inc.
Huntington Beach, California

GLOUSTERMAN
 15' ROWING DORY

DRAWN BY: J. SPIRA	DATE: 04/01/95	DRAWING NO. GLOU01
SCALE 1/10	SHEET OF	

4

3

2

1

A

A

B

B

C

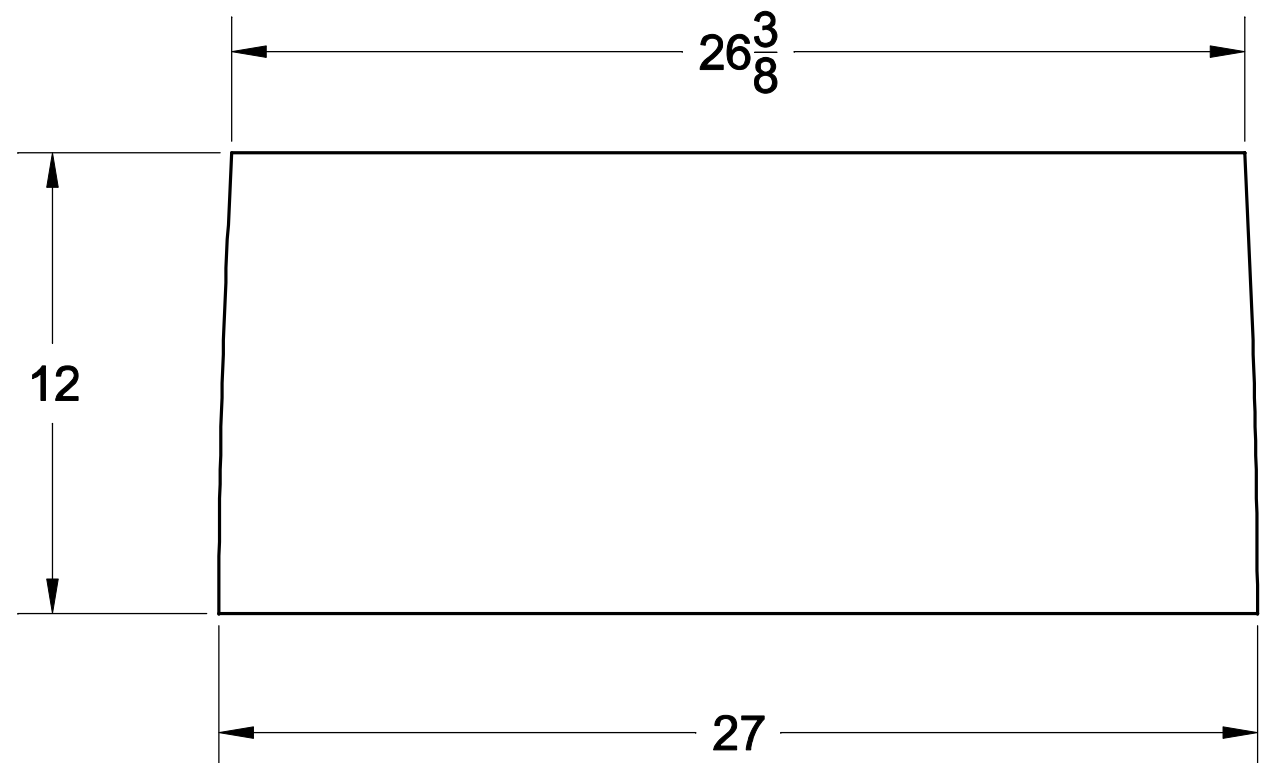
C

D

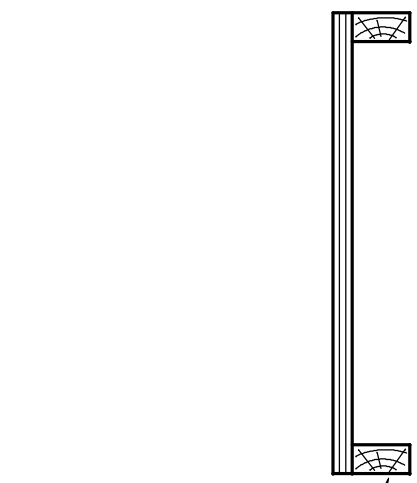
D

NOTICE
 THIS DRAWING CONTAINS A PROPRIETARY DESIGN ASSIGNED TO SPIRA INTERNATIONAL, INC. ALL RIGHTS TO DUPLICATE, TRANSFER OR SELL THIS DESIGN ARE EXPRESSLY RESERVED. THE BUYER IS LICENSED TO BUILD ONE ASSEMBLY FROM THESE PLANS.

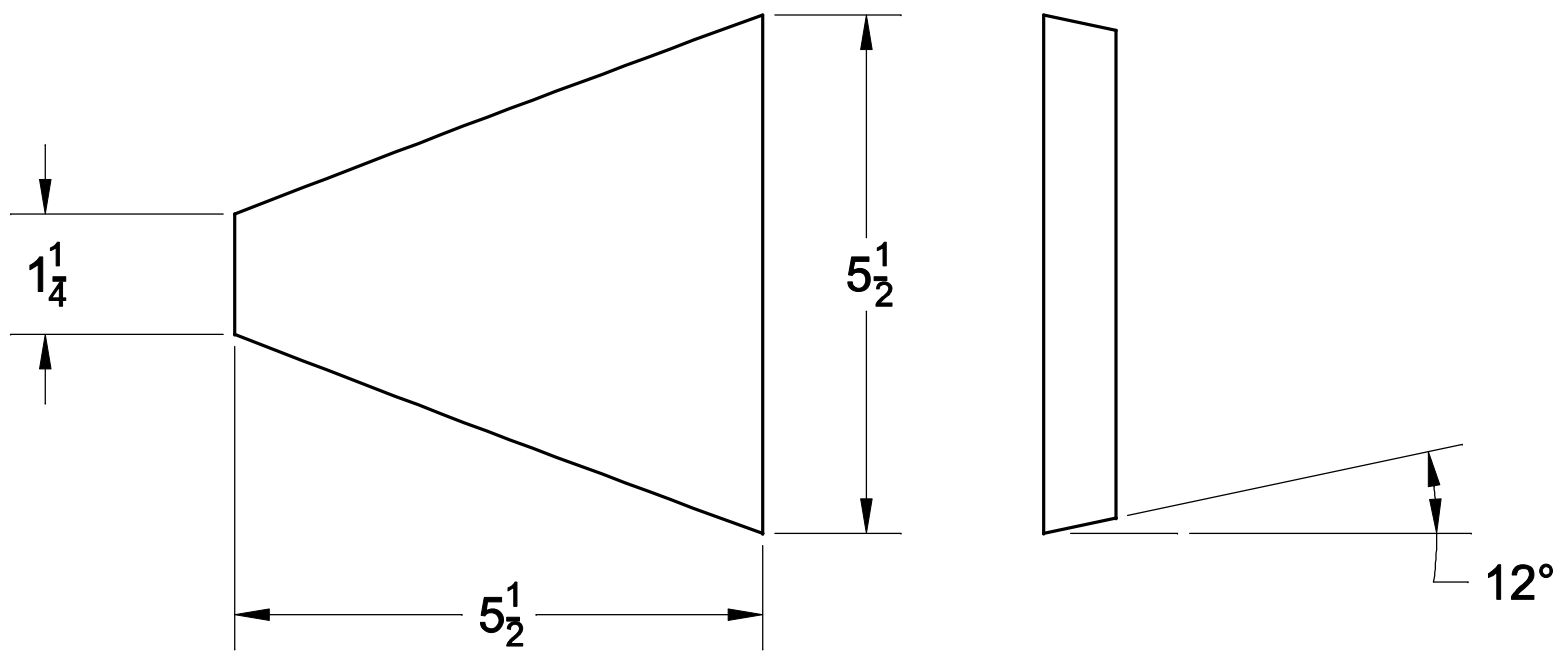
REVISIONS				
ZONE	LTR	DESCRIPTION	DATE	APPROVED
	A	UPDATED TO NEW FORMAT	09/14/08	JJS



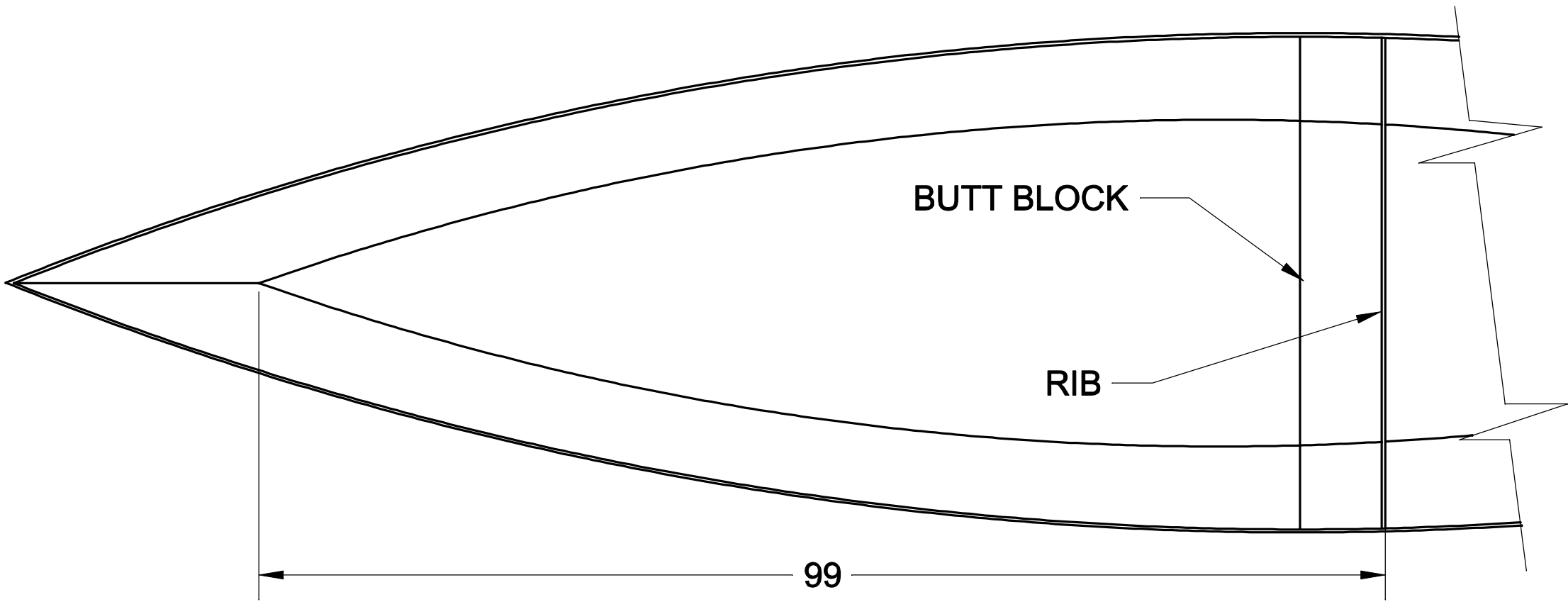
SEAT DETAIL
 MAKE FROM 1/2 ACX PLY
 SCALE: 1/5



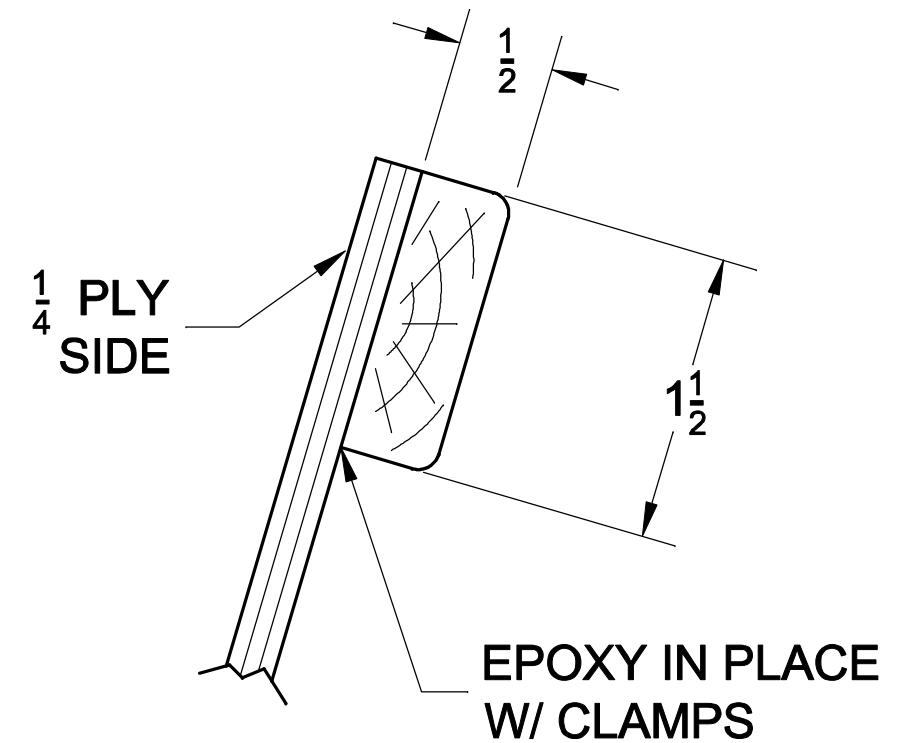
1 X 2 FIR



BREAST HOOK
 MAKE FROM 1X6 CLEAR FIR
 SCALE: 1/2



RIB PLACEMENT
 SCALE: 1/10



RUB RAIL DETAIL
 SCALE: FULL

Spira International, Inc.
Huntington Beach, California

GLOUSTERMAN
 15' ROWING DORY

DRAWN BY: J. SPIRA	DATE: 06/18/95	DRAWING NO. GLOU03
SCALE NOTED	SHEET	OF

Glousterman Bill of Materials

- 2 - 4' x 8' Sheet 1/4" thick Lauan or Birch plywood
- 2 - 16' long 1/2" x 1-1/2" clear pine (or fir) molding
- 1 - 1/4 Sheet 1/2" ACX plywood (for seat)
- 2 - 6' long 1x2 clear pine or fir
- 1 - Gallon Epoxy
- 25 yds - 2" wide light fiberglass tape
- 1 - Doz #8 x 1" stainless steel screws
- A dozen or so inexpensive disposable paint brushes of various widths
- Rubber gloves
- Respirators (for sanding dust) & safety glasses