

4

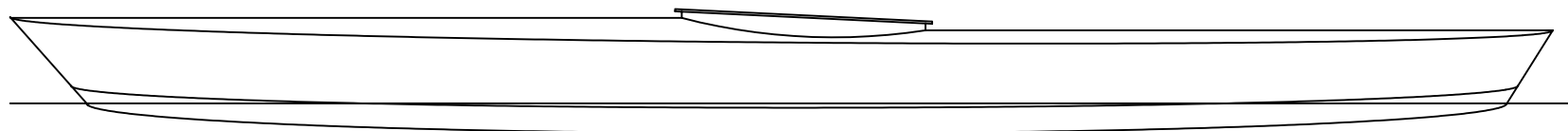
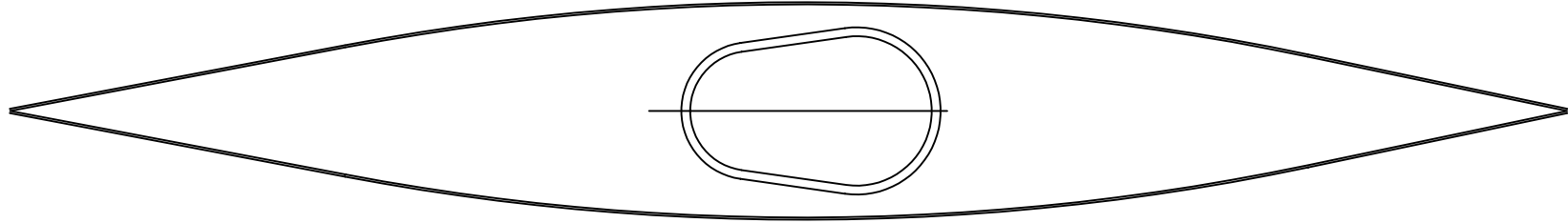
3

2

1

NOTICE
 THIS DRAWING CONTAINS A PROPRIETARY DESIGN ASSIGNED TO SPIRA INTERNATIONAL, INC. ALL RIGHTS TO DUPLICATE, TRANSFER OR SELL THIS DESIGN ARE EXPRESSLY RESERVED. THE BUYER IS LICENSED TO BUILD ONE ASSEMBLY FROM THESE PLANS.

REVISIONS				
ZONE	LTR	DESCRIPTION	DATE YR/MO/DA	APPROVED



SPECIFICATIONS	
LENGTH	15' 5"
BEAM	24"
HEIGHT	12"
DRAFT	0' 3"
WEIGHT	42 LBS

Spira International, Inc.
 Huntington Beach, California

GREENLANDER
 15 1/2' SEA KAYAK

DRAWN BY: J. SPIRA	DATE: 6/12/95	DRAWING NO. GREE01
SCALE 1/10		SHEET 1 OF 4

4

3

2

1

D

D

C

C

B

B

A

A

4

3

2

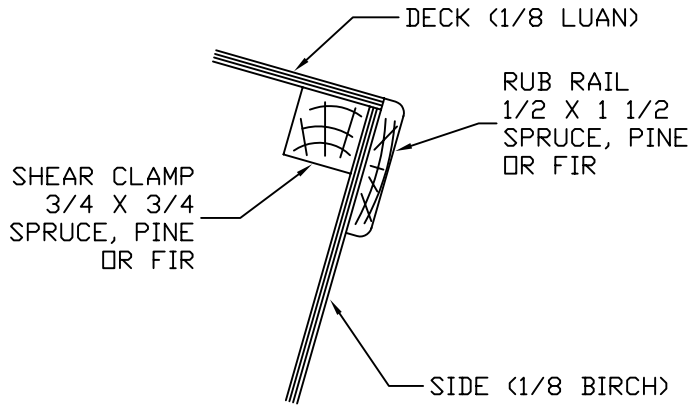
1

NOTICE
 THIS DRAWING CONTAINS A PROPRIETARY DESIGN ASSIGNED TO SPIRA INTERNATIONAL, INC. ALL RIGHTS TO DUPLICATE, TRANSFER OR SELL THIS DESIGN ARE EXPRESSLY RESERVED. THE BUYER IS LICENSED TO BUILD ONE ASSEMBLY FROM THESE PLANS.

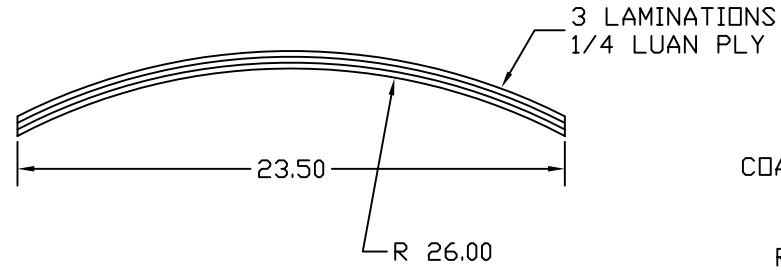
REVISIONS				
ZONE	LTR	DESCRIPTION	DATE YR/MO/DA	APPROVED

D

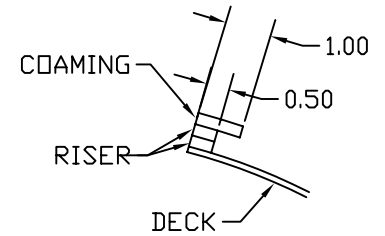
D



SHEAR CLAMP DETAIL
 SCALE = FULL



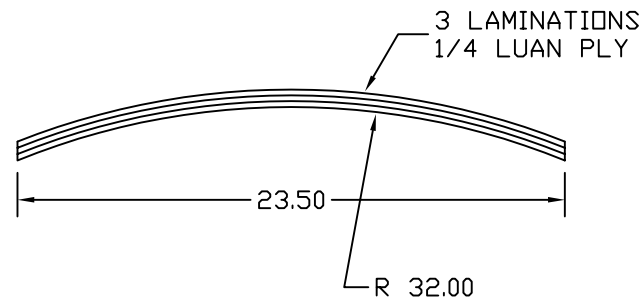
FRONT DECK BEAM
 SCALE = 1/4



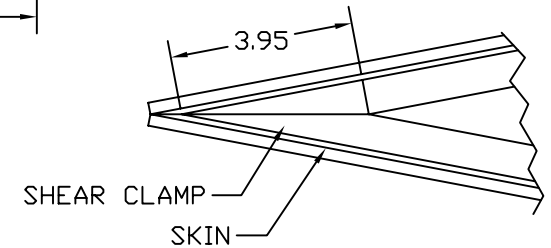
COCKPIT COAMING
 DETAIL
 SCALE = 1/2

C

C



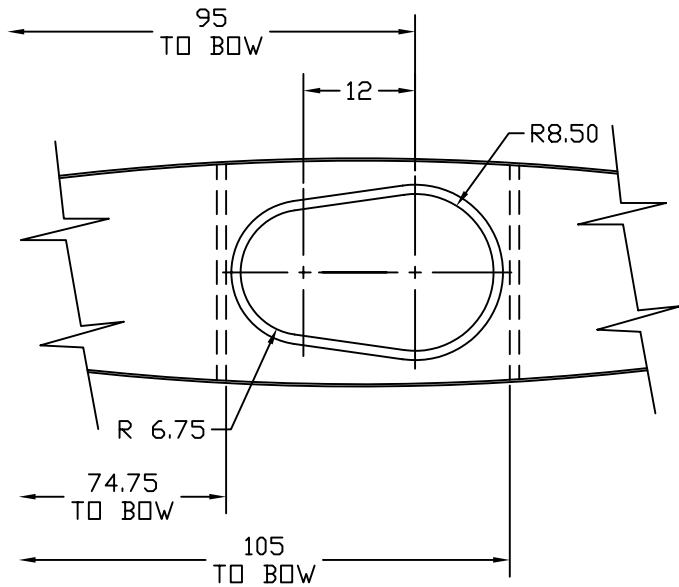
REAR DECK BEAM
 SCALE = 1/4



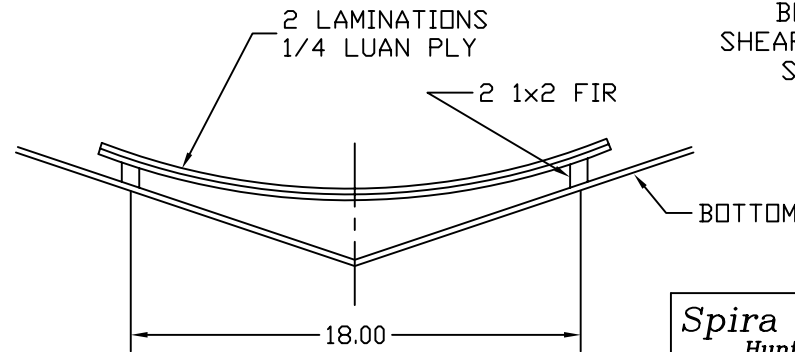
BOW & STERN
 SHEAR CLAMP DETAIL
 SCALE = 1/2

B

B



COCKPIT CUTOUT
 SCALE = 1/10



SEAT DETAIL
 SCALE = 1/4

Spira International, Inc.
 Huntington Beach, California

GREENLANDER
 15 1/2' SEA KAYAK

DRAWN BY: J. SPIRA DATE: 6/12/95 DRAWING NO. GREE03

SCALE 1/10 SHEET OF

4

3

2

1

A

A

Greenlander - Bill of Materials

- 2 - 4' x 8' Sheet 1/8" thick Oak or Birch plywood (for hull)
 - 1 - 4' x 8' Sheet 1/8" thick Lauan plywood (for deck)
 - 1/2 Sheet (4'x4') 1/4" thick Lauan Plywood (seat, deck beams, coaming)
 - 2 - 16' long 3/4" x 3/4" clear spruce, pine, or fir molding (shear clamps)
 - 2 - 16' long 1/2" x 1-1/2" clear spruce, pine, or fir molding (rub rails)
 - 1 - 4' long 1x2 clear fir (seat supports)
 - 2 - 2' x 2' x 1" Urethane foam (optional for bulkheads)
 - 1 Gallon Epoxy
 - 25 yds - 2" (or 3") light fiberglass tape
 - 1 doz. #8 x 1" stainless steel flat head wood screws
 - 2 lbs 1d bronze ring type boat nails
 - 1 doz disposable paint brushes of various widths (2", 3" and 4")
- Rubber gloves (I like the disposable kind. You can buy a box at any drug store)
- Respirators (for sanding dust) and safety glasses