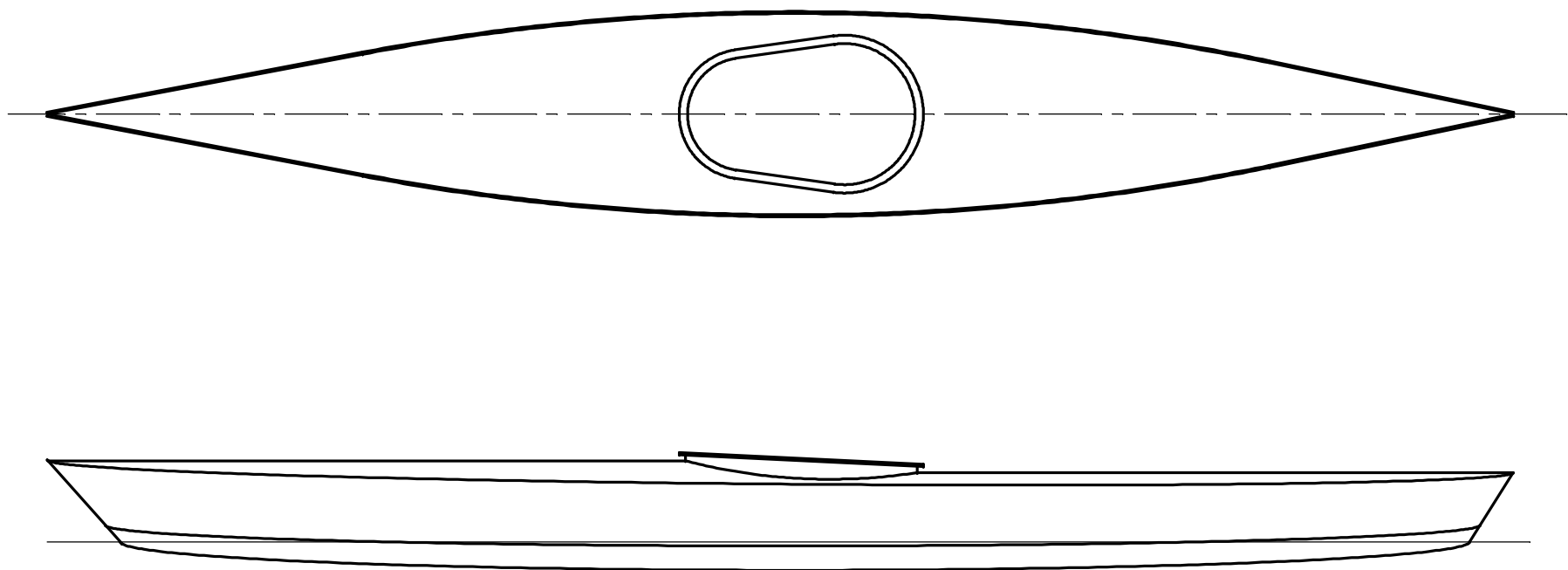


NOTICE
 THIS DRAWING CONTAINS A PROPRIETARY DESIGN ASSIGNED TO SPIRA INTERNATIONAL, INC. ALL RIGHTS TO DUPLICATE, TRANSFER OR SELL THIS DESIGN ARE EXPRESSLY RESERVED. THE BUYER IS LICENSED TO BUILD ONE ASSEMBLY FROM THESE PLANS.

REVISIONS				
ZONE	LTR	DESCRIPTION	DATE	APPROVED
	A	UPDATED TO NEW FORMAT	09/15/08	JJS

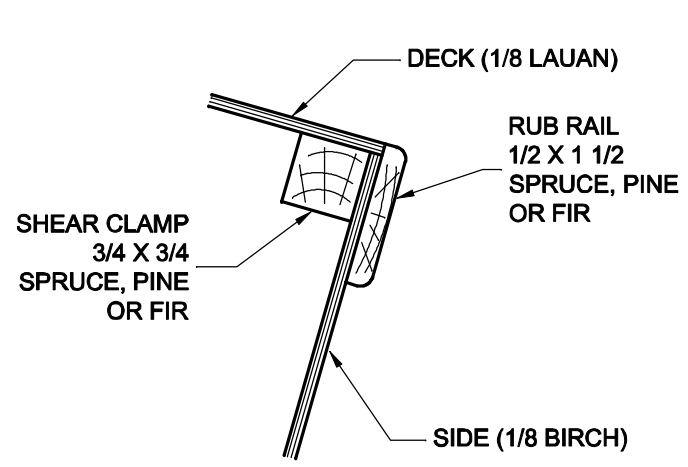


SPECIFICATIONS	
LENGTH	15' 5"
BEAM	24"
HEIGHT	12"
DRAFT	0' 3"
WEIGHT	42 LBS

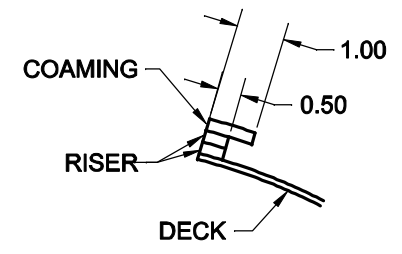
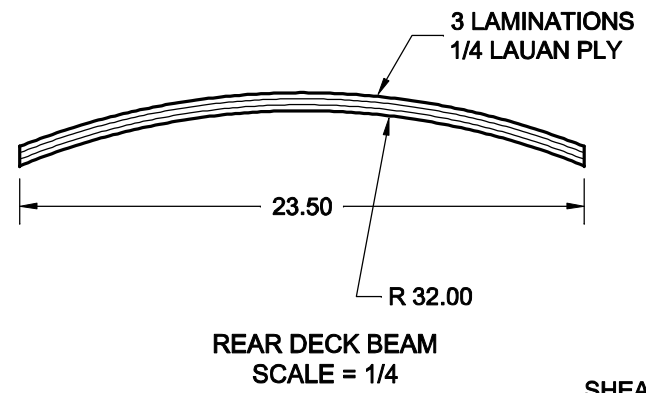
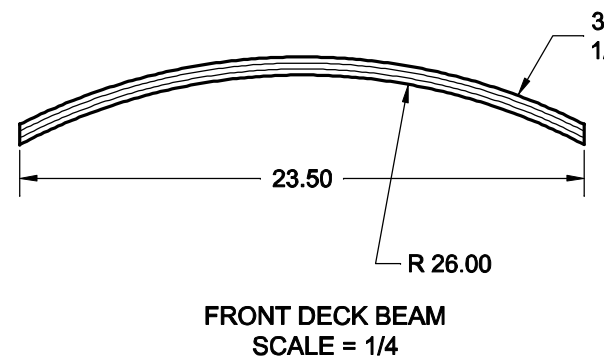
<i>Spira International, Inc.</i> Huntington Beach, California		
GREENLANDER 15 1/2' SEA KAYAK		
DRAWN BY: J. SPIRA	DATE: 06/12/95	DRAWING NO. GREE01
SCALE 1/10		SHEET OF

NOTICE
 THIS DRAWING CONTAINS A PROPRIETARY DESIGN ASSIGNED TO SPIRA INTERNATIONAL, INC. ALL RIGHTS TO DUPLICATE, TRANSFER OR SELL THIS DESIGN ARE EXPRESSLY RESERVED. THE BUYER IS LICENSED TO BUILD ONE ASSEMBLY FROM THESE PLANS.

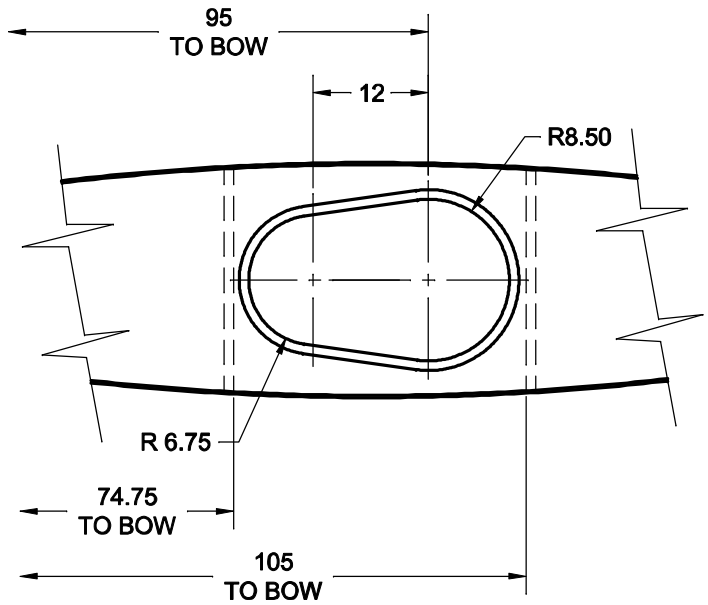
REVISIONS				
ZONE	LTR	DESCRIPTION	DATE	APPROVED
	A	UPDATED TO NEW FORMAT	09/15/08	JJS



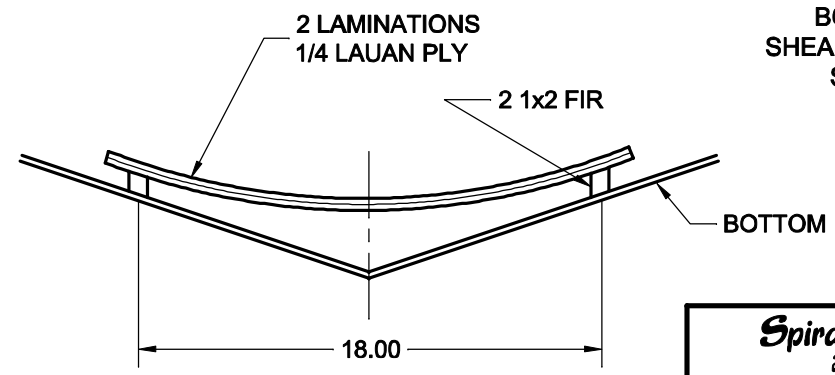
SHEAR CLAMP DETAIL
 SCALE = FULL



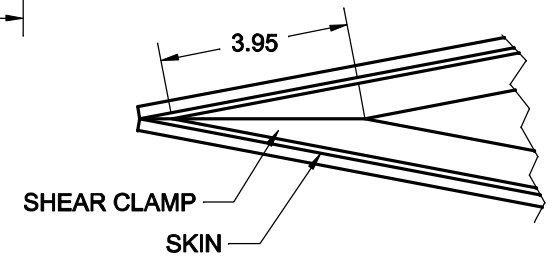
COCKPIT COAMING
 DETAIL
 SCALE = 1/2



COCKPIT CUTOUT
 SCALE = 1/10



SEAT DETAIL
 SCALE = 1/4



BOW & STERN
 SHEAR CLAMP DETAIL
 SCALE = 1/2

Spira International, Inc.
 Huntington Beach, California

GREENLANDER
 15 1/2' SEA KAYAK

DRAWN BY: J. SPIRA	DATE: 06/12/95	DRAWING NO. GREE03
SCALE 1/10 & NOTED		SHEET OF