

4

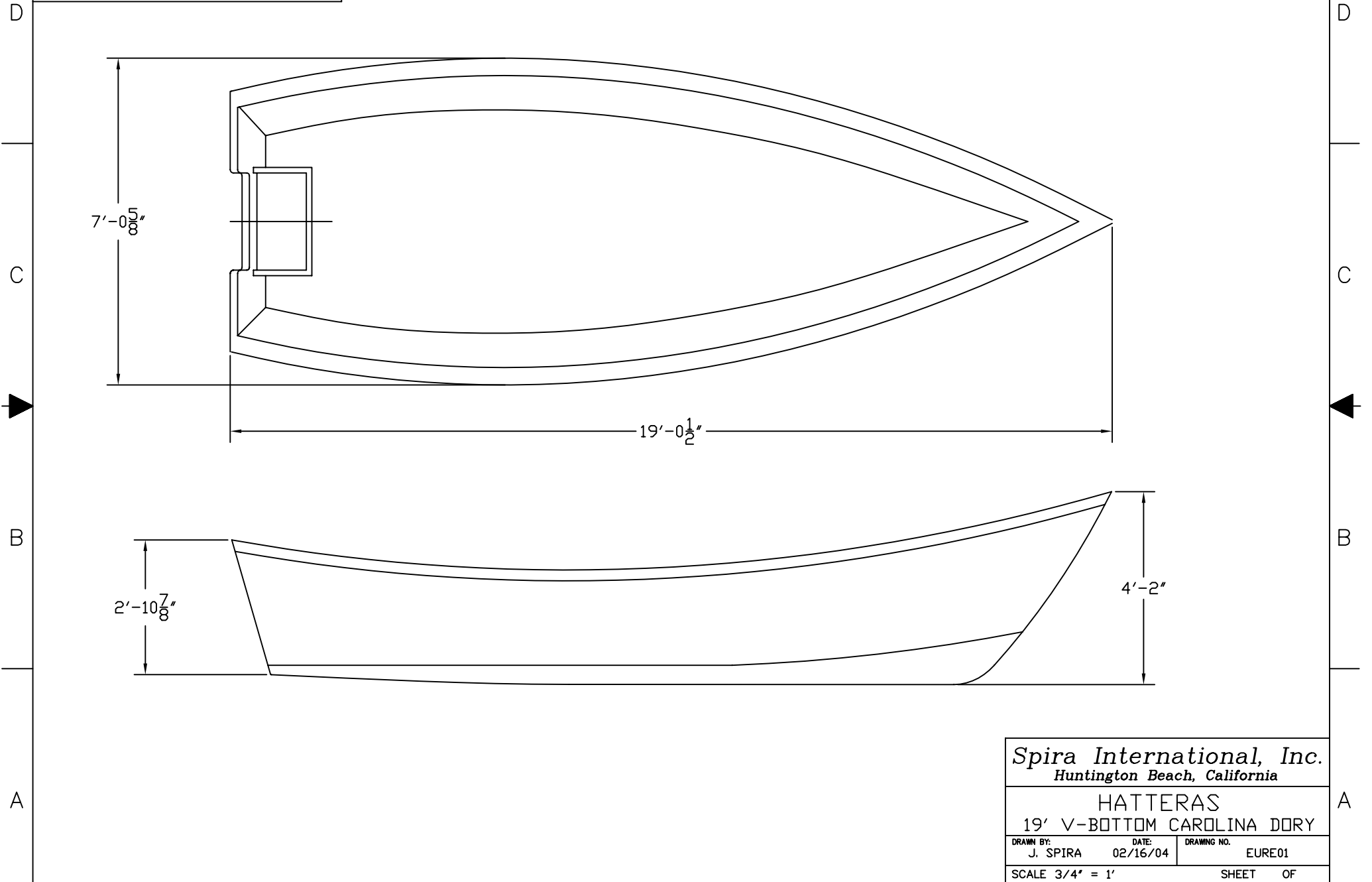
3

2

1

NOTICE
 THIS DRAWING CONTAINS A PROPRIETARY DESIGN ASSIGNED TO SPIRA INTERNATIONAL, INC. ALL RIGHTS TO DUPLICATE, TRANSFER OR SELL THIS DESIGN ARE EXPRESSLY RESERVED. THE BUYER IS LICENSED TO BUILD ONE ASSEMBLY FROM THESE PLANS.

REVISIONS				
ZONE	LTR	DESCRIPTION	DATE YR/MO/DA	APPROVED



7'-0⁵/₈"

19'-0¹/₂"

2'-10⁷/₈"

4'-2"

Spira International, Inc.
 Huntington Beach, California

HATTERAS
 19' V-BOTTOM CAROLINA DORY

DRAWN BY: J. SPIRA	DATE: 02/16/04	DRAWING NO. EURE01
-----------------------	-------------------	-----------------------

SCALE 3/4" = 1' SHEET OF

4

3

2

1

4

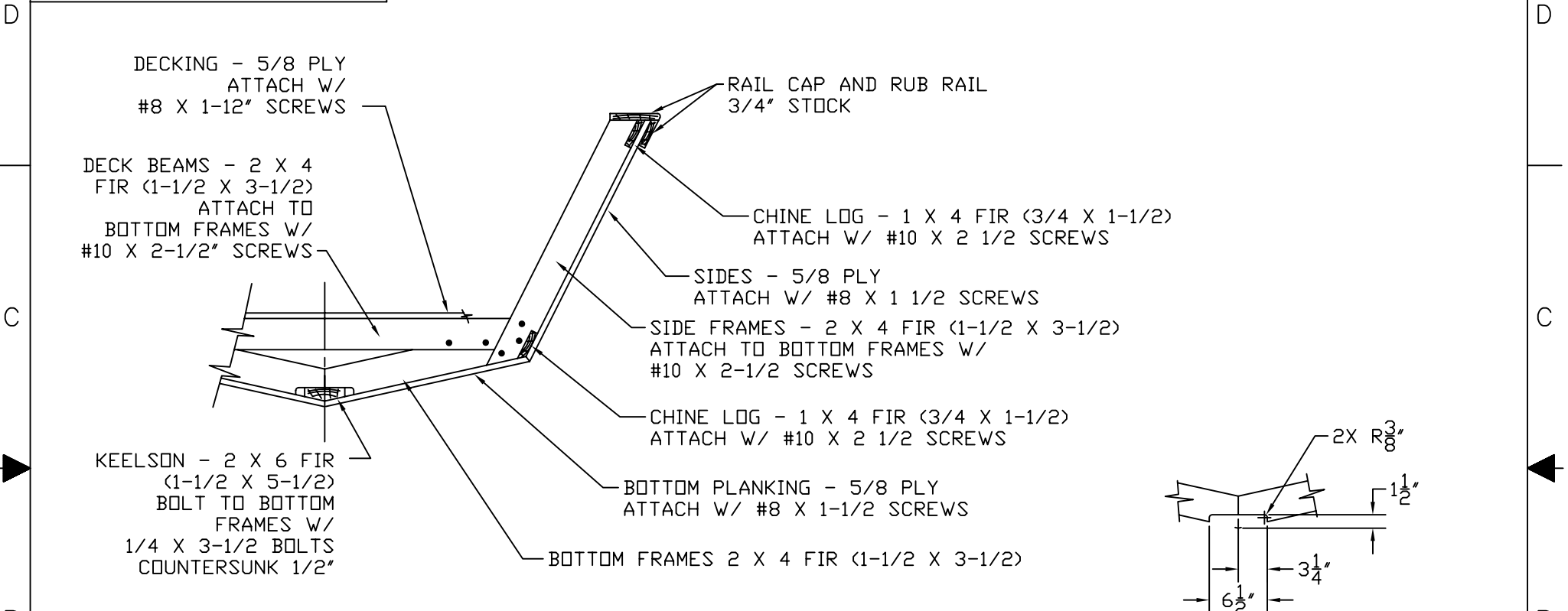
3

2

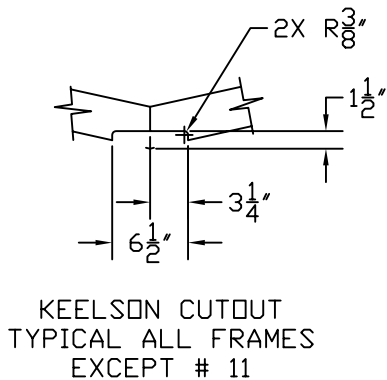
1

NOTICE
 THIS DRAWING CONTAINS A PROPRIETARY DESIGN ASSIGNED TO SPIRA INTERNATIONAL, INC. ALL RIGHTS TO DUPLICATE, TRANSFER OR SELL THIS DESIGN ARE EXPRESSLY RESERVED. THE BUYER IS LICENSED TO BUILD ONE ASSEMBLY FROM THESE PLANS.

REVISIONS				
ZONE	LTR	DESCRIPTION	DATE YR/MO/DA	APPROVED

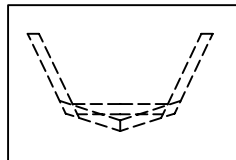


CONSTRUCTION METHOD
 TYPICAL AT EACH FRAME

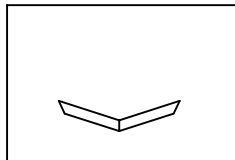


SEQUENCE FOR MAKING FRAMES

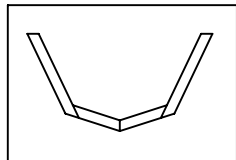
NO SCALE



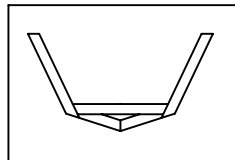
DRAW FRAME ON
SCRAP PLYWOOD



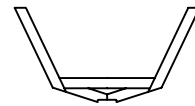
CUT OUT LOWER FRAME
ELEMENTS AND LOCATE
IN POSITION - EPOXY
CENTER JOINT



REPEAT FOR SIDE
FRAMES - EPOXY &
SCREW IN POSITION
ATOP BOTTOM FRAMES



CUT OUT DECK
BEAM, LOCATE IN
POSITION, EPOXY &
SCREW IN PLACE



CUT OUT KEELSON
NOTCH AFTER EPOXY
HAS SET FULLY

Spira International, Inc.
 Huntington Beach, California

HATTERAS
 19' V-BOTTOM CAROLINA DORY

DRAWN BY: J. SPIRA	DATE: 02/16/04	DRAWING NO. HATT04
-----------------------	-------------------	-----------------------

SCALE 3' = 1' & NOTED SHEET OF

4

3

2

1