

4

3

2

1

NOTICE
 THIS DRAWING CONTAINS A PROPRIETARY DESIGN ASSIGNED TO SPIRA INTERNATIONAL, INC. ALL RIGHTS TO DUPLICATE, TRANSFER OR SELL THIS DESIGN ARE EXPRESSLY RESERVED. THE BUYER IS LICENSED TO BUILD ONE ASSEMBLY FROM THESE PLANS.

REVISIONS				
ZONE	LTR	DESCRIPTION	DATE YR/MO/DA	APPROVED

D

D

C

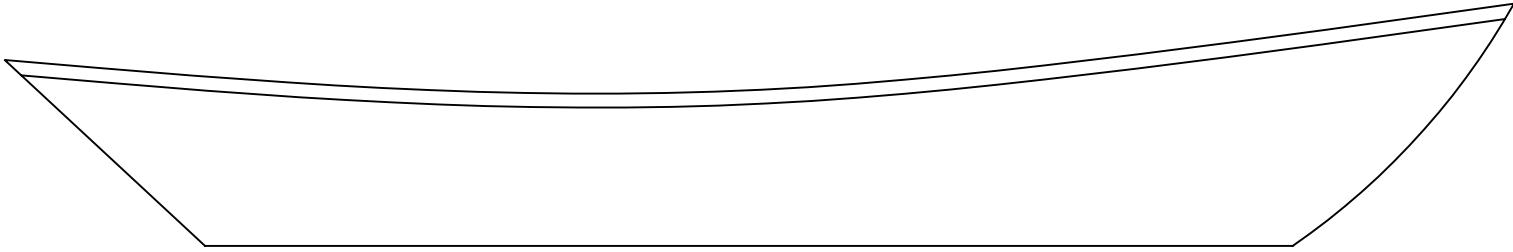
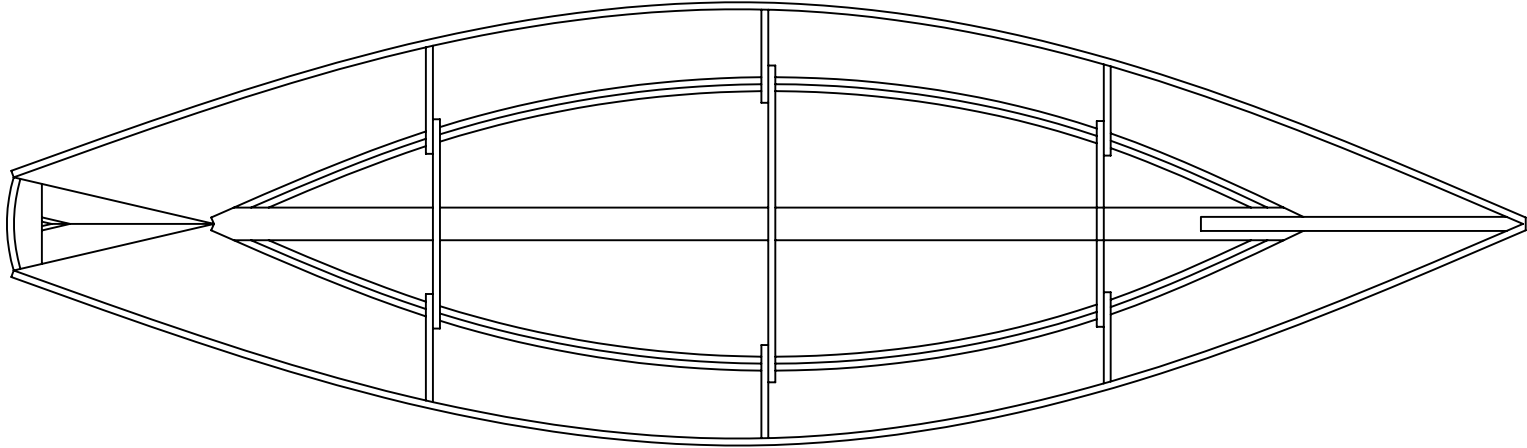
C

B

B

A

A



JUNEAU 14' FRAMED DORY	
LENGTH	14' 0"
BEAM	3' 8"
HEIGHT	2' 2"
WEIGHT	125 LBS

Spira International, Inc.
 Huntington Beach, California

JUNEAU 14' FRAMED DORY		
DRAWN BY: J. SPIRA	DATE: 12/05/01	DRAWING NO. JUNE01
SCALE 1/10		SHEET OF

4

3

2

1

4

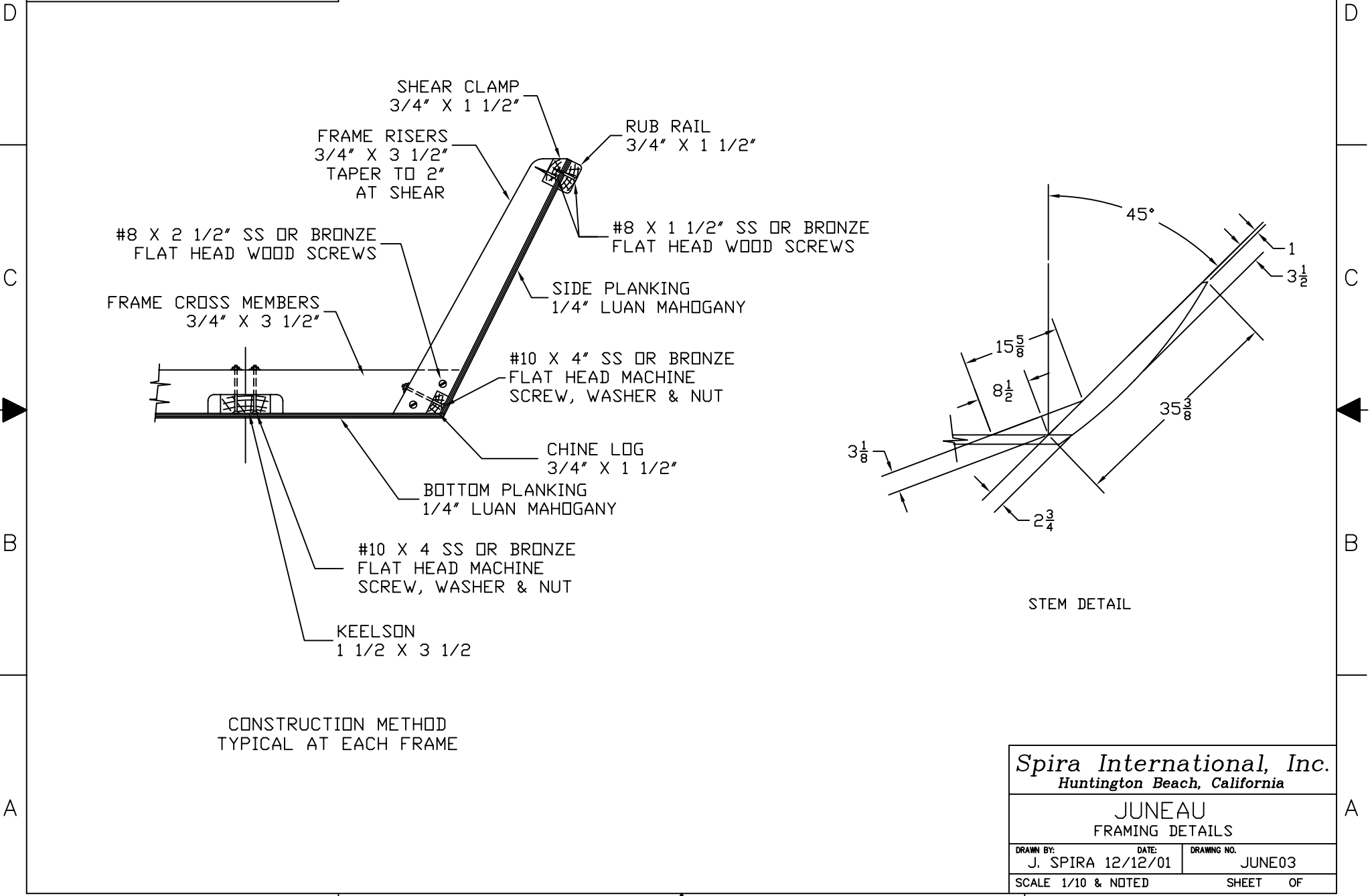
3

2

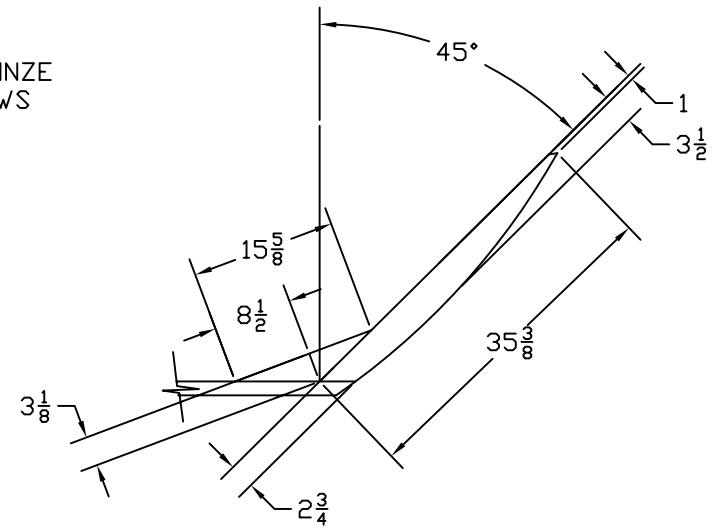
1

NOTICE
 THIS DRAWING CONTAINS A PROPRIETARY DESIGN ASSIGNED TO SPIRA INTERNATIONAL, INC. ALL RIGHTS TO DUPLICATE, TRANSFER OR SELL THIS DESIGN ARE EXPRESSLY RESERVED. THE BUYER IS LICENSED TO BUILD ONE ASSEMBLY FROM THESE PLANS.

REVISIONS				
ZONE	LTR	DESCRIPTION	DATE YR/MO/DA	APPROVED



CONSTRUCTION METHOD
 TYPICAL AT EACH FRAME



STEM DETAIL

Spira International, Inc.
 Huntington Beach, California

JUNEAU
 FRAMING DETAILS

DRAWN BY: J. SPIRA	DATE: 12/12/01	DRAWING NO. JUNE03
SCALE 1/10 & NOTED		SHEET OF

4

3

2

1