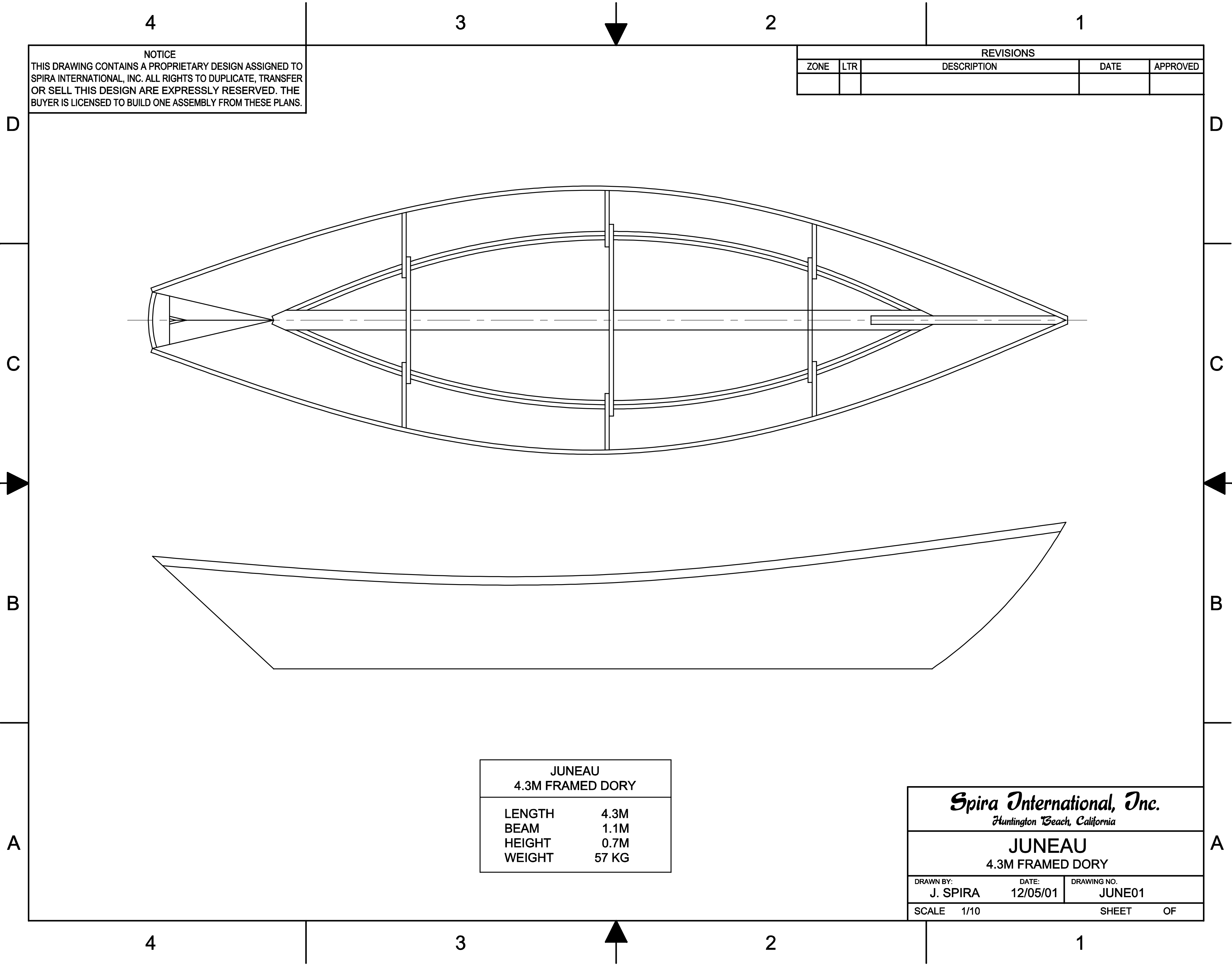


NOTICE
 THIS DRAWING CONTAINS A PROPRIETARY DESIGN ASSIGNED TO SPIRA INTERNATIONAL, INC. ALL RIGHTS TO DUPLICATE, TRANSFER OR SELL THIS DESIGN ARE EXPRESSLY RESERVED. THE BUYER IS LICENSED TO BUILD ONE ASSEMBLY FROM THESE PLANS.

REVISIONS				
ZONE	LTR	DESCRIPTION	DATE	APPROVED



JUNEAU 4.3M FRAMED DORY	
LENGTH	4.3M
BEAM	1.1M
HEIGHT	0.7M
WEIGHT	57 KG

Spira International, Inc. <i>Huntington Beach, California</i>		
JUNEAU 4.3M FRAMED DORY		
DRAWN BY: J. SPIRA	DATE: 12/05/01	DRAWING NO. JUNE01
SCALE 1/10	SHEET OF	

4

3

2

1

NOTICE
 THIS DRAWING CONTAINS A PROPRIETARY DESIGN ASSIGNED TO SPIRA INTERNATIONAL, INC. ALL RIGHTS TO DUPLICATE, TRANSFER OR SELL THIS DESIGN ARE EXPRESSLY RESERVED. THE BUYER IS LICENSED TO BUILD ONE ASSEMBLY FROM THESE PLANS.

REVISIONS				
ZONE	LTR	DESCRIPTION	DATE	APPROVED

BILL OF MATERIALS - HULL ONLY

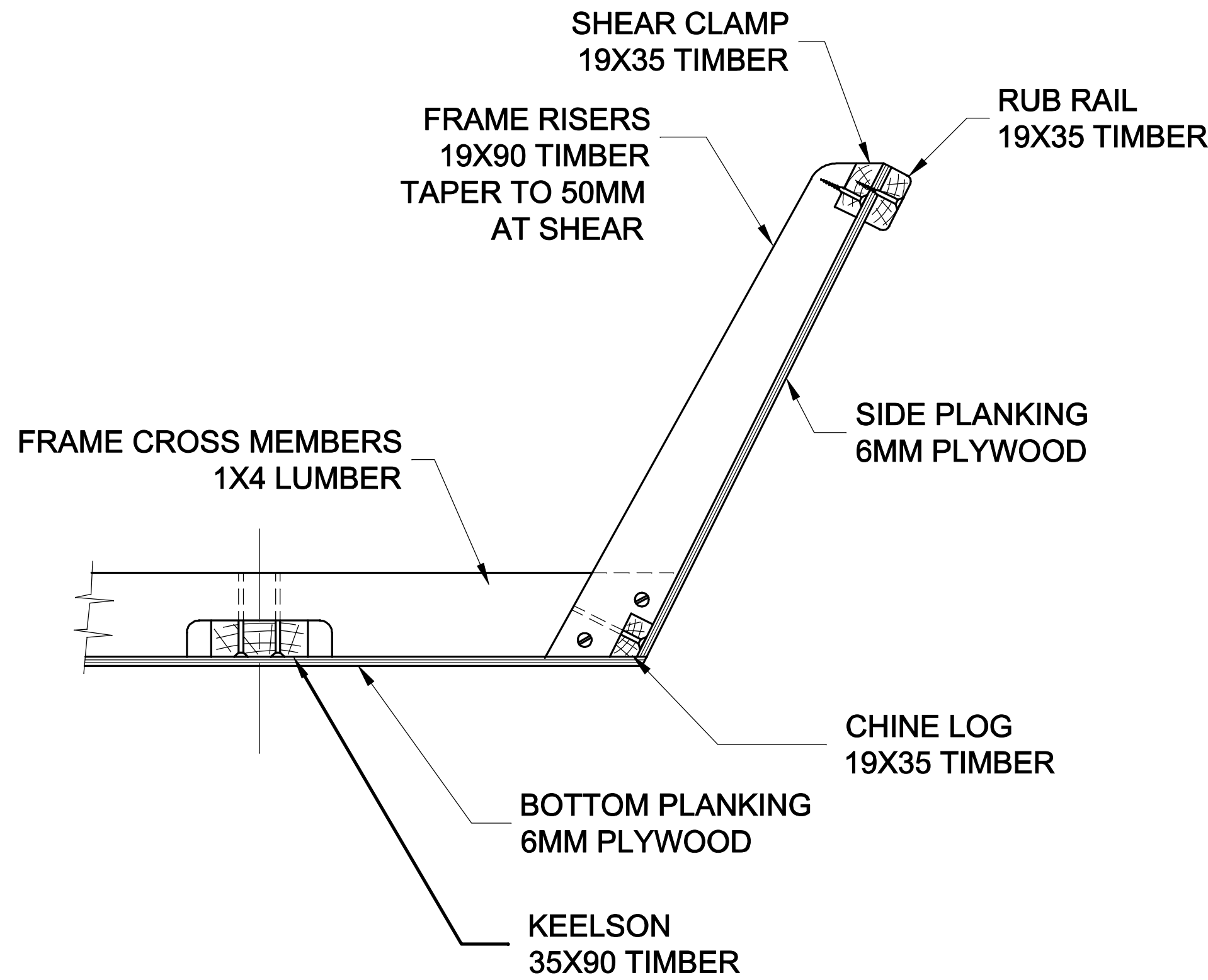
- 3 SHEETS 6MM PLYWOOD
- 11M 19X90 TIMBER FOR FRAMES
- 27M 19X35 TIMBER FOR SHEER CLAMP, CHINE LOG & RUB RAILS
- 4M 35X90 TIMBER FOR KEELSON
- 1M 35X140 TIMBER FOR STEM
- 25 - M5 X 75 DECK SCREWS
- 100 - M4 X 60 DECK SCREWS
- 250 - M3 X 50 DECK SCREWS
- 1 GAL EPOXY RESIN
- 8 YDS 6 OZ FIBERGLASS CLOTH

FASTENING SCHEDULE

- KEELSON TO FRAMES: M5 X 75 DECK SCREWS
- FRAMES TO FRAMES: M4 X 60 DECK SCREWS
- LONGITUDINALS: M4 X 60 DECK SCREWS
- PLY TO FRAMES: M3 X 50 DECK SCREWS

NOTES:

- 1. YOU MAY SCARF TOGETHER SHORTER PIECES TO CREATE THE LONGITUDINAL ELEMENTS.



CONSTRUCTION METHOD
 TYPICAL AT EACH FRAME

Spira International, Inc.
 Huntington Beach, California

JUNEAU
 FRAMING DETAILS

DRAWN BY: J. SPIRA	DATE: 11/23/10	DRAWING NO. JUNEM02
SCALE 1/10 & NOTED	SHEET OF	

4

3

2

1