

4

3

2

1

NOTICE
 THIS DRAWING CONTAINS A PROPRIETARY DESIGN ASSIGNED TO SPIRA INTERNATIONAL, INC. ALL RIGHTS TO DUPLICATE, TRANSFER OR SELL THIS DESIGN ARE EXPRESSLY RESERVED. THE BUYER IS LICENSED TO BUILD ONE ASSEMBLY FROM THESE PLANS.

REVISIONS				
ZONE	LTR	DESCRIPTION	DATE YR/MO/DA	APPROVED

D

D

C

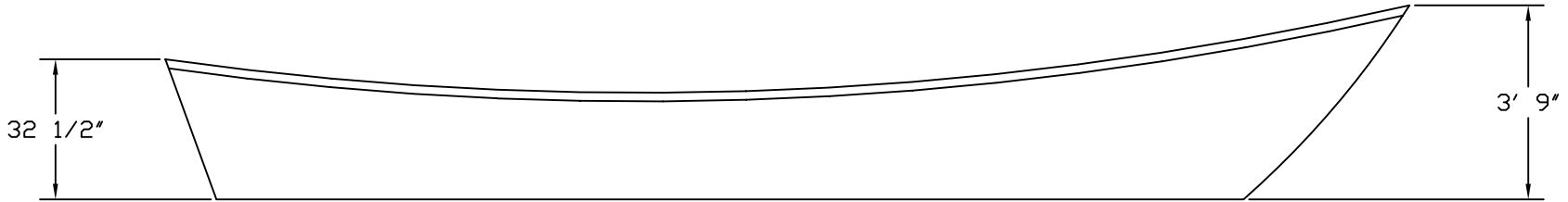
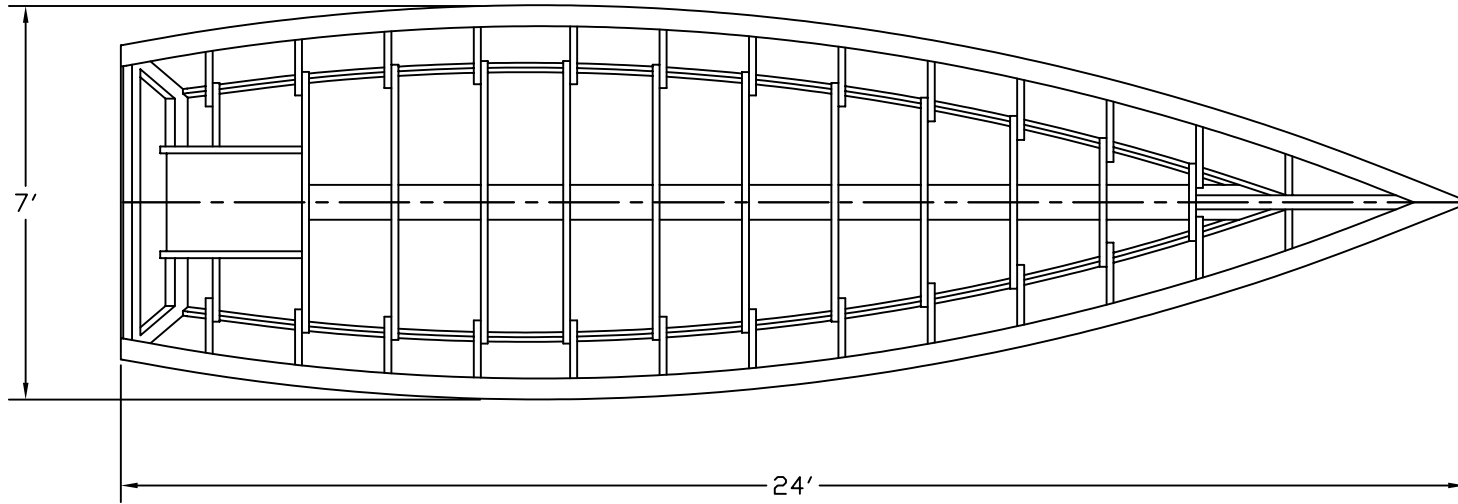
C

B

B

A

A



KEY LARGO

GENERAL ARRANGEMENT SHOWING FRAMES AND PLANKING
 DECKING & CONSOLE OMITTED FOR CLARITY

Spira International, Inc.
 Huntington Beach, California

KEY LARGO
 24' CAROLINA DORY

DRAWN BY: J. SPIRA	DATE: 1/05/98	DRAWING NO. KEYL01
SCALE 1/10	SHEET OF	

4

3

2

1

4

3

2

1

NOTICE
 THIS DRAWING CONTAINS A PROPRIETARY DESIGN ASSIGNED TO SPIRA INTERNATIONAL, INC. ALL RIGHTS TO DUPLICATE, TRANSFER OR SELL THIS DESIGN ARE EXPRESSLY RESERVED. THE BUYER IS LICENSED TO BUILD ONE ASSEMBLY FROM THESE PLANS.

REVISIONS				
ZONE	LTR	DESCRIPTION	DATE YR/MO/DA	APPROVED

D

D

C

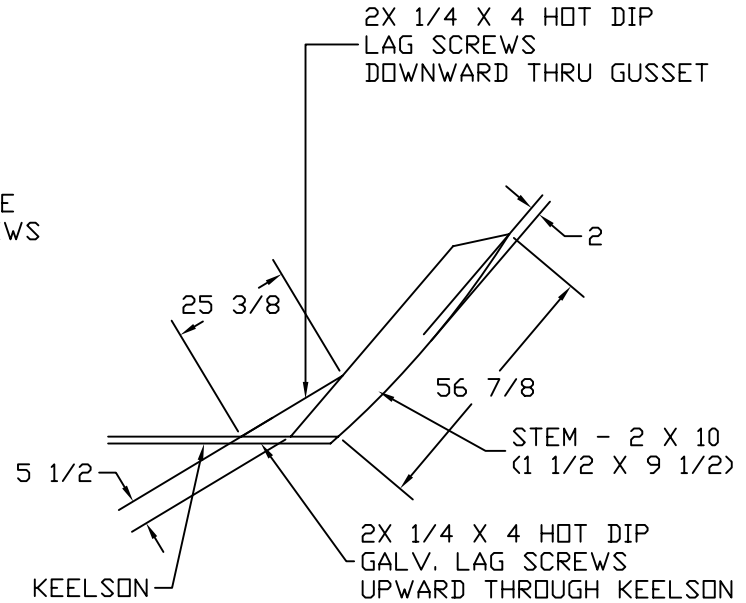
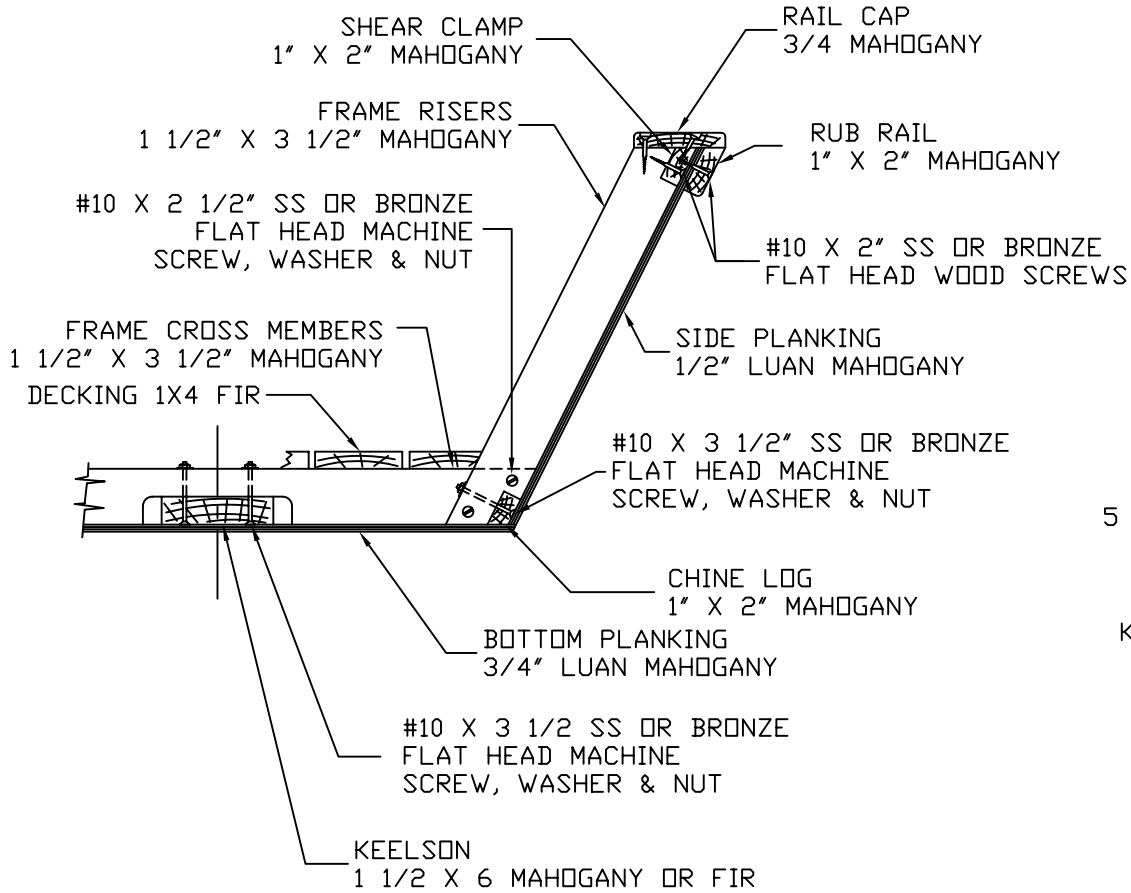
C

B

B

A

A



STEM DETAILS
 SCALE = 1/20

CONSTRUCTIONS DETAIL
 TYPICAL AT EVERY FRAME
 NOT TO SCALE

Spira International, Inc.
 Huntington Beach, California

KEY LARGO
 CONSTRUCTION DETAILS

DRAWN BY: J. SPIRA	DATE: 1/05/98	DRAWING NO. KEYL04
SCALE 1/10		SHEET OF

4

3

2

1

Key Largo Bill of Materials

8 - 4' x 8' sheet 1/2" thick lauan plywood for sides & bottom (3/4 for bottom optional)
6 - 26' long 1/2" x 1-1/2" clear pine (or fir) molding for rub rail, chine log & sheer clamp

You may scarf several shorter pieces together

140 ft - 1 1/2" x 3 1/2" clear fir for frames (random lengths)

21 ft - 1 1/2" x 5 1/2" clear fir for keelson (several pieces scarfed together)

Misc 2x lumber for well (2x10s) or transom motor mount option (2x8s)

170 feet 1 x 4 (3/4 x 3 1/2) clear fir or pine for decking

3/8 plywood and fir 1x2 furring strips for optional seats

12 dozen #6 x 1 1/4" stainless steel wood screws

2 - gallon epoxy

A dozen or so inexpensive disposable paint brushes of various widths

Rubber gloves

Respirators (for sanding dust) & safety glasses

Optional: 50 yds 50" wide light fiberglass cloth (+ additional 2 gallons of Epoxy)

In addition, for the strongback and frame jig, you'll need the following materials:

24' fir 2x6

4 - 8' 4 x 4s

1/2 sheet (2' x 4') 1/2" ply

Handful of 16d box nails

Handful of 5d box nails

Woodworking (or white) glue