

4

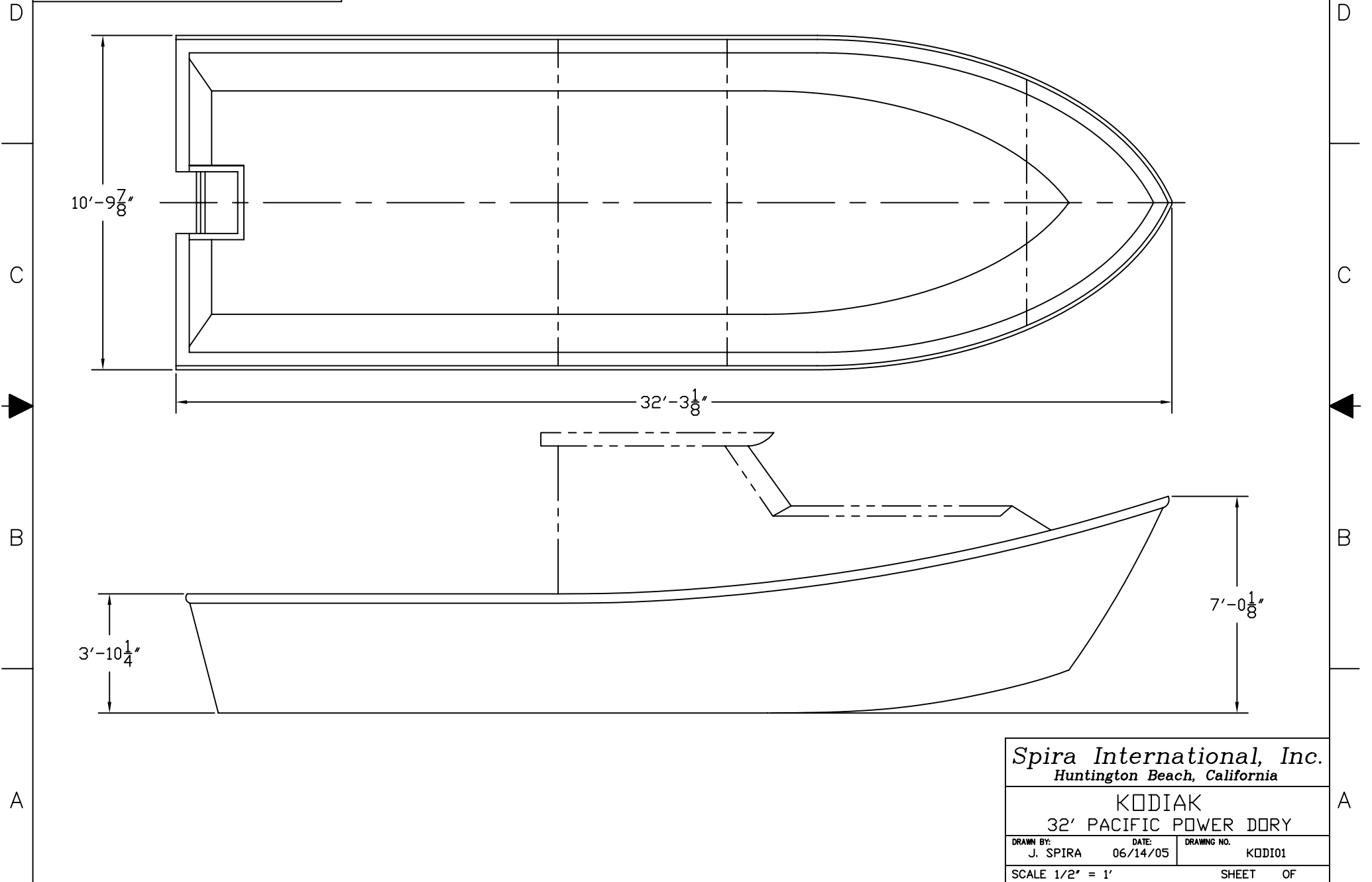
3

2

1

NOTICE
 THIS DRAWING CONTAINS A PROPRIETARY DESIGN ASSIGNED TO SPIRA INTERNATIONAL, INC. ALL RIGHTS TO DUPLICATE, TRANSFER OR SELL THIS DESIGN ARE EXPRESSLY RESERVED. THE BUYER IS LICENSED TO BUILD ONE ASSEMBLY FROM THESE PLANS.

REVISIONS				
ZONE	LTR	DESCRIPTION	DATE YR/MO/DA	APPROVED



Spira International, Inc.
 Huntington Beach, California

KODIAK
 32' PACIFIC POWER DORY

DRAWN BY: J. SPIRA	DATE: 06/14/05	DRAWING NO. KODI01
SCALE 1/2" = 1'		SHEET OF

4

3

2

1

4

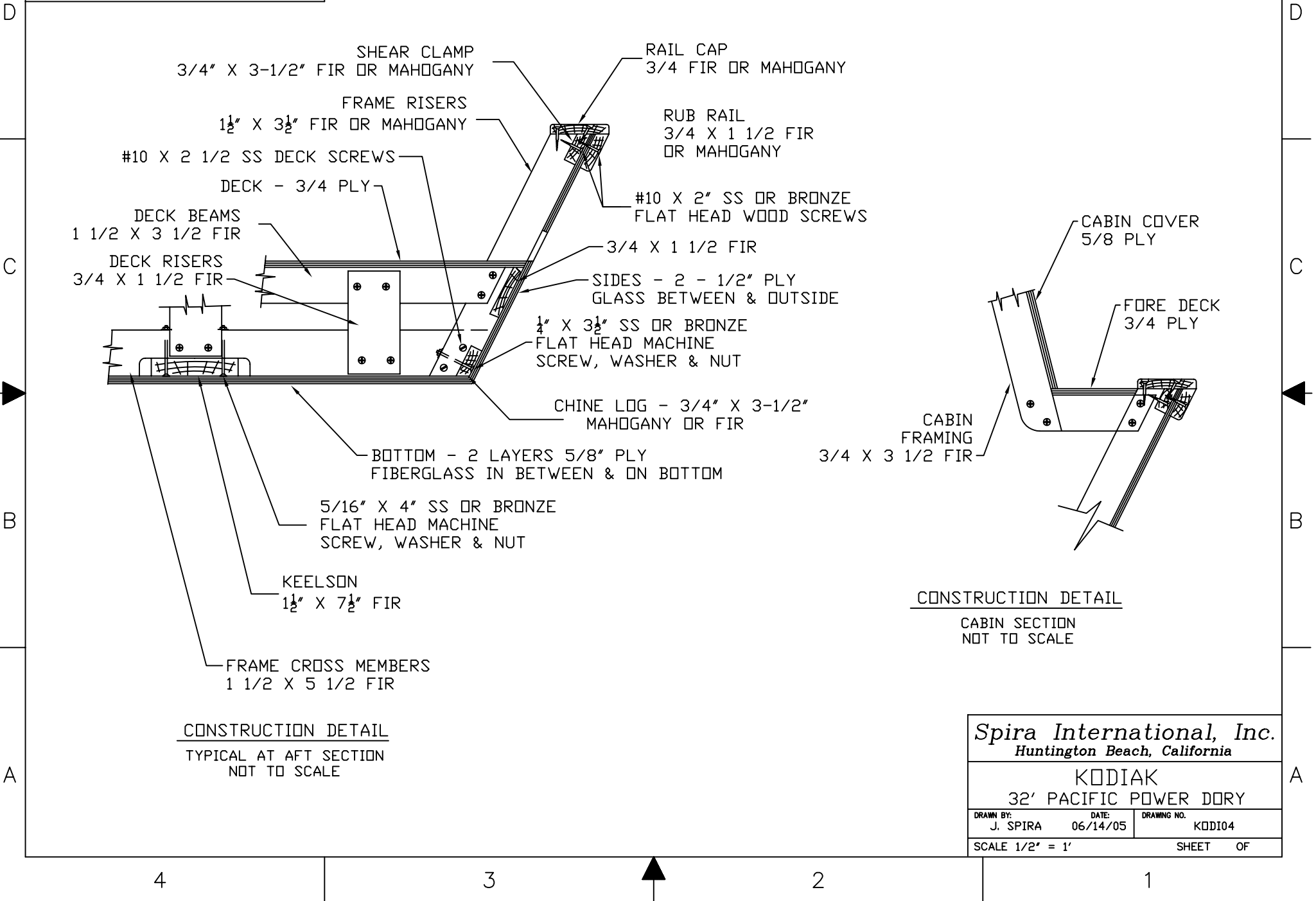
3

2

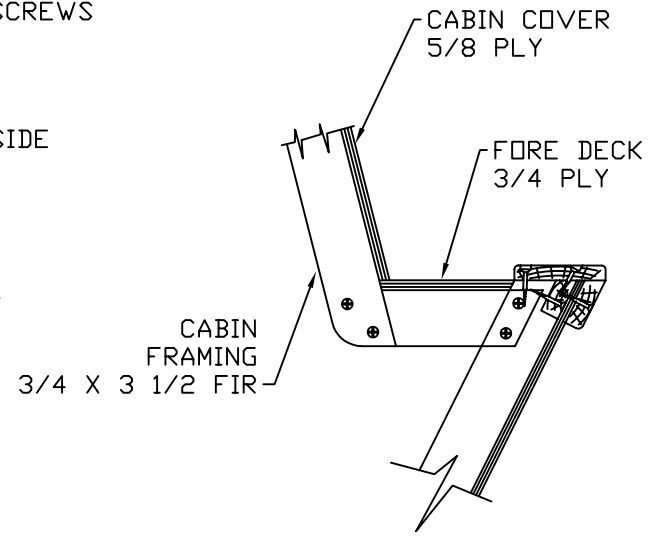
1

NOTICE
 THIS DRAWING CONTAINS A PROPRIETARY DESIGN ASSIGNED TO SPIRA INTERNATIONAL, INC. ALL RIGHTS TO DUPLICATE, TRANSFER OR SELL THIS DESIGN ARE EXPRESSLY RESERVED. THE BUYER IS LICENSED TO BUILD ONE ASSEMBLY FROM THESE PLANS.

REVISIONS				
ZONE	LTR	DESCRIPTION	DATE YR/MO/DA	APPROVED



CONSTRUCTION DETAIL
 TYPICAL AT AFT SECTION
 NOT TO SCALE



CONSTRUCTION DETAIL
 CABIN SECTION
 NOT TO SCALE

Spira International, Inc.
 Huntington Beach, California

KODIAK
 32' PACIFIC POWER DORY

DRAWN BY: J. SPIRA	DATE: 06/14/05	DRAWING NO. KODI04
-----------------------	-------------------	-----------------------

SCALE 1/2" = 1' SHEET OF

4

3

2

1