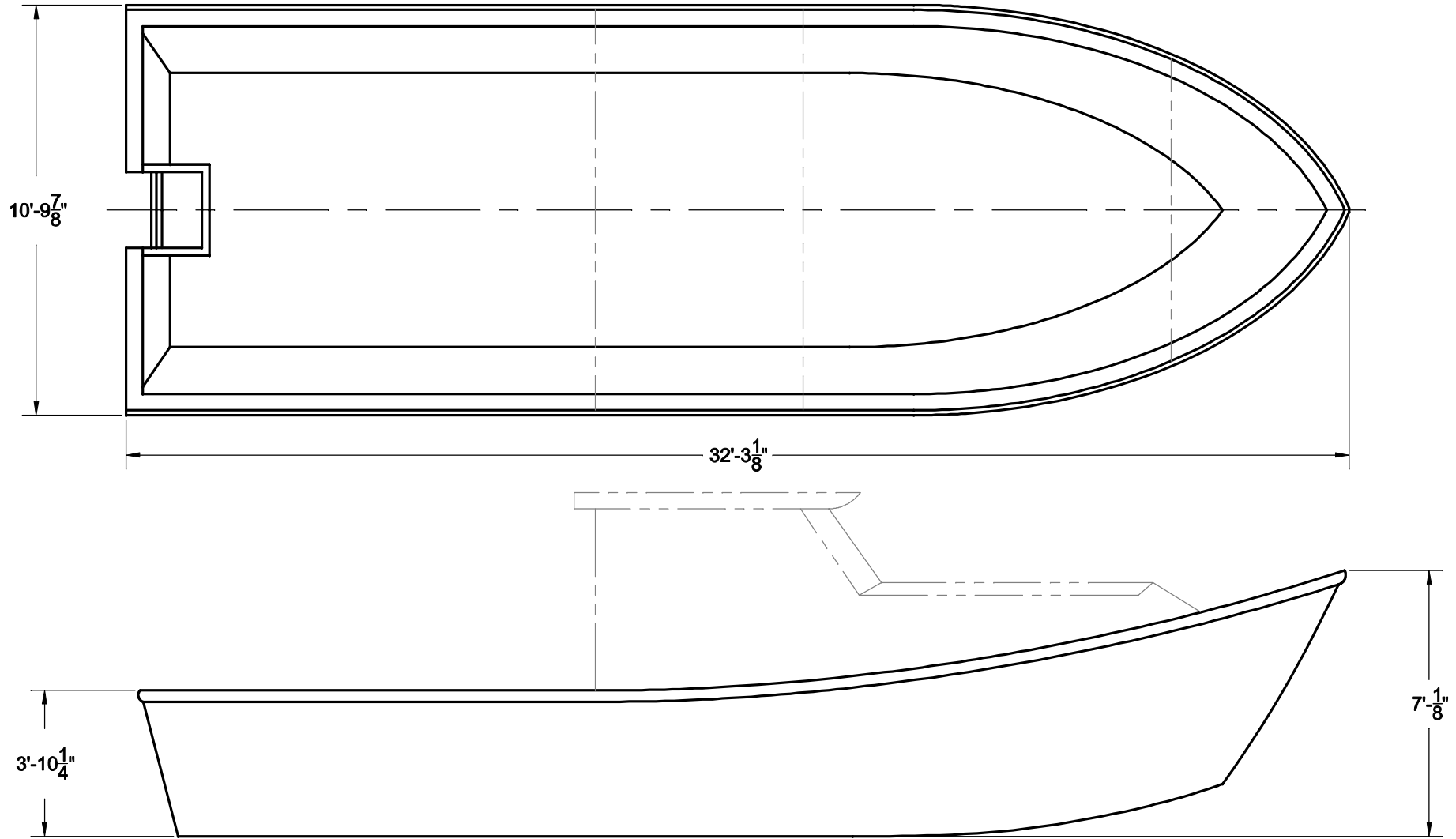


NOTICE

THIS DRAWING CONTAINS A PROPRIETARY DESIGN ASSIGNED TO SPIRA INTERNATIONAL, INC. ALL RIGHTS TO DUPLICATE, TRANSFER OR SELL THIS DESIGN ARE EXPRESSLY RESERVED. THE BUYER IS LICENSED TO BUILD ONE ASSEMBLY FROM THESE PLANS.

REVISIONS

ZONE	LTR	DESCRIPTION	DATE	APPROVED



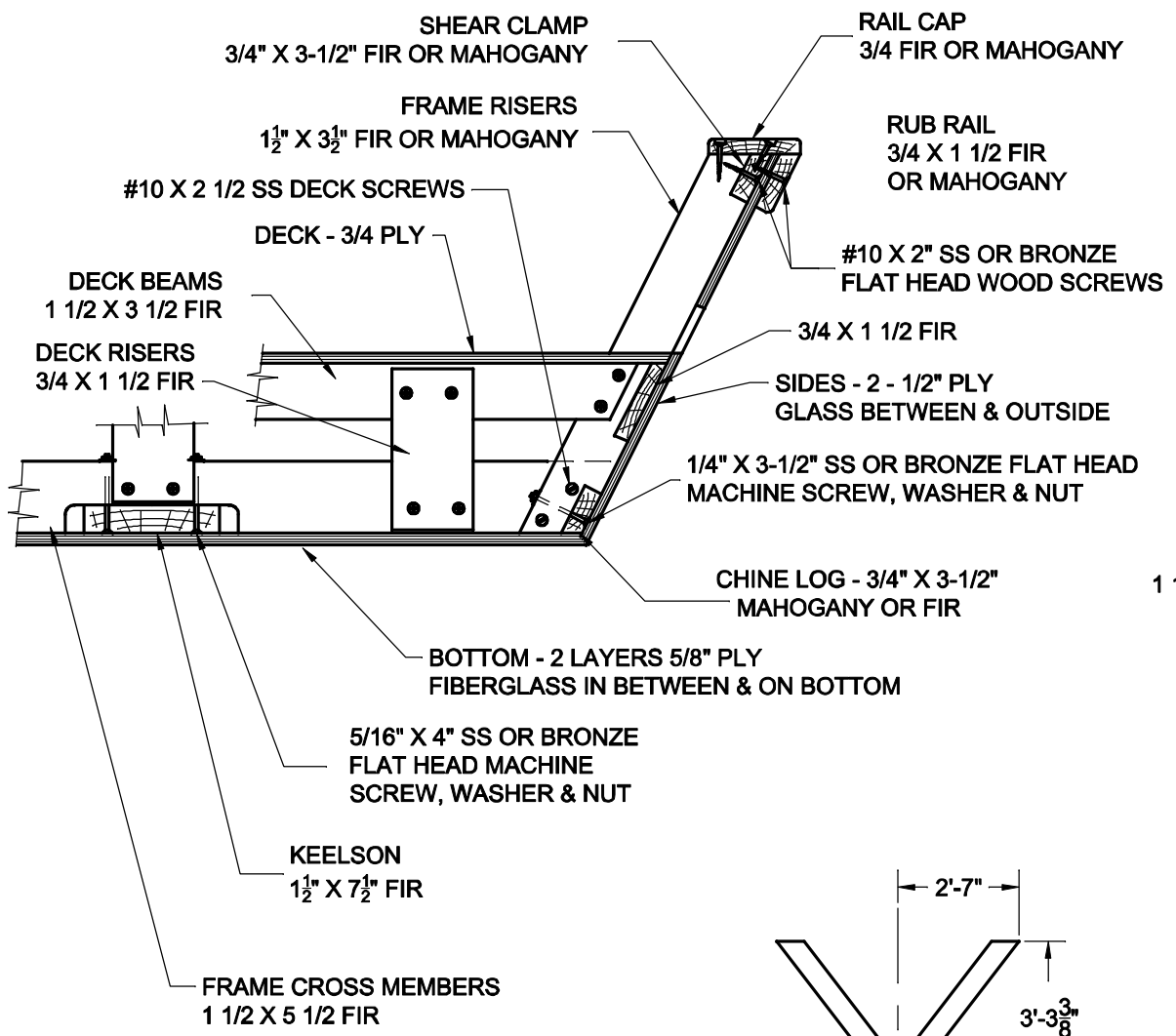
**Spira International, Inc.**  
Huntington Beach, California

**KODIAK**  
32' PACIFIC POWER DORY

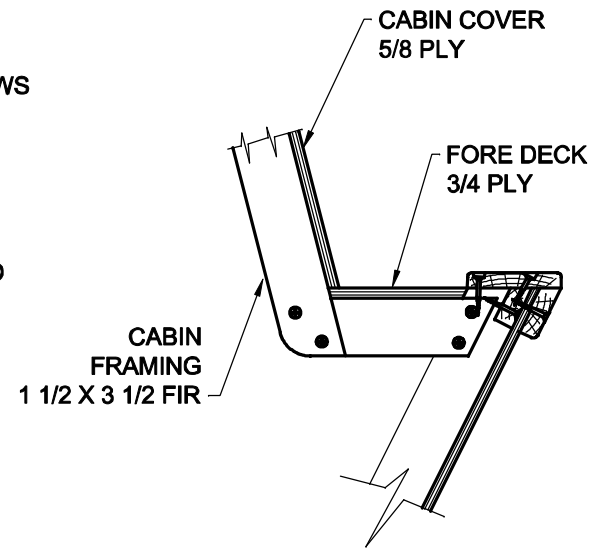
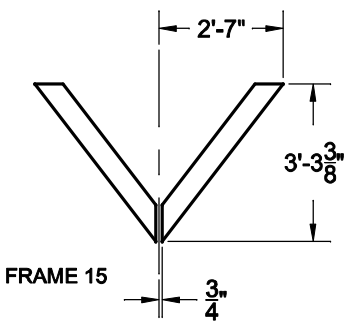
DRAWN BY: J. SPIRA	DATE: 06/14/05	DRAWING NO. KODI01
SCALE 1/2" = 1'		SHEET OF

**NOTICE**  
 THIS DRAWING CONTAINS A PROPRIETARY DESIGN ASSIGNED TO SPIRA INTERNATIONAL, INC. ALL RIGHTS TO DUPLICATE, TRANSFER OR SELL THIS DESIGN ARE EXPRESSLY RESERVED. THE BUYER IS LICENSED TO BUILD ONE ASSEMBLY FROM THESE PLANS.

REVISIONS				
ZONE	LTR	DESCRIPTION	DATE	APPROVED



**CONSTRUCTION DETAIL**  
 TYPICAL AT AFT SECTION  
 NOT TO SCALE



**CONSTRUCTION DETAIL**  
 CABIN SECTION  
 NOT TO SCALE

<b>Spira International, Inc.</b> <i>Huntington Beach, California</i>		
<b>KODIAK</b> 32' PACIFIC POWER DORY		
DRAWN BY: J. SPIRA	DATE: 06/14/05	DRAWING NO. KODI04
SCALE NONE	SHEET OF	