

4

3

2

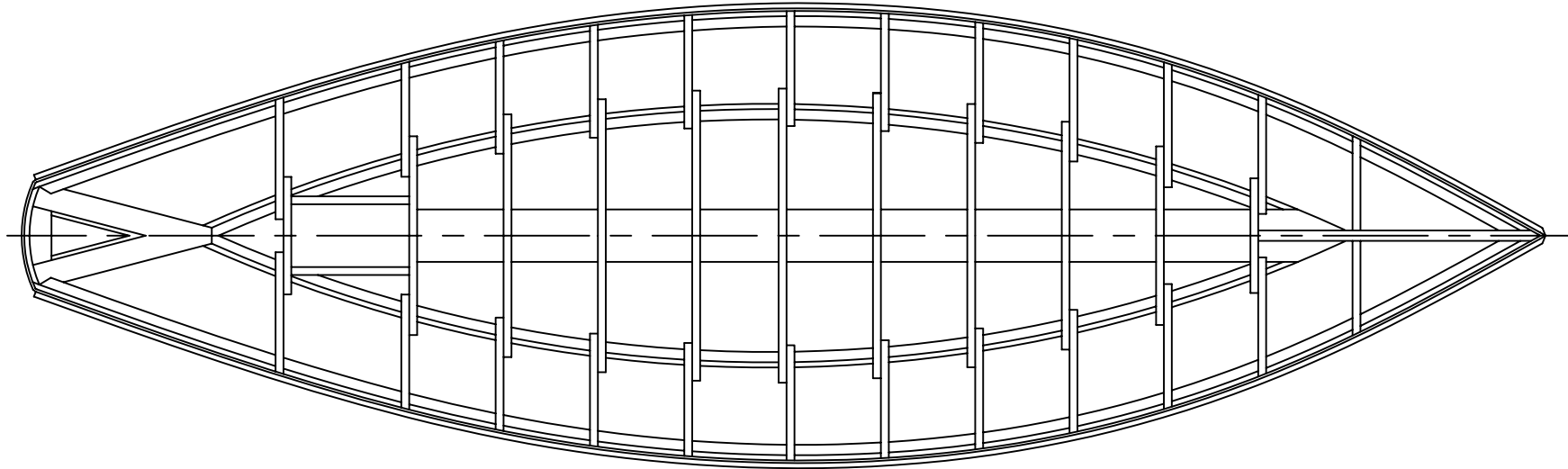
1

NOTICE
 THIS DRAWING CONTAINS A PROPRIETARY DESIGN ASSIGNED TO SPIRA INTERNATIONAL, INC. ALL RIGHTS TO DUPLICATE, TRANSFER OR SELL THIS DESIGN ARE EXPRESSLY RESERVED. THE BUYER IS LICENSED TO BUILD ONE ASSEMBLY FROM THESE PLANS.

REVISIONS				
ZONE	LTR	DESCRIPTION	DATE YR/MO/DA	APPROVED

D

D



C

C

B

B

A

A

SPECIFICATIONS
LENGTH OVERALL - 24' 2"
BEAM OVERALL - 7' 6"
MAXIMUM DRAFT - 6"
HEIGHT AT BOW - 3' 9"
MINIMUM FREEBOARD - 2' 10"

Spira International, Inc.
 Huntington Beach, California

LABRADOR GRAND BANKS DORY

DRAWN BY: JJS	DATE: 06/23/04	DRAWING NO. LABR01
SCALE 3/4" = 1'		SHEET OF

4

3

2

1

4

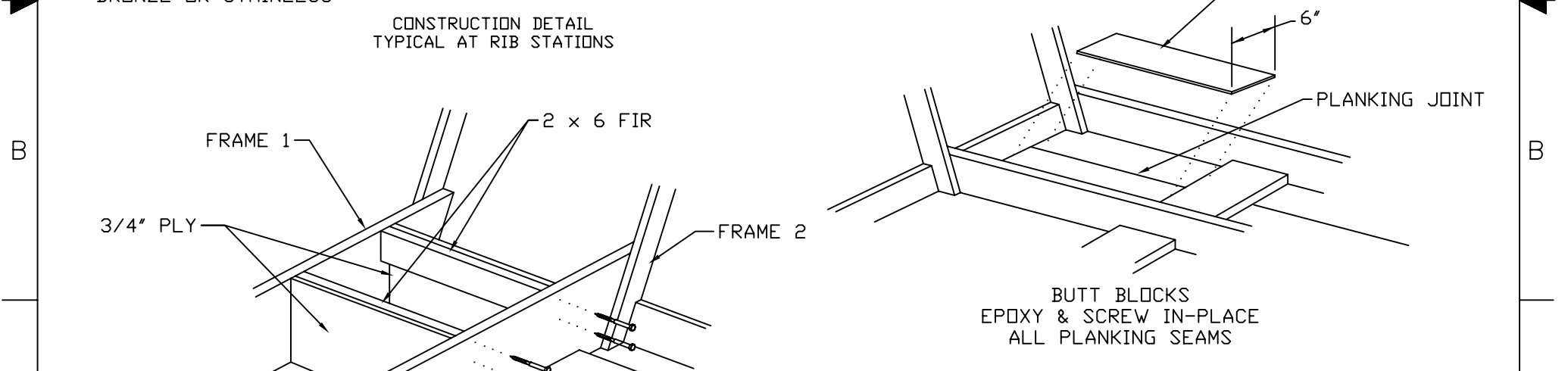
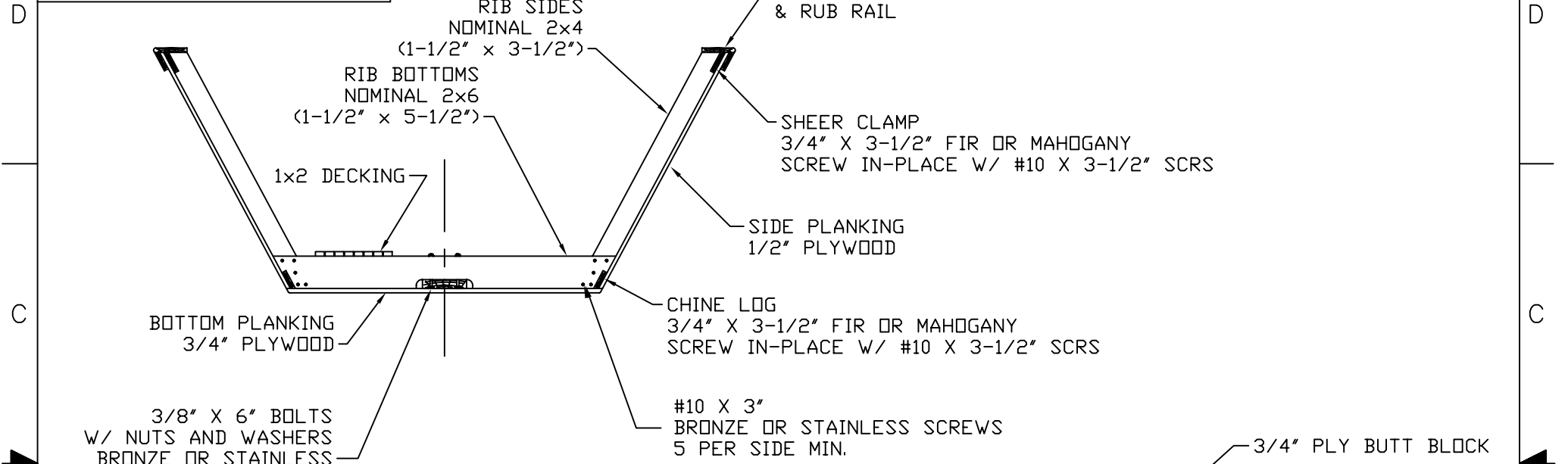
3

2

1

NOTICE
 THIS DRAWING CONTAINS A PROPRIETARY DESIGN ASSIGNED TO SPIRA INTERNATIONAL, INC. ALL RIGHTS TO DUPLICATE, TRANSFER OR SELL THIS DESIGN ARE EXPRESSLY RESERVED. THE BUYER IS LICENSED TO BUILD ONE ASSEMBLY FROM THESE PLANS.

REVISIONS				
ZONE	LTR	DESCRIPTION	DATE YR/MO/DA	APPROVED



MOTOR WELL DETAILS
NO SCALE

1/4" X 4" LAG SCREWS
2 EA JOINT
(4 FORWARD, 4 AFT)

BUTT BLOCKS
EPOXY & SCREW IN-PLACE
ALL PLANKING SEAMS

3/4" PLY BUTT BLOCK
6"

PLANKING JOINT

Spira International, Inc.
Huntington Beach, California

LABRADOR GRAND BANKS DORY
FRAMING DETAILS

DRAWN BY: JJS	DATE: 06/23/04	DRAWING NO. LABR04
SCALE 1" = 1'		SHEET OF

4

3

2

1

A

A

B

B

C

C

D

D