

4

3

2

1

NOTICE
 THIS DRAWING CONTAINS A PROPRIETARY DESIGN ASSIGNED TO SPIRA INTERNATIONAL, INC. ALL RIGHTS TO DUPLICATE, TRANSFER OR SELL THIS DESIGN ARE EXPRESSLY RESERVED. THE BUYER IS LICENSED TO BUILD ONE ASSEMBLY FROM THESE PLANS.

REVISIONS				
ZONE	LTR	DESCRIPTION	DATE YR/MO/DA	APPROVED

D

D

C

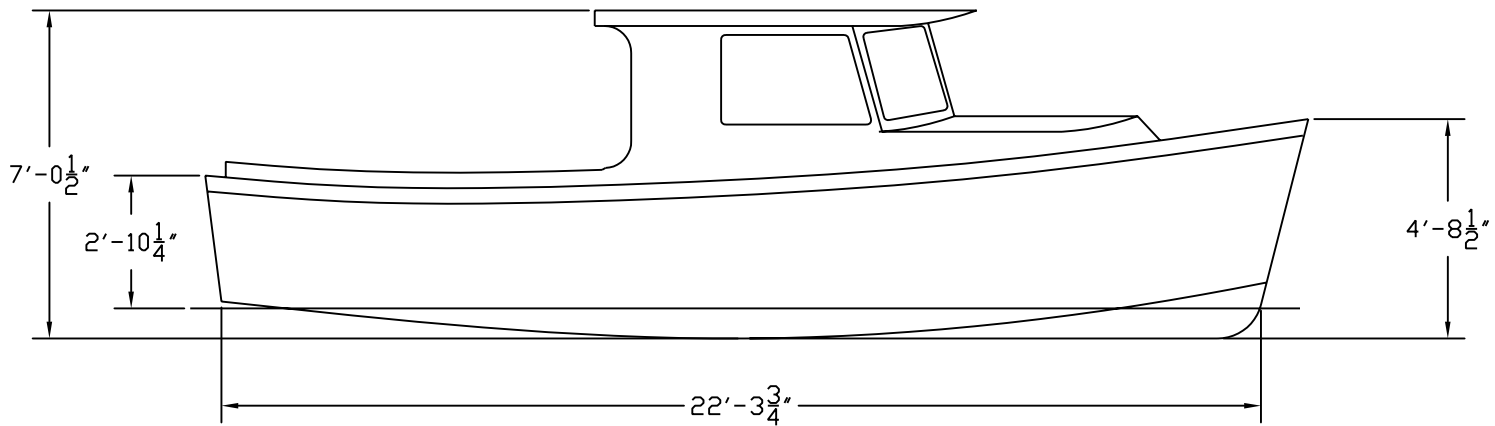
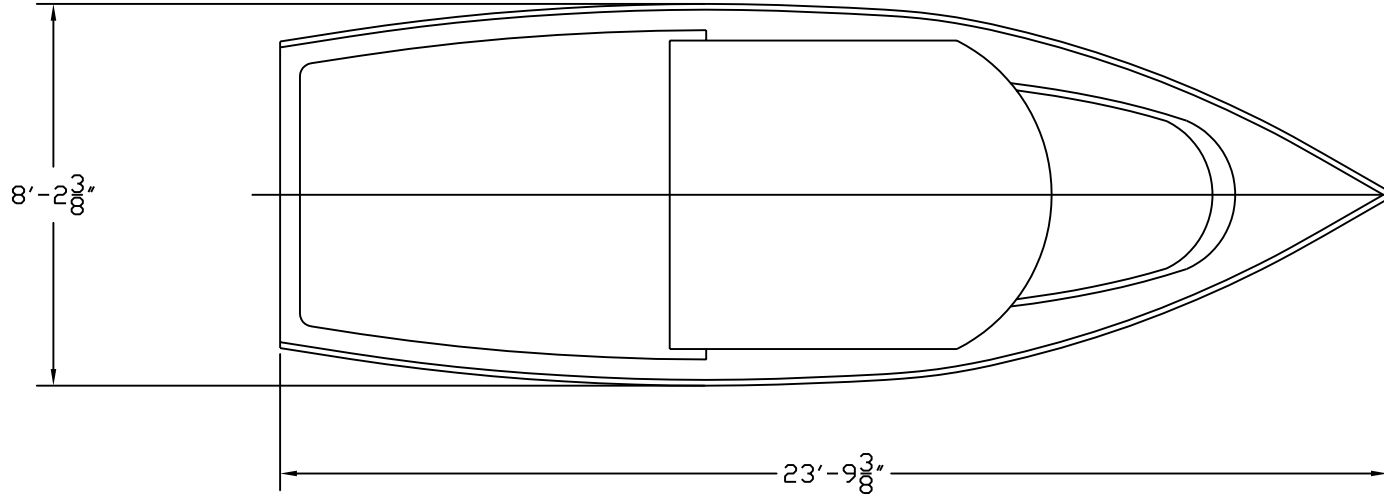
C

B

B

A

A



Spira International, Inc.
 Huntington Beach, California

LA PAZ
 24' MULLET SKIFF

DRAWN BY: J. SPIRA	DATE: 02/16/04	DRAWING NO. LAPA01
SCALE 1/2" = 1'		SHEET OF

4

3

2

1

4

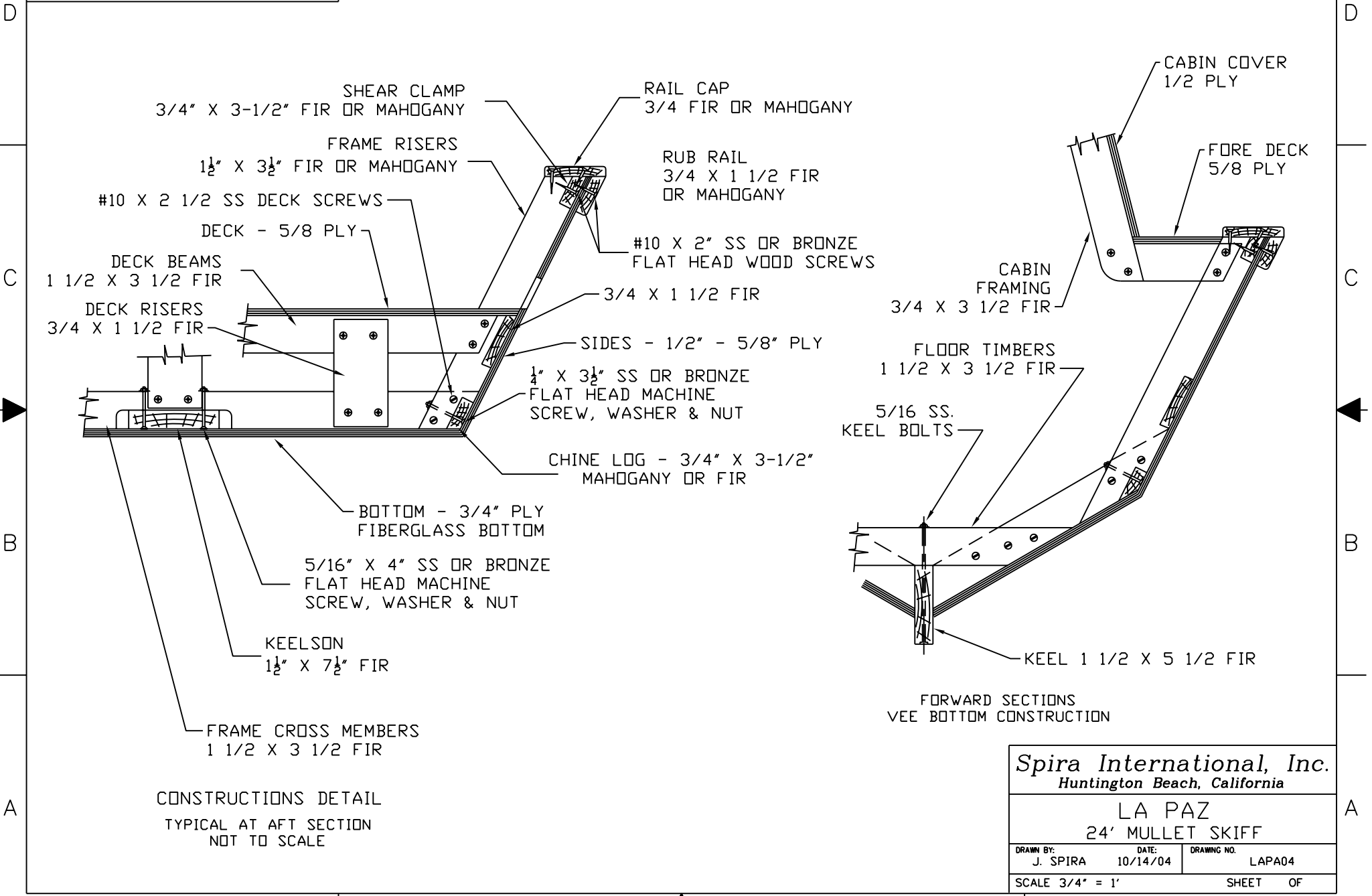
3

2

1

NOTICE
 THIS DRAWING CONTAINS A PROPRIETARY DESIGN ASSIGNED TO SPIRA INTERNATIONAL, INC. ALL RIGHTS TO DUPLICATE, TRANSFER OR SELL THIS DESIGN ARE EXPRESSLY RESERVED. THE BUYER IS LICENSED TO BUILD ONE ASSEMBLY FROM THESE PLANS.

REVISIONS				
ZONE	LTR	DESCRIPTION	DATE YR/MO/DA	APPROVED



Spira International, Inc.
 Huntington Beach, California

LA PAZ
 24' MULLET SKIFF

DRAWN BY: J. SPIRA	DATE: 10/14/04	DRAWING NO. LAPA04
SCALE 3/4" = 1'		SHEET OF

4

3

2

1