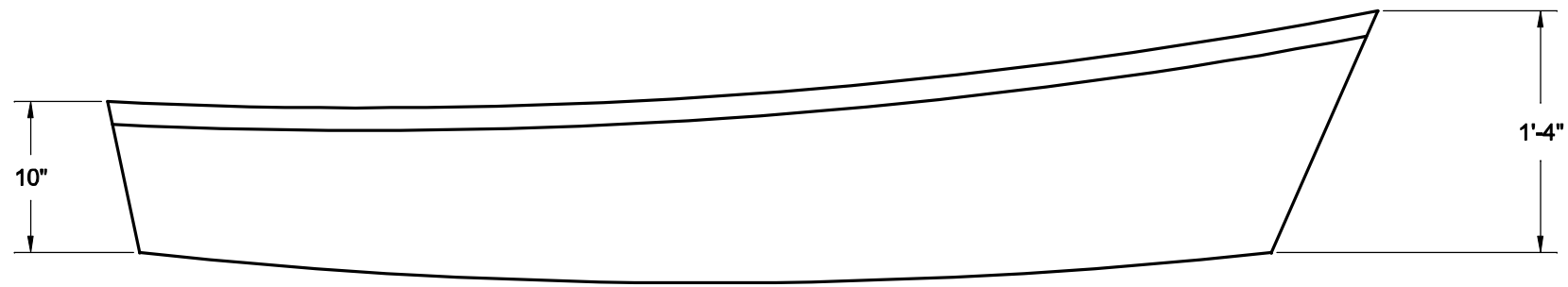
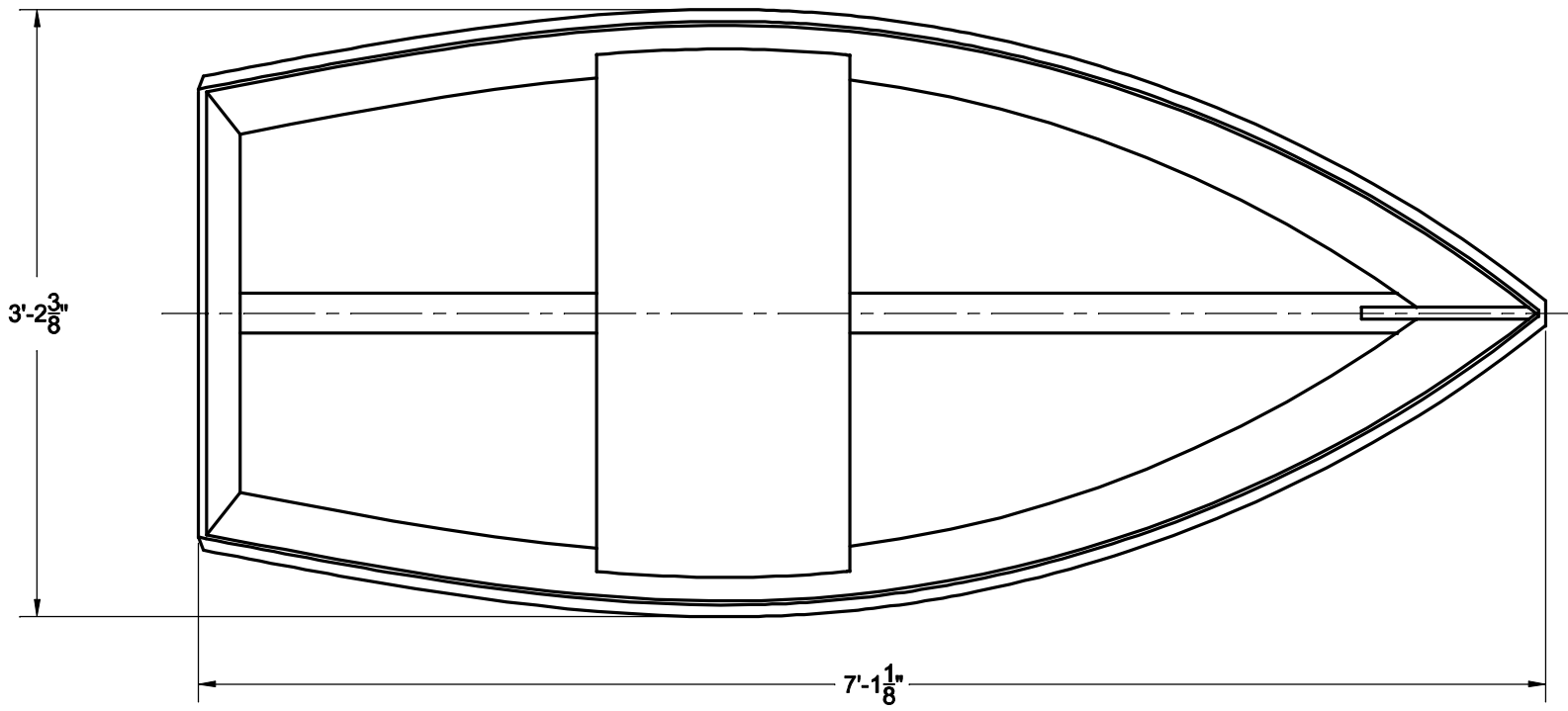


NOTICE
 THIS DRAWING CONTAINS A PROPRIETARY DESIGN ASSIGNED TO SPIRA INTERNATIONAL, INC. ALL RIGHTS TO DUPLICATE, TRANSFER OR SELL THIS DESIGN ARE EXPRESSLY RESERVED. THE BUYER IS LICENSED TO BUILD ONE ASSEMBLY FROM THESE PLANS.

REVISIONS				
ZONE	LTR	DESCRIPTION	DATE	APPROVED
	A	UPDATED TO NEW FORMAT	09/23/08	JJS



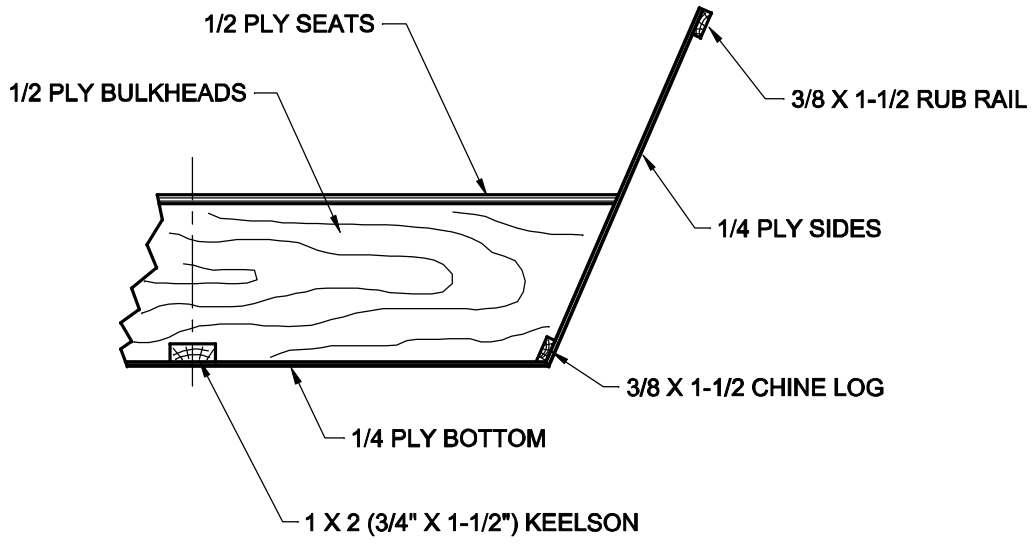
Spira International, Inc.
Huntington Beach, California

MINI-MISS
 7' STITCH & GLUE SKIFF

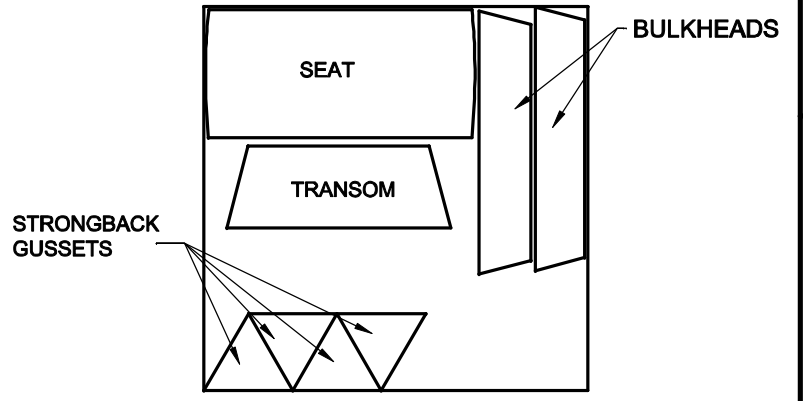
DRAWN BY: JJS	DATE: 03/22/04	DRAWING NO. MINI 01
SCALE 2" = 1'		SHEET OF

NOTICE
 THIS DRAWING CONTAINS A PROPRIETARY DESIGN ASSIGNED TO SPIRA INTERNATIONAL, INC. ALL RIGHTS TO DUPLICATE, TRANSFER OR SELL THIS DESIGN ARE EXPRESSLY RESERVED. THE BUYER IS LICENSED TO BUILD ONE ASSEMBLY FROM THESE PLANS.

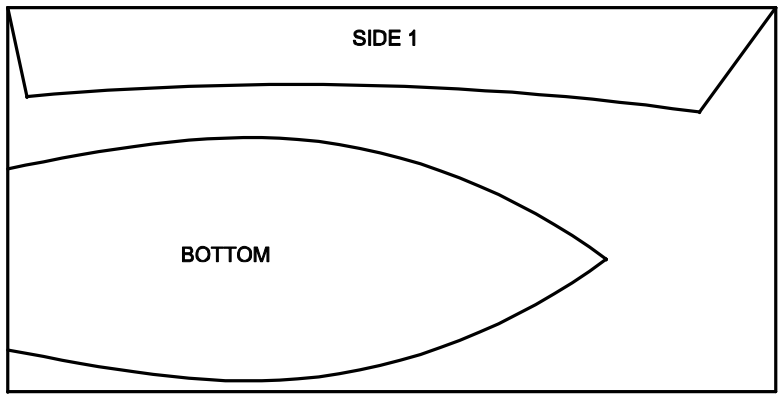
REVISIONS				
ZONE	LTR	DESCRIPTION	DATE	APPROVED
	A	UPDATED TO NEW FORMAT	09/23/08	JJS



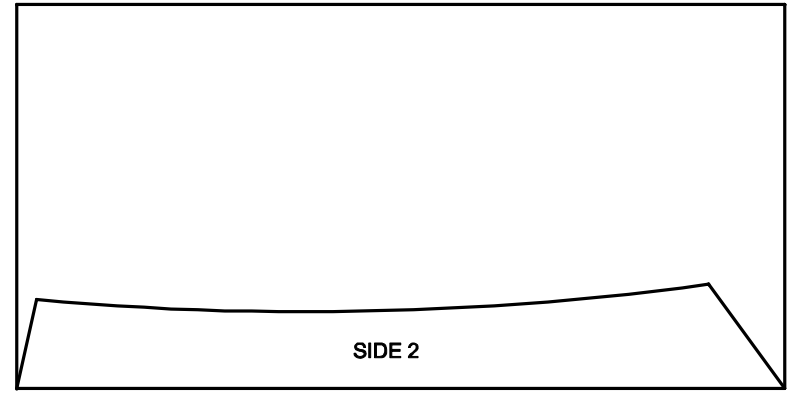
CONSTRUCTION
 NO SCALE



METHOD TO CUT 1/2\"/>
 TO MINIMIZE MATERIAL USAGE



METHOD TO CUT 1/4\"/>
 TO MINIMIZE MATERIAL USAGE



Spira International, Inc.
Huntington Beach, California

MINI-MISS
 7' STITCH & GLUE SKIFF

DRAWN BY: JJS	DATE: 03/22/04	DRAWING NO. MINI 03
SCALE 1" = 1' & NOTED		SHEET OF