

4

3

2

1

NOTICE
 THIS DRAWING CONTAINS A PROPRIETARY DESIGN ASSIGNED TO SPIRA INTERNATIONAL, INC. ALL RIGHTS TO DUPLICATE, TRANSFER OR SELL THIS DESIGN ARE EXPRESSLY RESERVED. THE BUYER IS LICENSED TO BUILD ONE ASSEMBLY FROM THESE PLANS.

REVISIONS				
ZONE	LTR	DESCRIPTION	DATE YR/MO/DA	APPROVED

D

D

C

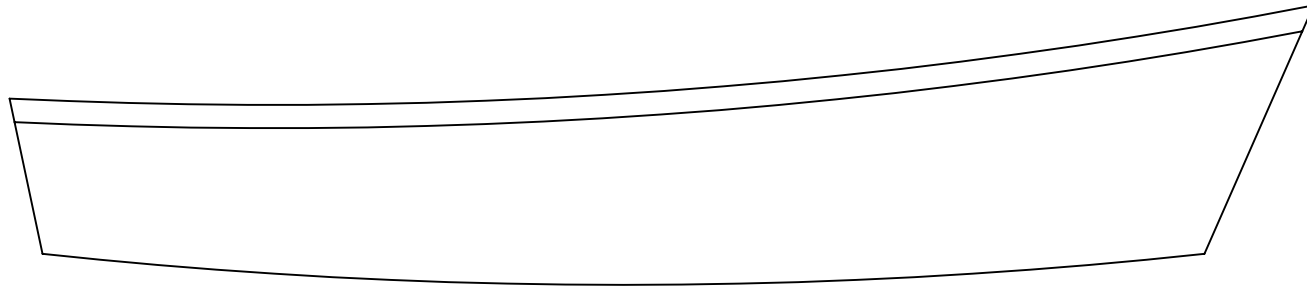
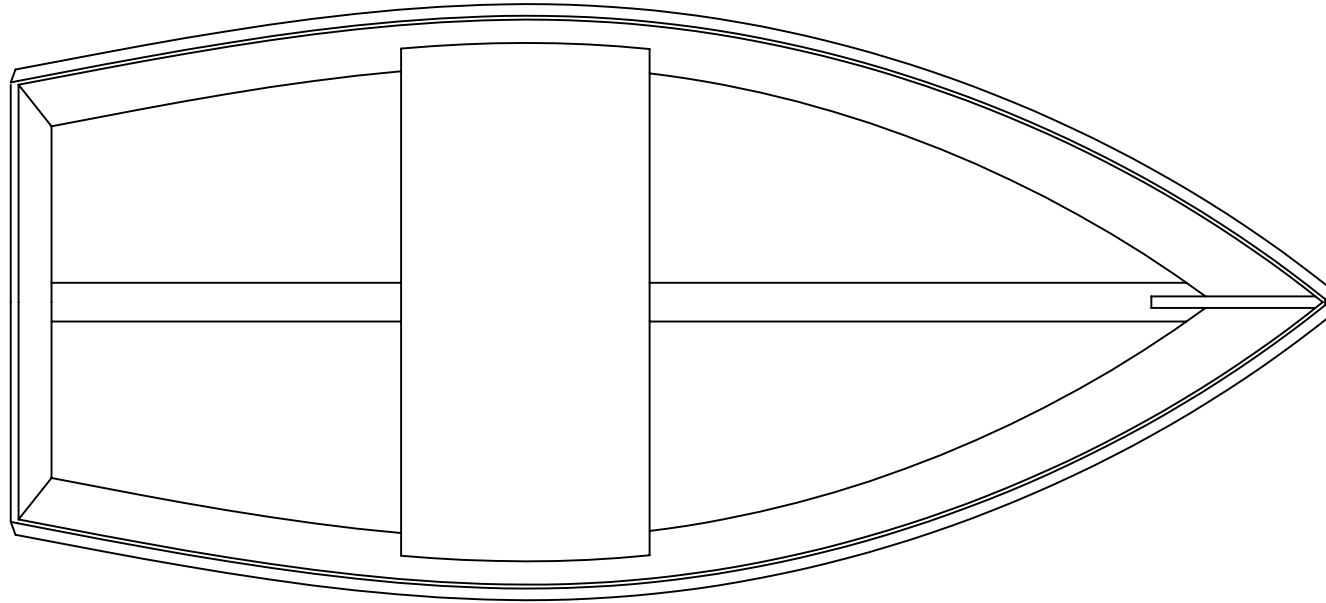
C

B

B

A

A



4

3

2

1

Spira International, Inc.
 Huntington Beach, California

MINI-MISS
 7' STITCH & GLUE SKIFF

DRAWN BY: JJS	DATE: 03/22/04	DRAWING NO. MINI 01
------------------	-------------------	------------------------

SCALE 2" = 1' SHEET OF

4

3

2

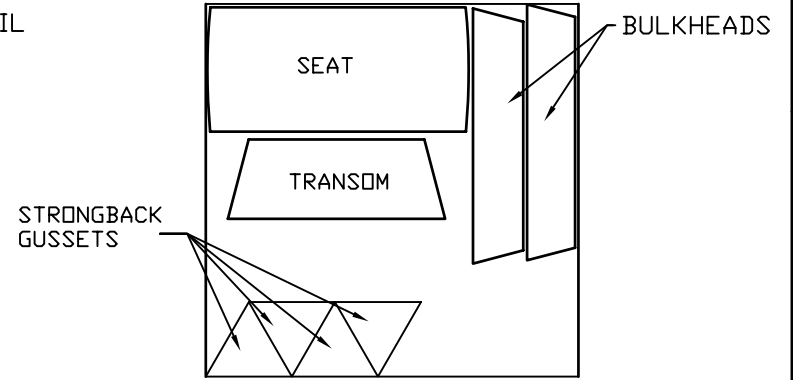
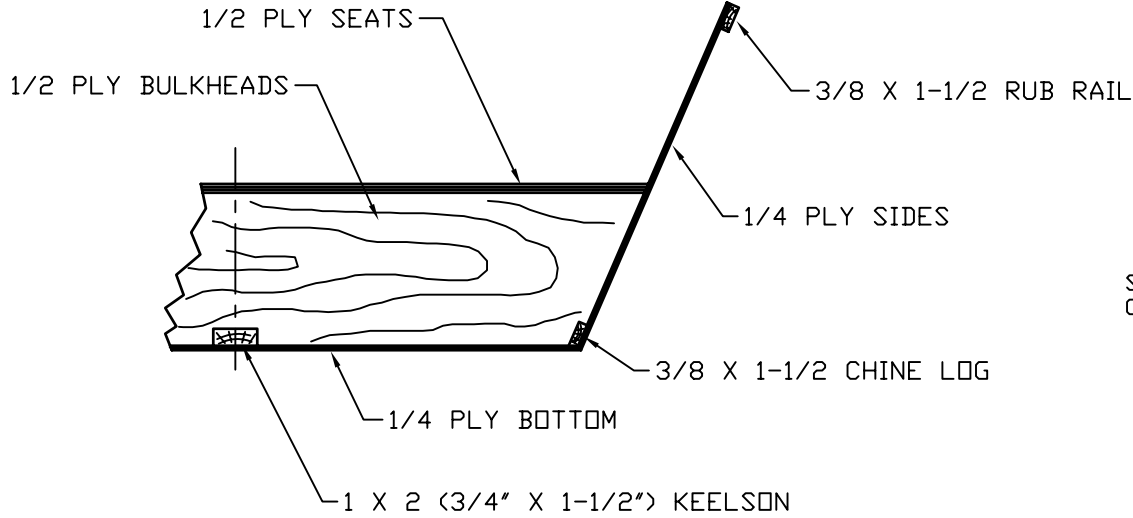
1

NOTICE
 THIS DRAWING CONTAINS A PROPRIETARY DESIGN ASSIGNED TO SPIRA INTERNATIONAL, INC. ALL RIGHTS TO DUPLICATE, TRANSFER OR SELL THIS DESIGN ARE EXPRESSLY RESERVED. THE BUYER IS LICENSED TO BUILD ONE ASSEMBLY FROM THESE PLANS.

REVISIONS					
ZONE	LTR	DESCRIPTION	DATE	YR/MO/DA	APPROVED

D

D



METHOD TO CUT 1/2" PLY TO MINIMIZE MATERIAL USAGE

CONSTRUCTION
 NO SCALE

C

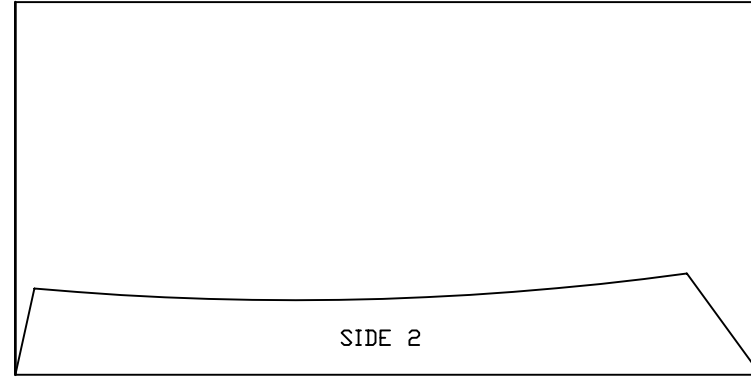
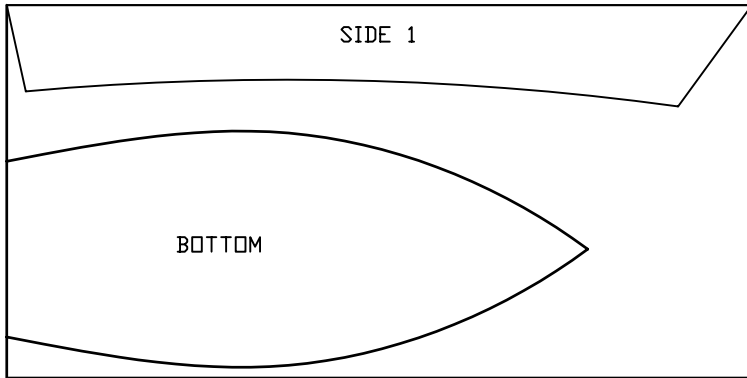
C

B

B

B

B



METHOD TO CUT 1/4" PLY TO MINIMIZE MATERIAL USAGE

A

A

Spira International, Inc.
 Huntington Beach, California

MINI-MISS
 7' STITCH & GLUE SKIFF

DRAWN BY: JJS DATE: 03/22/04 DRAWING NO. MINI 03

SCALE 1" = 1' & NOTED SHEET OF

4

3

2

1