

4

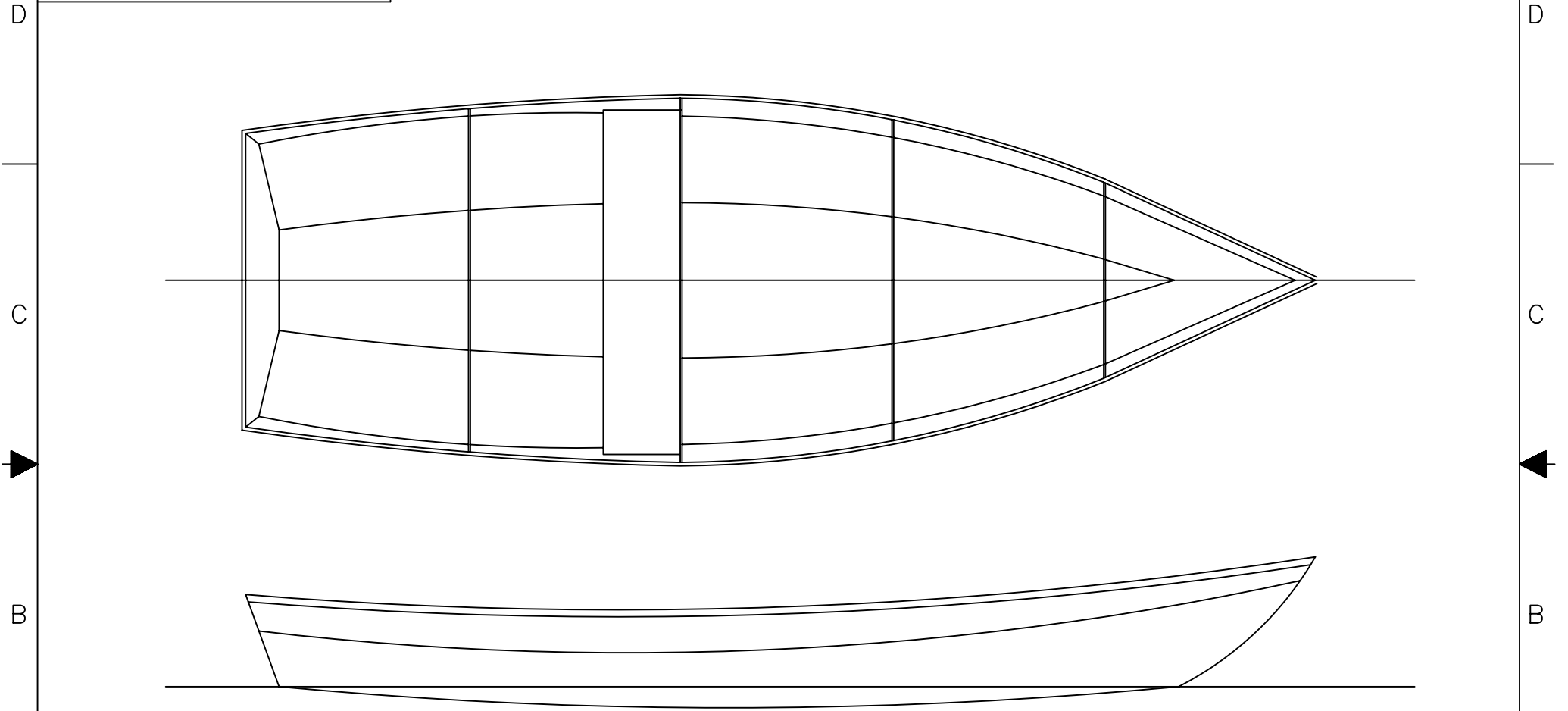
3

2

1

NOTICE
 THIS DRAWING CONTAINS A PROPRIETARY DESIGN ASSIGNED TO SPIRA INTERNATIONAL, INC. ALL RIGHTS TO DUPLICATE, TRANSFER OR SELL THIS DESIGN ARE EXPRESSLY RESERVED. THE BUYER IS LICENSED TO BUILD ONE ASSEMBLY FROM THESE PLANS.

REVISIONS				
ZONE	LTR	DESCRIPTION	DATE YR/MO/DA	APPROVED



SPECIFICATIONS	
LENGTH	13' 2"
BEAM	4 5"
HEIGHT	1' 7"
DRAFT	0' 3"
WEIGHT	56 LBS

Spira International, Inc.
 Huntington Beach, California

MINUTEMAN
 BATEAU 5 PLANK DORY

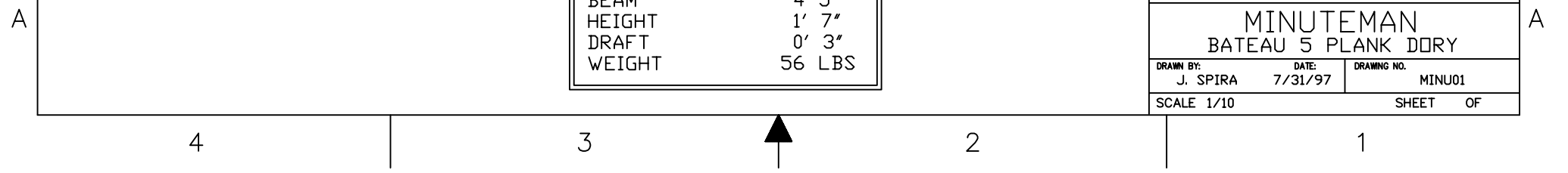
DRAWN BY: J. SPIRA	DATE: 7/31/97	DRAWING NO. MINU01
SCALE 1/10		SHEET OF

4

3

2

1



4

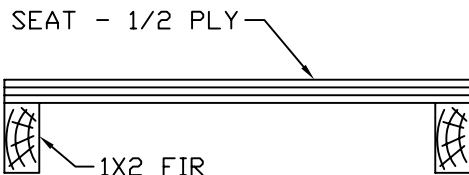
3

2

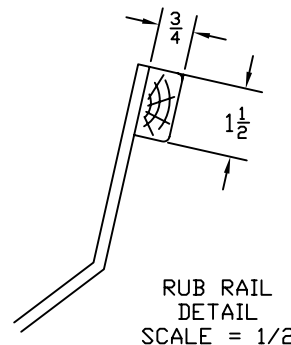
1

NOTICE
 THIS DRAWING CONTAINS A PROPRIETARY DESIGN ASSIGNED TO SPIRA INTERNATIONAL, INC. ALL RIGHTS TO DUPLICATE, TRANSFER OR SELL THIS DESIGN ARE EXPRESSLY RESERVED. THE BUYER IS LICENSED TO BUILD ONE ASSEMBLY FROM THESE PLANS.

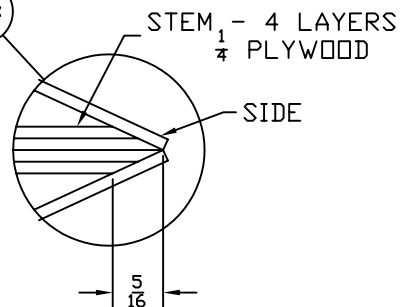
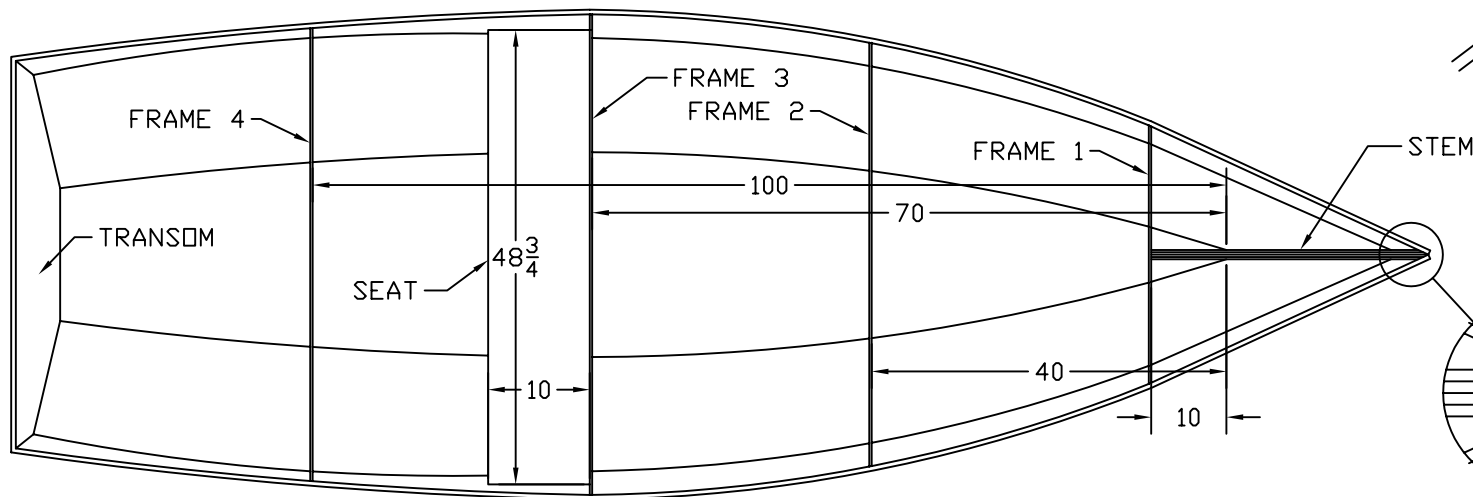
REVISIONS					
ZONE	LTR	DESCRIPTION	DATE	YR/MO/DA	APPROVED



SEAT & SUPPORTS
 SCALE = 1/2

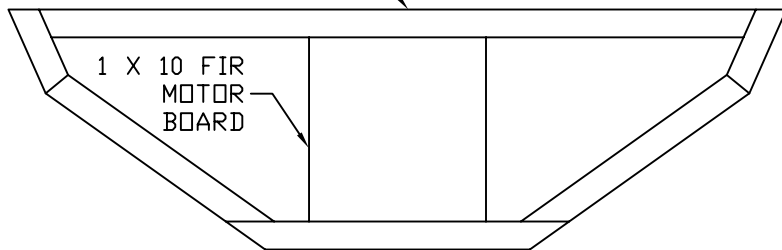


RUB RAIL
 DETAIL
 SCALE = 1/2

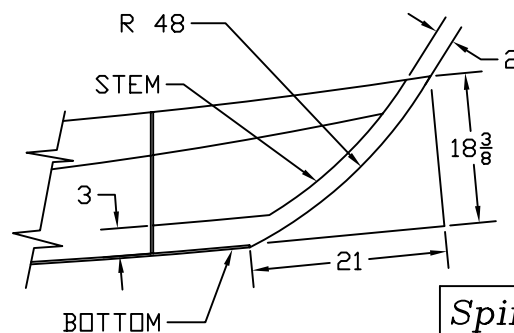


STEM - 4 LAYERS
 1/4 PLYWOOD

1 X 2 FIR FRAMING
 ALL AROUND



TRANSOM FRAMING & FAIRING DETAIL
 SCALE = 1/5



BOTTOM

Spira International, Inc.
 Huntington Beach, California

MINUTEMAN
 BATEAU 5 PLANK DORY

DRAWN BY: J. SPIRA DATE: 8/02/97 DRAWING NO. MINU03
 SCALE 1/10 SHEET OF

4

3

2

1