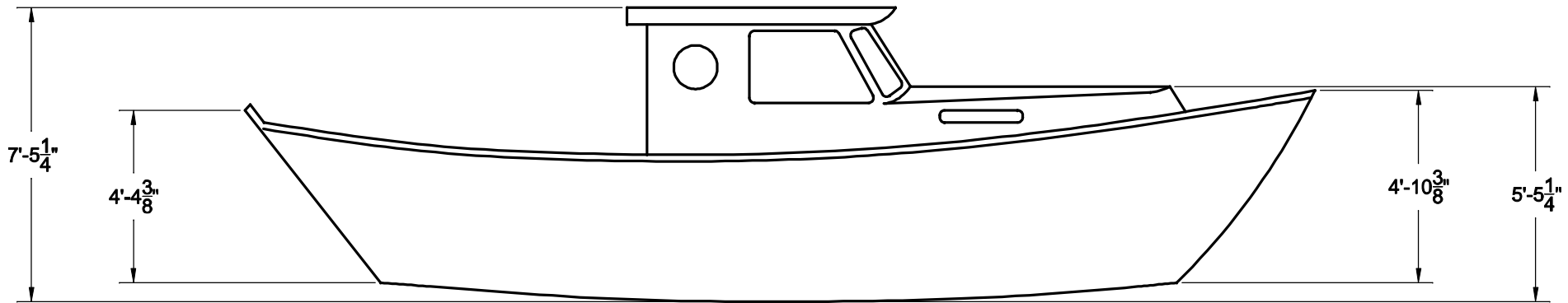
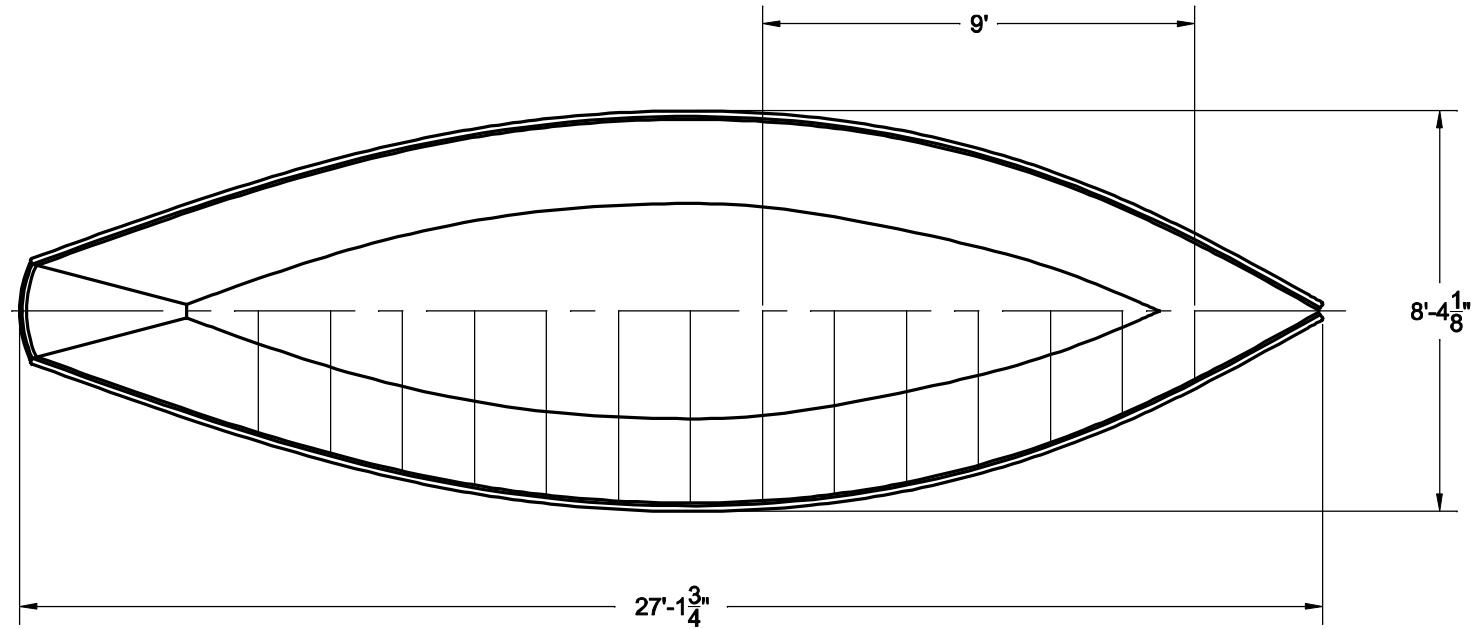


NOTICE
 THIS DRAWING CONTAINS A PROPRIETARY DESIGN ASSIGNED TO SPIRA INTERNATIONAL, INC. ALL RIGHTS TO DUPLICATE, TRANSFER OR SELL THIS DESIGN ARE EXPRESSLY RESERVED. THE BUYER IS LICENSED TO BUILD ONE ASSEMBLY FROM THESE PLANS.

REVISIONS				
ZONE	LTR	DESCRIPTION	DATE	APPROVED
	A	UPDATED TO NEW FORMAT	09/28/08	JJS



Spira International, Inc.
 Huntington Beach, California

NEWFIE
 27' GRAND BANKS DORY

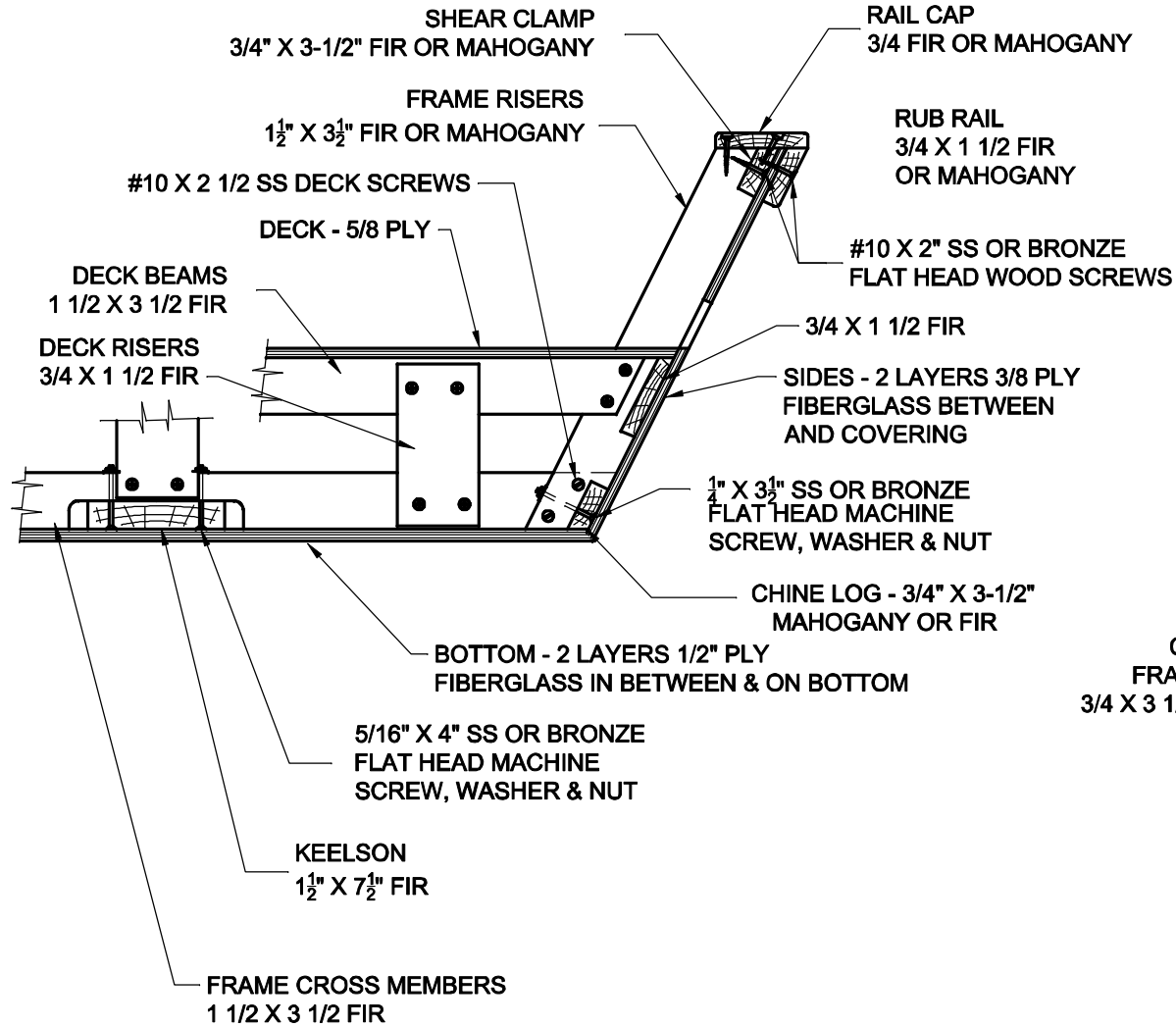
DRAWN BY: J. SPIRA	DATE: 09/03/06	DRAWING NO. NEWF01
SCALE 1/2" = 1'		SHEET OF

NOTICE

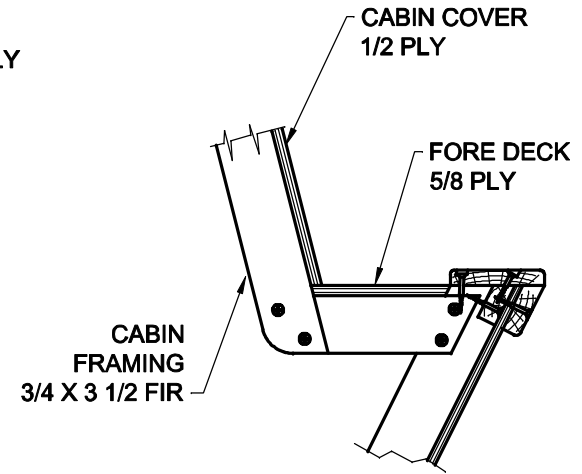
THIS DRAWING CONTAINS A PROPRIETARY DESIGN ASSIGNED TO SPIRA INTERNATIONAL, INC. ALL RIGHTS TO DUPLICATE, TRANSFER OR SELL THIS DESIGN ARE EXPRESSLY RESERVED. THE BUYER IS LICENSED TO BUILD ONE ASSEMBLY FROM THESE PLANS.

REVISIONS

ZONE	LTR	DESCRIPTION	DATE	APPROVED
	A	UPDATED TO NEW FORMAT	09/28/08	JJS



CONSTRUCTION DETAIL
TYPICAL AT AFT SECTION
NO SCALE



FORWARD SECTIONS
CABIN CONSTRUCTION
NO SCALE

Spira International, Inc.
Huntington Beach, California

NEWFIE
27' GRAND BANKS DORY

DRAWN BY: J. SPIRA	DATE: 01/14/08	DRAWING NO. NEWF04
SCALE 1/2" = 1' & NOTED		SHEET OF