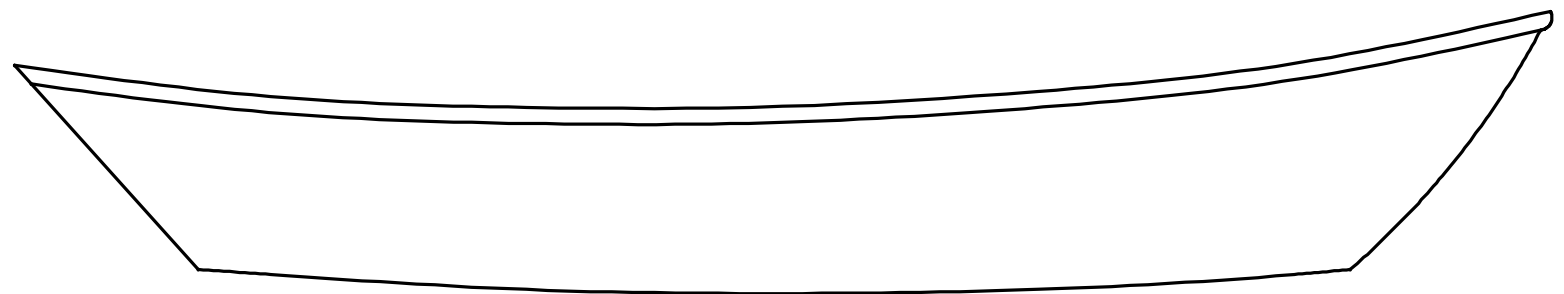
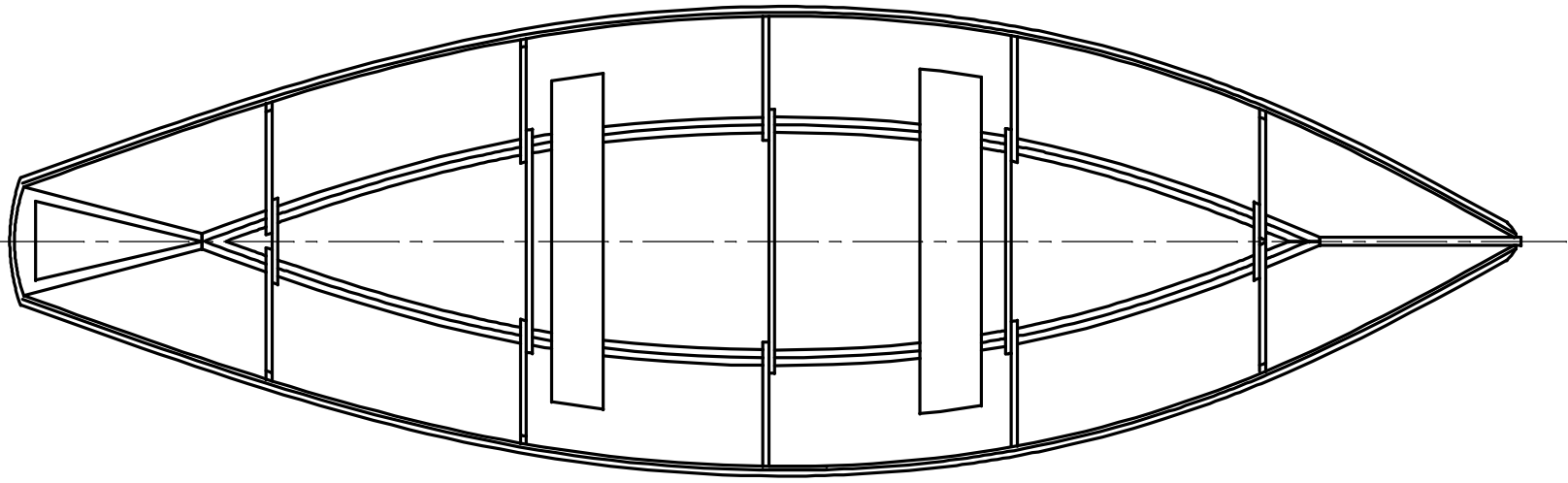


NOTICE
 THIS DRAWING CONTAINS A PROPRIETARY DESIGN ASSIGNED TO SPIRA INTERNATIONAL, INC. ALL RIGHTS TO DUPLICATE, TRANSFER OR SELL THIS DESIGN ARE EXPRESSLY RESERVED. THE BUYER IS LICENSED TO BUILD ONE ASSEMBLY FROM THESE PLANS.

REVISIONS				
ZONE	LTR	DESCRIPTION	DATE	APPROVED
	A	UPDATED TO NEW FORMAT	09/28/08	JJS



SPECIFICATIONS	
LENGTH	16' 2"
BEAM	4' 10"
HEIGHT	2' 11"
DRAFT	0' 3"
WEIGHT	190 LBS

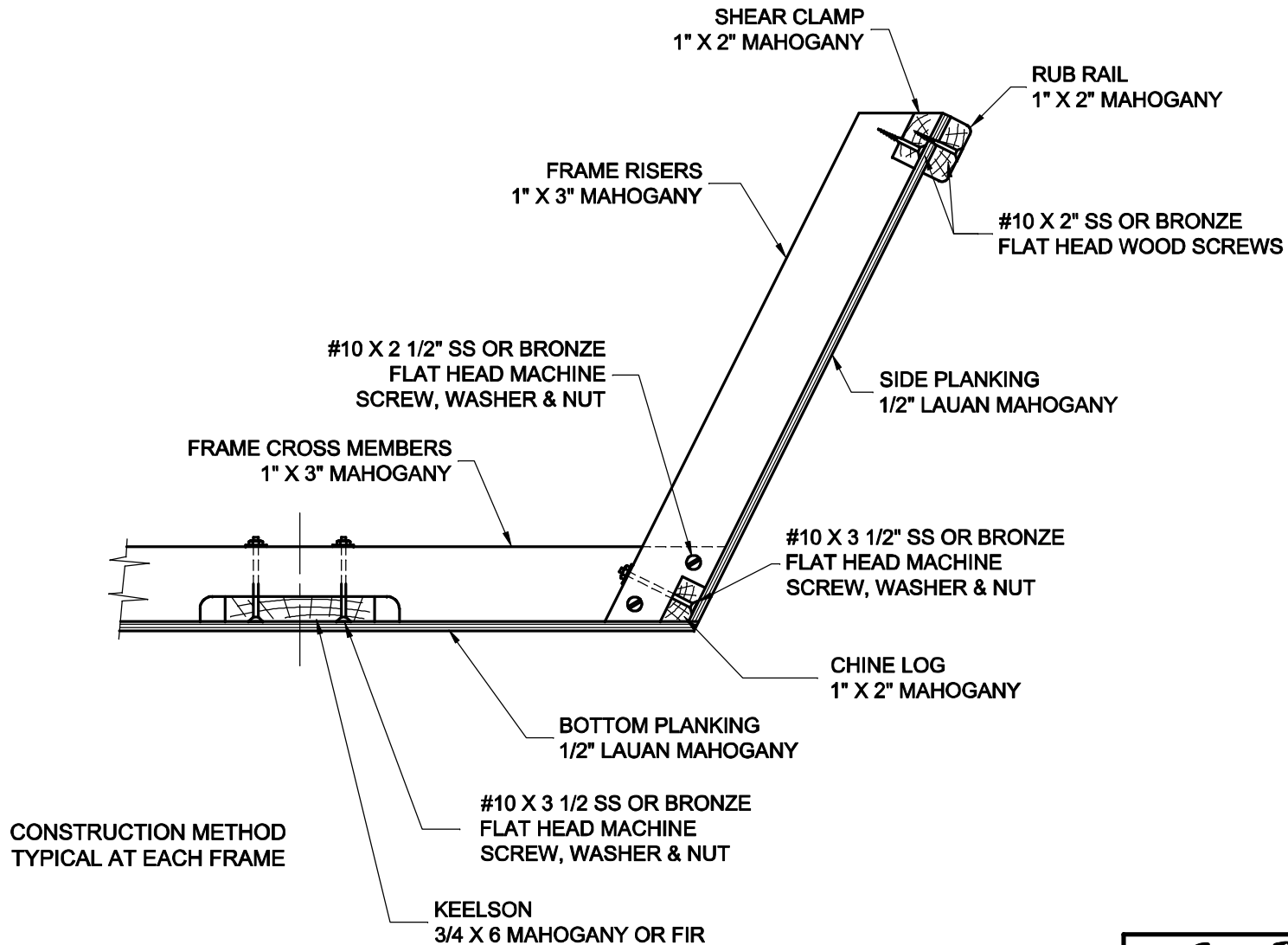
Spira International, Inc. <i>Huntington Beach, California</i>		
NOVA SCOTIAN 16' GRAND BANKS DORY		
DRAWN BY: J. SPIRA	DATE: 7/14/98	DRAWING NO. NOVA01
SCALE 1' = 1'		SHEET OF

NOTICE

THIS DRAWING CONTAINS A PROPRIETARY DESIGN ASSIGNED TO SPIRA INTERNATIONAL, INC. ALL RIGHTS TO DUPLICATE, TRANSFER OR SELL THIS DESIGN ARE EXPRESSLY RESERVED. THE BUYER IS LICENSED TO BUILD ONE ASSEMBLY FROM THESE PLANS.

REVISIONS

ZONE	LTR	DESCRIPTION	DATE	APPROVED
	A	UPDATED TO NEW FORMAT	09/26/08	JJS



Spira International, Inc.
 Huntington Beach, California

NOVA SCOTIAN
 16' GRAND BANKS DORY

DRAWN BY: J. SPIRA	DATE: 7/18/98	DRAWING NO. NOVA03
SCALE 1/5 & NOTED		SHEET OF