

4

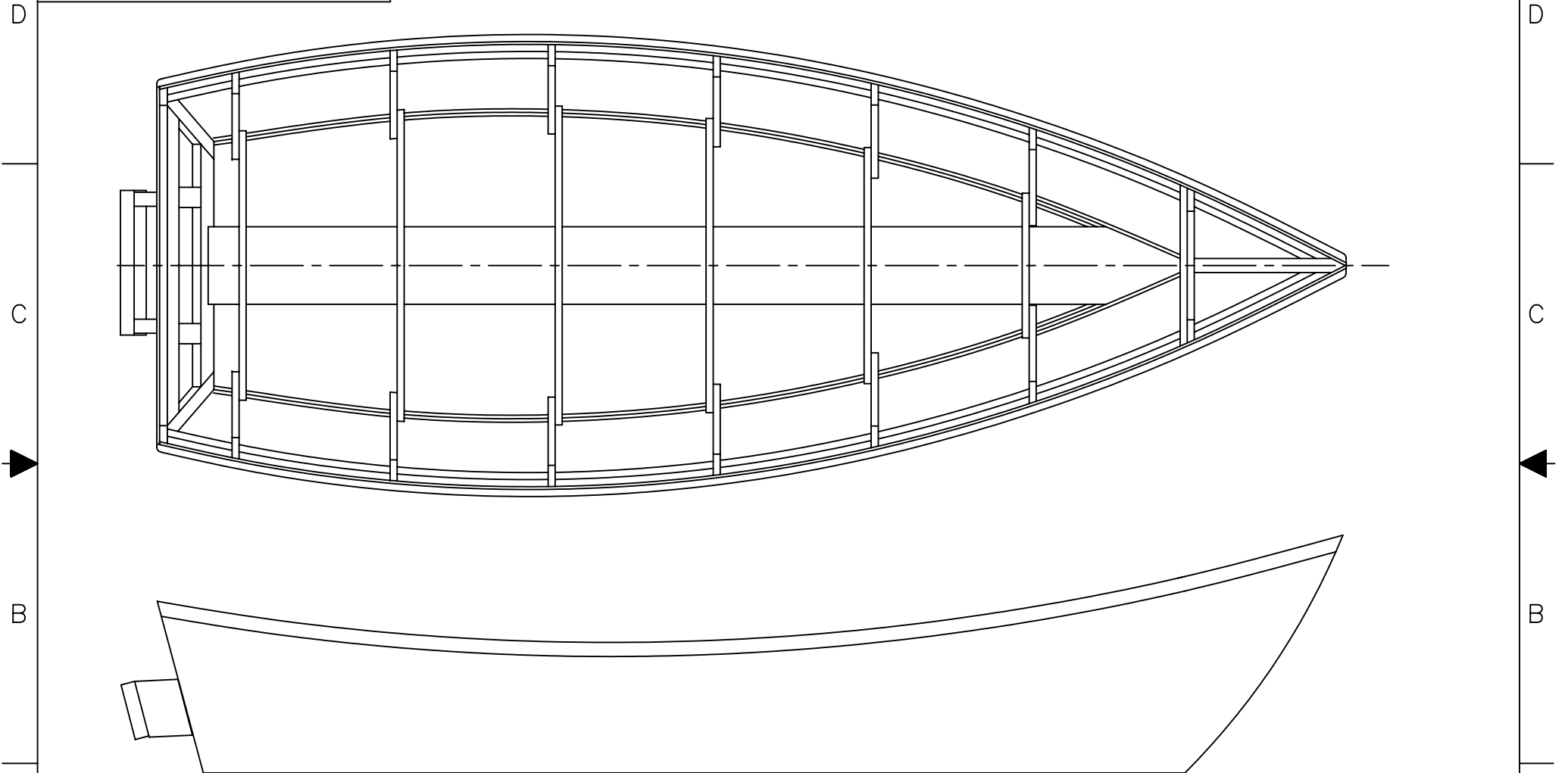
3

2

1

NOTICE
 THIS DRAWING CONTAINS A PROPRIETARY DESIGN ASSIGNED TO SPIRA INTERNATIONAL, INC. ALL RIGHTS TO DUPLICATE, TRANSFER OR SELL THIS DESIGN ARE EXPRESSLY RESERVED. THE BUYER IS LICENSED TO BUILD ONE ASSEMBLY FROM THESE PLANS.

REVISIONS				
ZONE	LTR	DESCRIPTION	DATE YR/MO/DA	APPROVED
	A	REVISED & UPDATED	09/04/05	JJS



SPECIFICATIONS	
LENGTH	14' 2"
BEAM	5' 4"
HEIGHT	2' 10"
DRAFT	0' 3"
WEIGHT	270 LBS

Spira International, Inc.
 Huntington Beach, California

PESCADERO
 14' CAROLINA DORY

DRAWN BY: J. SPIRA	DATE: 7/14/97	DRAWING NO. PESCO1
SCALE 1/10		SHEET OF

4

3

2

1

4

3

2

1

NOTICE
 THIS DRAWING CONTAINS A PROPRIETARY DESIGN ASSIGNED TO SPIRA INTERNATIONAL, INC. ALL RIGHTS TO DUPLICATE, TRANSFER OR SELL THIS DESIGN ARE EXPRESSLY RESERVED. THE BUYER IS LICENSED TO BUILD ONE ASSEMBLY FROM THESE PLANS.

REVISIONS				
ZONE	LTR	DESCRIPTION	DATE YR/MO/DA	APPROVED
	A	REVISED & UPDATED	01/04/05	JJS

D

D

C

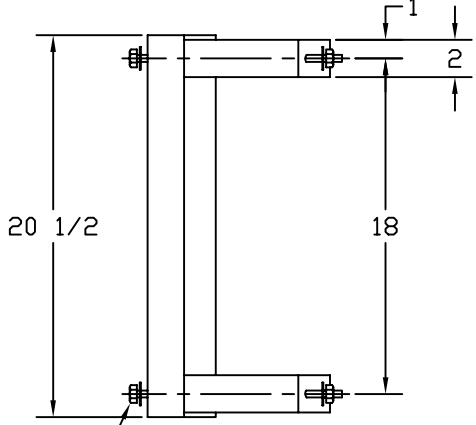
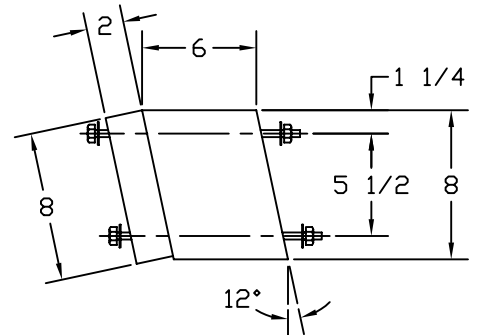
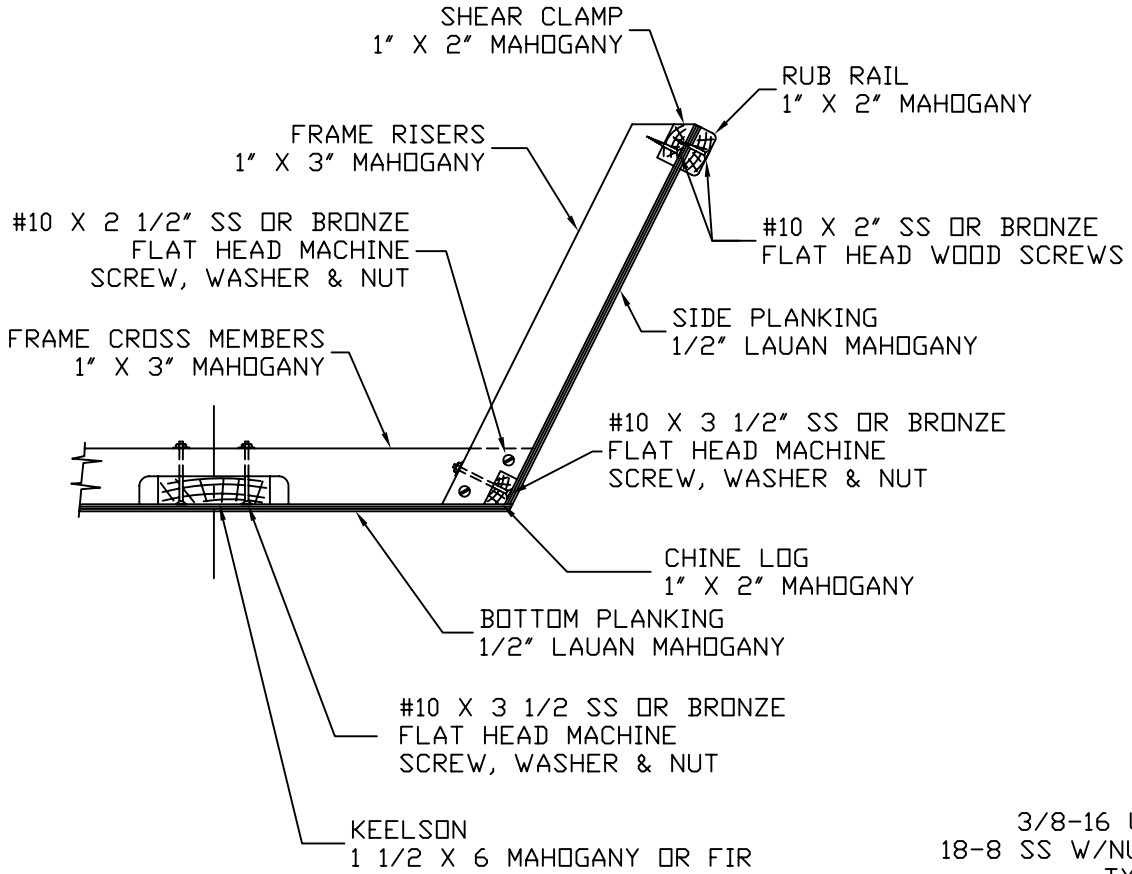
C

B

B

A

A



3/8-16 UNC X 10" BOLTS
 18-8 SS W/NUT & 2 WASHERS
 TYPICAL 4 PLACES
 BOLT THROUGH TRANSOM

OUTBOARD BRACKET
 9.9 HP MAXIMUM

CONSTRUCTION METHOD
 TYPICAL AT EACH FRAME

Spira International, Inc.
 Huntington Beach, California

PESCADERO
 14' CAROLINA DORY

DRAWN BY: J. SPIRA	DATE: 7/18/97	DRAWING NO. PESC03
SCALE 1/5 & NOTED		SHEET OF

4

3

2

1