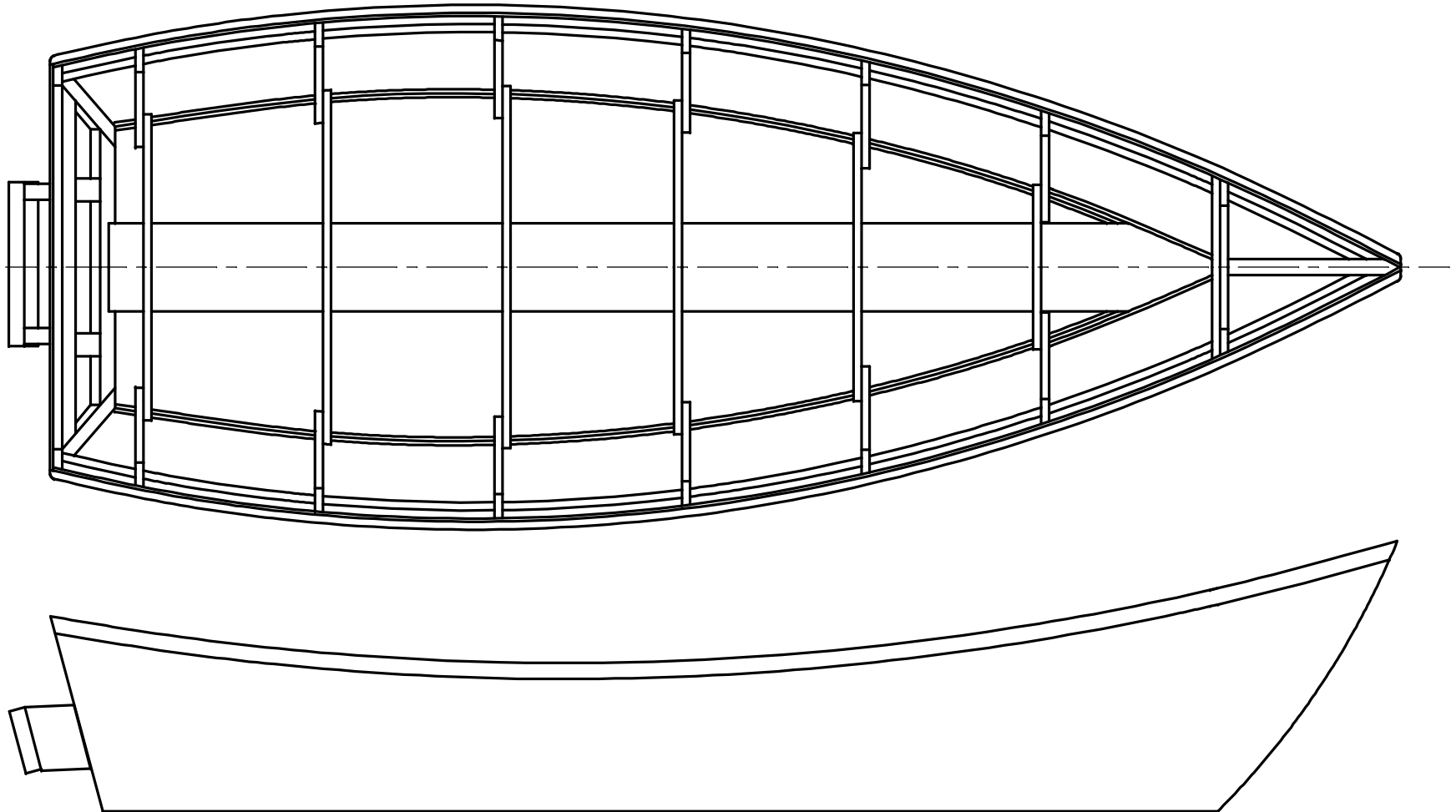


NOTICE

THIS DRAWING CONTAINS A PROPRIETARY DESIGN ASSIGNED TO SPIRA INTERNATIONAL, INC. ALL RIGHTS TO DUPLICATE, TRANSFER OR SELL THIS DESIGN ARE EXPRESSLY RESERVED. THE BUYER IS LICENSED TO BUILD ONE ASSEMBLY FROM THESE PLANS.

REVISIONS

ZONE	LTR	DESCRIPTION	DATE	APPROVED
	B	UPDATED TO NEW FORMAT	09/29/08	JJS



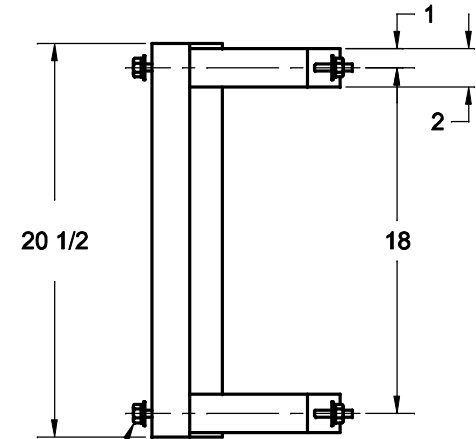
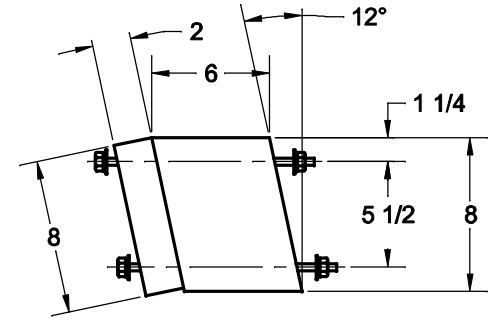
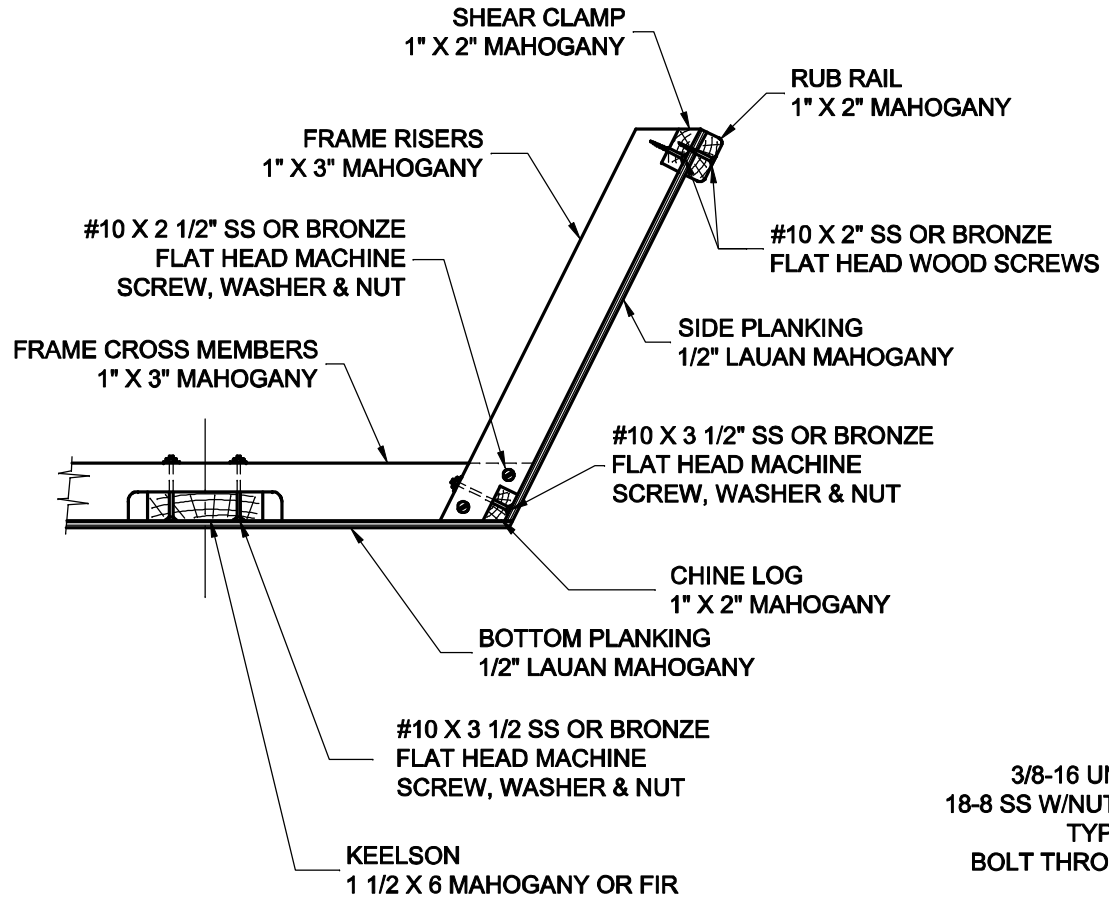
SPECIFICATIONS	
LENGTH	14' 2"
BEAM	5' 4"
HEIGHT	2' 10"
DRAFT	0' 3"
WEIGHT	270 LBS

Spira International, Inc. <i>Huntington Beach, California</i>		
PESCADERO 14' CAROLINA DORY		
DRAWN BY: J. SPIRA	DATE: 7/14/97	DRAWING NO. PESC01
SCALE 1/10		SHEET OF

NOTICE

THIS DRAWING CONTAINS A PROPRIETARY DESIGN ASSIGNED TO SPIRA INTERNATIONAL, INC. ALL RIGHTS TO DUPLICATE, TRANSFER OR SELL THIS DESIGN ARE EXPRESSLY RESERVED. THE BUYER IS LICENSED TO BUILD ONE ASSEMBLY FROM THESE PLANS.

REVISIONS				
ZONE	LTR	DESCRIPTION	DATE	APPROVED
	B	UPDATED TO NEW FORMAT	09/29/08	JJS



3/8-16 UNC X 10" BOLTS
18-8 SS W/NUT & 2 WASHERS
TYPICAL 4 PLACES
BOLT THROUGH TRANSOM

OUTBOARD BRACKET
9.9 HP MAXIMUM

CONSTRUCTION METHOD
TYPICAL AT EACH FRAME

Spira International, Inc. <i>Huntington Beach, California</i>		
PESCADERO 14' CAROLINA DORY		
DRAWN BY: J. SPIRA	DATE: 7/18/97	DRAWING NO. PESC03
SCALE 1/5 & NOTED		SHEET OF