

4

3

2

1

NOTICE  
 THIS DRAWING CONTAINS A PROPRIETARY DESIGN ASSIGNED TO SPIRA INTERNATIONAL, INC. ALL RIGHTS TO DUPLICATE, TRANSFER OR SELL THIS DESIGN ARE EXPRESSLY RESERVED. THE BUYER IS LICENSED TO BUILD ONE ASSEMBLY FROM THESE PLANS.

REVISIONS				
ZONE	LTR	DESCRIPTION	DATE YR/MO/DA	APPROVED

D

D

C

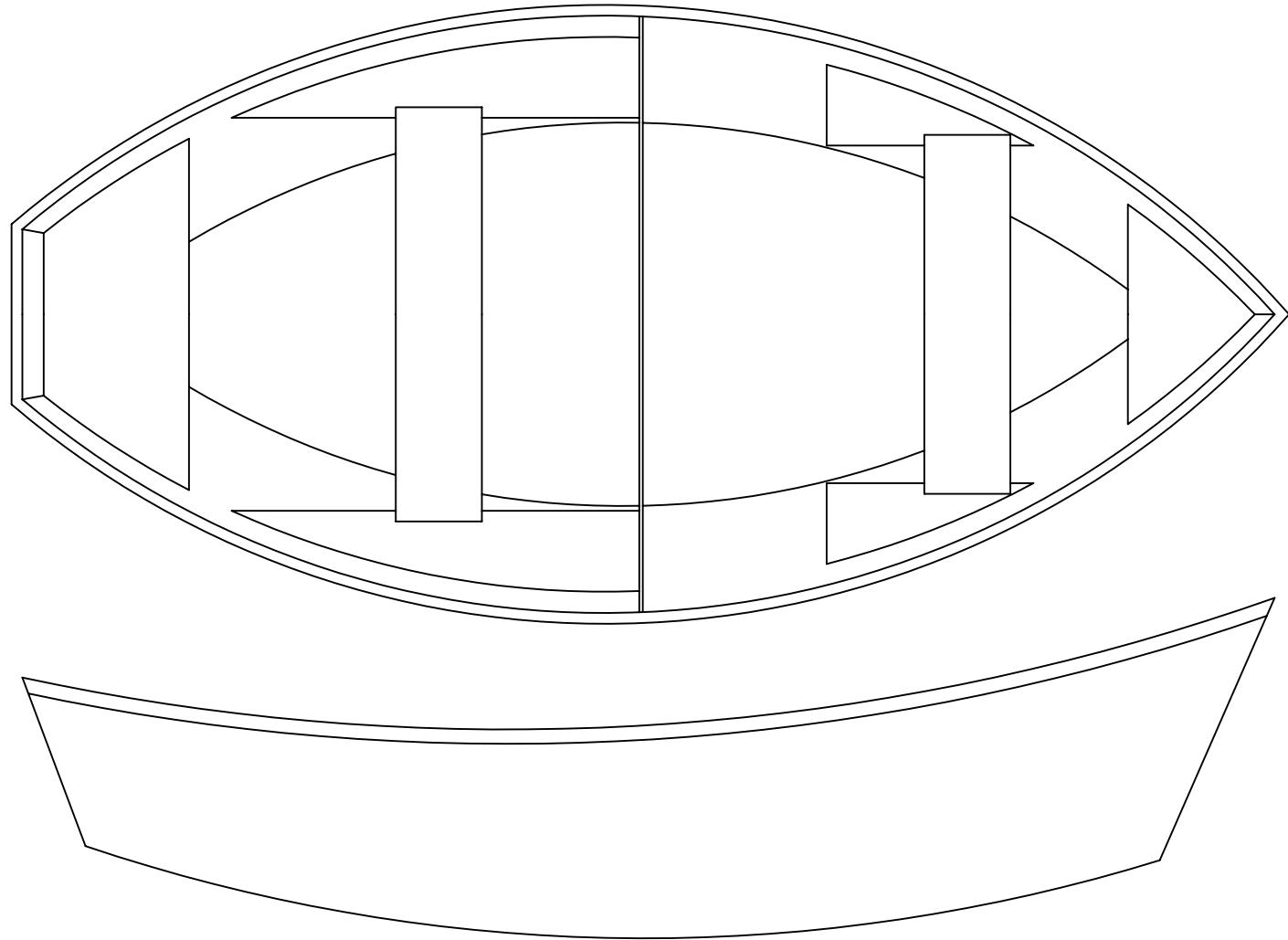
C

B

B

A

A



RIVERMAN	
LENGTH	14' 3"
BEAM	7' 2"
FREEBOARD	30"

<i>Spira International, Inc.</i> Huntington Beach, California		
RIVERMAN MCKENZIE RIVER DRIFT BOAT		
DRAWN BY: J. SPIRA	DATE: 990201	DRAWING NO. RIVE01
SCALE 1' = 1'		SHEET OF

4

3

2

1

4

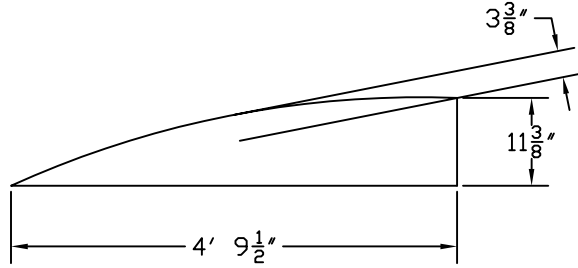
3

2

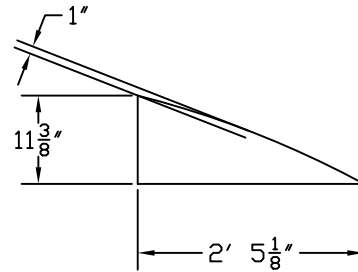
1

NOTICE  
 THIS DRAWING CONTAINS A PROPRIETARY DESIGN ASSIGNED TO SPIRA INTERNATIONAL, INC. ALL RIGHTS TO DUPLICATE, TRANSFER OR SELL THIS DESIGN ARE EXPRESSLY RESERVED. THE BUYER IS LICENSED TO BUILD ONE ASSEMBLY FROM THESE PLANS.

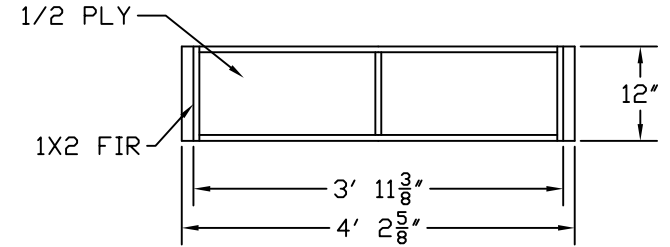
REVISIONS				
ZONE	LTR	DESCRIPTION	DATE YR/MO/DA	APPROVED



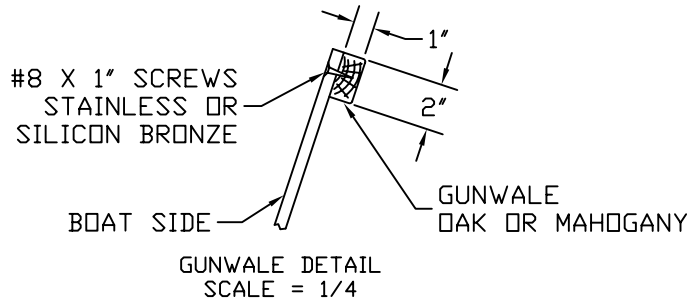
AFT TRAY  
 1/2 PLY - 2 REQ'D



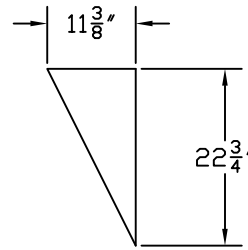
FORE TRAY  
 1/2 PLY - 2 REQ'D



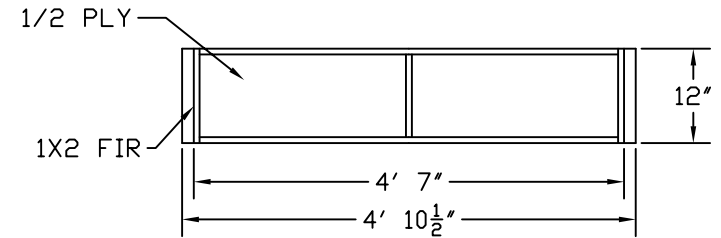
FORE SEAT  
 (UNDERSIDE VIEW)



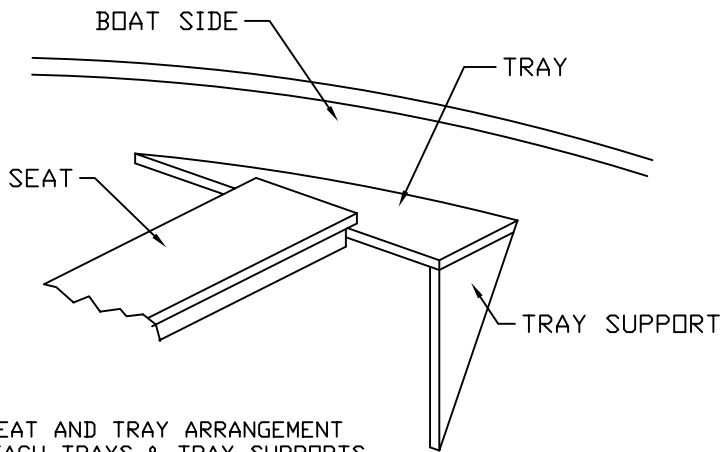
GUNWALE DETAIL  
 SCALE = 1/4



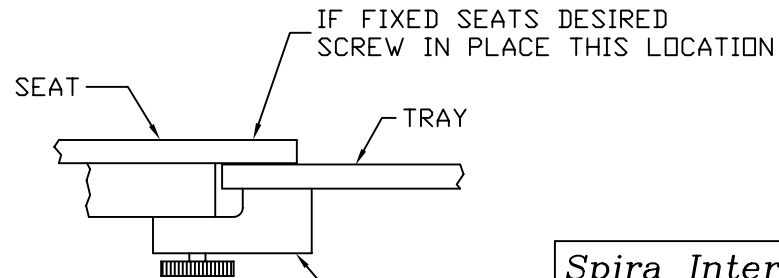
TRAY SUPPORT - 4 REQ'D  
 1/2 PLY



AFT SEAT  
 (UNDERSIDE VIEW)



SEAT AND TRAY ARRANGEMENT  
 ATTACH TRAYS & TRAY SUPPORTS  
 USING STITCH AND GLUE TECHNIQUES  
 NOT TO SCALE



OPTIONAL HARDWOOD CLAMP  
 IF ADJUSTABLE SEATS  
 SEAT ATTACH DETAIL  
 SCALE = 1/2

*Spira International, Inc.*  
 Huntington Beach, California

RIVERMAN  
 DETAILS

DRAWN BY: J. SPIRA      DATE: 990218      DRAWING NO. RIVE04

SCALE 1" = 1'      SHEET OF

4

3

2

1