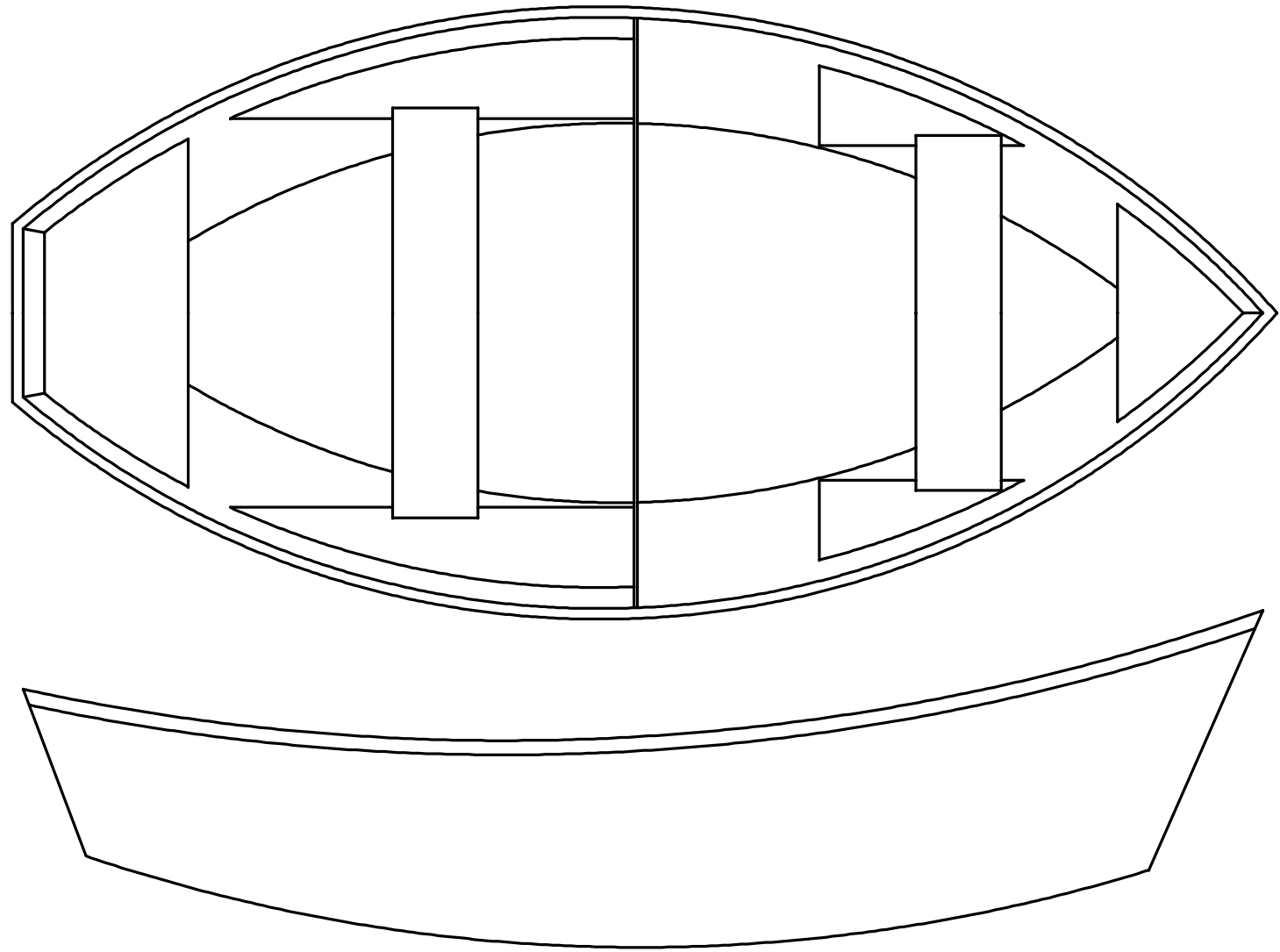


NOTICE
 THIS DRAWING CONTAINS A PROPRIETARY DESIGN ASSIGNED TO SPIRA INTERNATIONAL, INC. ALL RIGHTS TO DUPLICATE, TRANSFER OR SELL THIS DESIGN ARE EXPRESSLY RESERVED. THE BUYER IS LICENSED TO BUILD ONE ASSEMBLY FROM THESE PLANS.

REVISIONS				
ZONE	LTR	DESCRIPTION	DATE	APPROVED
	A	UPDATED TO NEW FORMAT	09/29/08	JJS

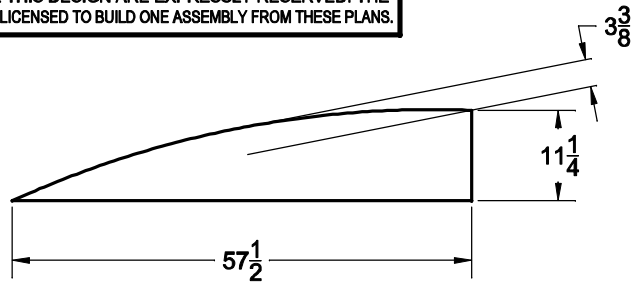


RIVERMAN	
LENGTH	14' 3"
BEAM	7' 2"
FREEBOARD	30"

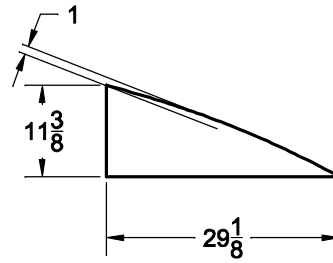
Spira International, Inc. <i>Huntington Beach, California</i>		
RIVERMAN MCKENZIE RIVER DRIFT BOAT		
DRAWN BY: J. SPIRA	DATE: 02/01/99	DRAWING NO. RIVE01
SCALE	1" = 1'	SHEET OF

NOTICE
 THIS DRAWING CONTAINS A PROPRIETARY DESIGN ASSIGNED TO SPIRA INTERNATIONAL, INC. ALL RIGHTS TO DUPLICATE, TRANSFER OR SELL THIS DESIGN ARE EXPRESSLY RESERVED. THE BUYER IS LICENSED TO BUILD ONE ASSEMBLY FROM THESE PLANS.

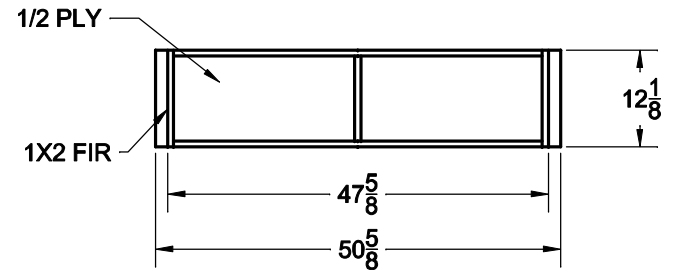
REVISIONS				
ZONE	LTR	DESCRIPTION	DATE	APPROVED
	A	UPDATED TO NEW FORMAT	09/29/08	JJS



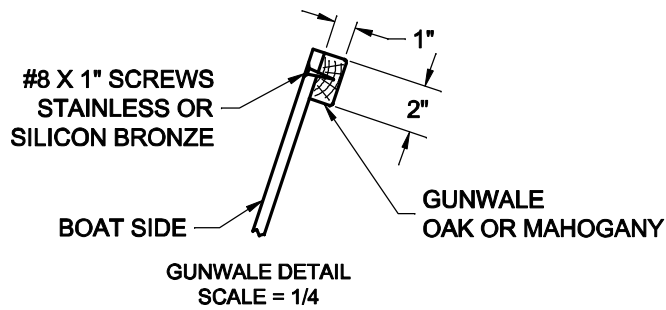
AFT TRAY
 1/2 PLY - 2 REQ'D



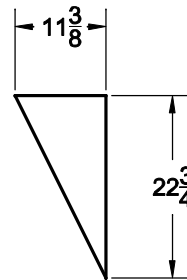
FORE TRAY
 1/2 PLY - 2 REQ'D



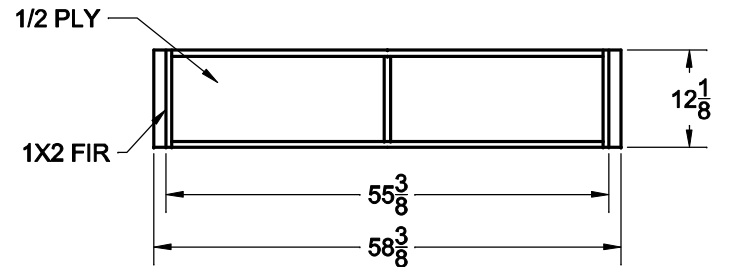
FORE SEAT
 (UNDERSIDE VIEW)



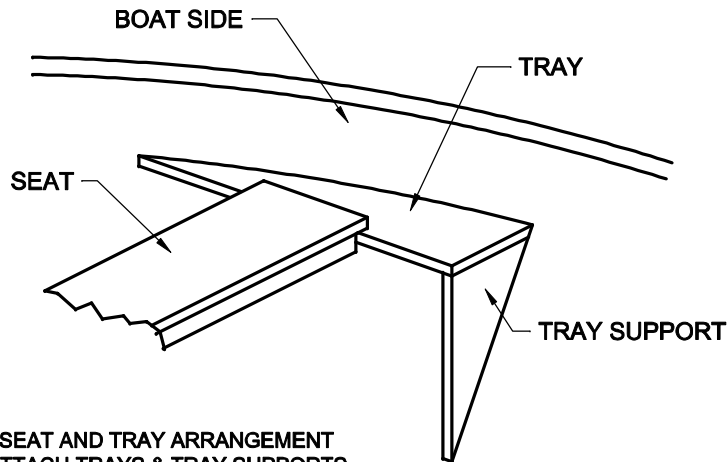
GUNWALE DETAIL
 SCALE = 1/4



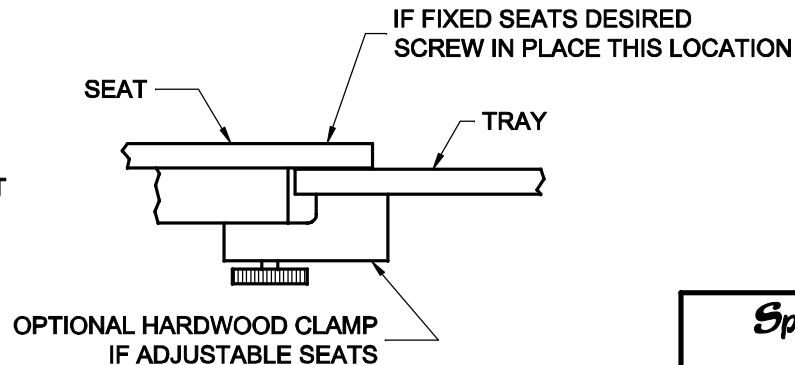
TRAY SUPPORT - 4 REQ'D
 1/2 PLY



AFT SEAT
 (UNDERSIDE VIEW)



SEAT AND TRAY ARRANGEMENT
 ATTACH TRAYS & TRAY SUPPORTS
 USING STITCH AND GLUE TECHNIQUES
 NOT TO SCALE



SEAT ATTACH DETAIL
 SCALE = 1/2

Spira International, Inc.
 Huntington Beach, California

**RIVERMAN
 DETAILS**

DRAWN BY: J. SPIRA	DATE: 02/18/99	DRAWING NO. RIVE04
SCALE 1" = 1'		SHEET OF