

4

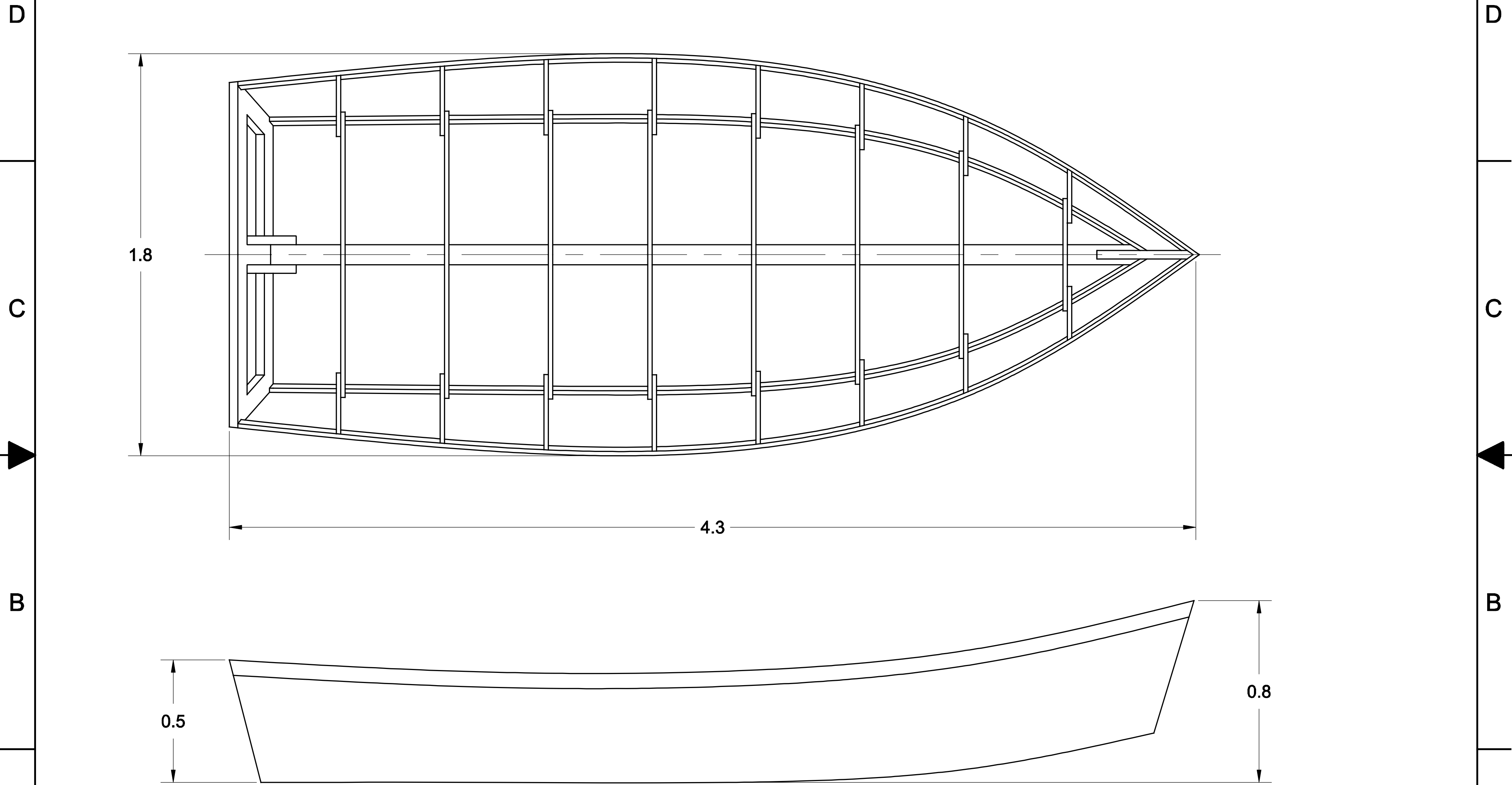
3

2

1

NOTICE
 THIS DRAWING CONTAINS A PROPRIETARY DESIGN ASSIGNED TO SPIRA INTERNATIONAL, INC. ALL RIGHTS TO DUPLICATE, TRANSFER OR USE ARE EXPRESSLY RESERVED BY SPIRA INTERNATIONAL. THE BUYER IS LICENSED TO BUILD ONE ASSEMBLY FROM THESE PLANS.

REVISIONS				
ZONE	LTR	DESCRIPTION	DATE	APPROVED



Spira International, Inc.
Huntington Beach, California

SENECA
4.3 M PACIFIC POWER DORY

DRAWN BY: J. SPIRA	DATE: 08/17/10	DRAWING NO. SENAM01
SCALE 1/12		SHEET OF

4

3

2

1

4

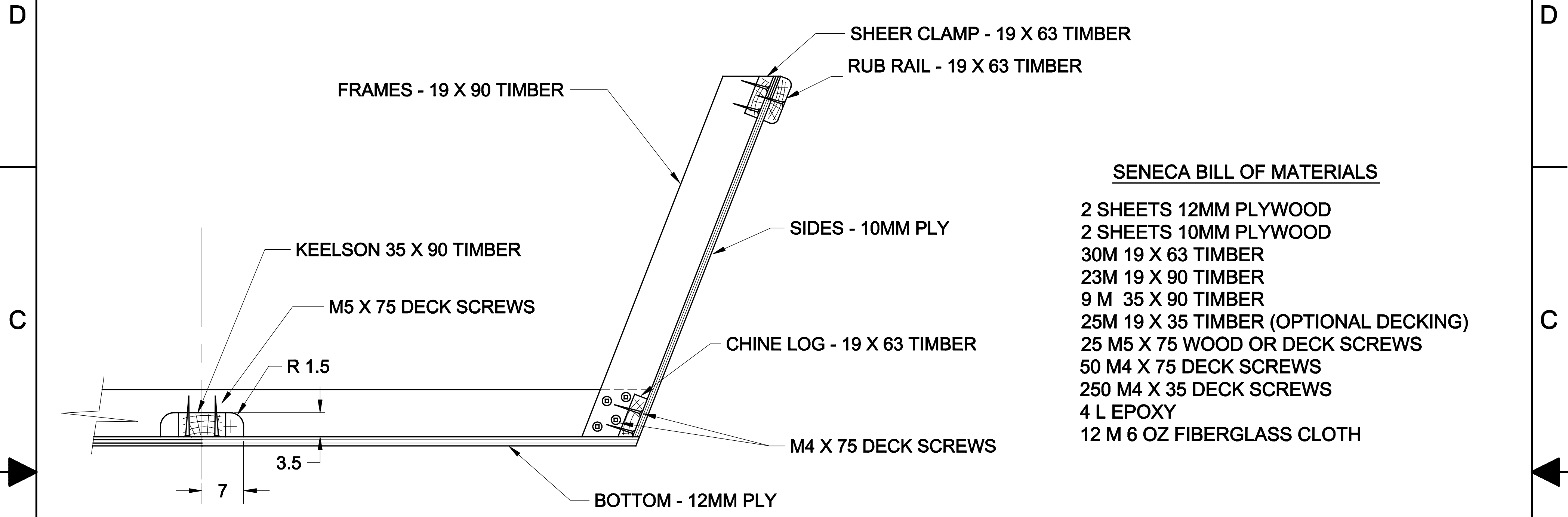
3

2

1

NOTICE
 THIS DRAWING CONTAINS A PROPRIETARY DESIGN ASSIGNED TO SPIRA INTERNATIONAL, INC. ALL RIGHTS TO DUPLICATE, TRANSFER OR USE ARE EXPRESSLY RESERVED BY SPIRA INTERNATIONAL. THE BUYER IS LICENSED TO BUILD ONE ASSEMBLY FROM THESE PLANS.

REVISIONS				
ZONE	LTR	DESCRIPTION	DATE	APPROVED
	B	ADDED MOTOR WELL CUTOUT DIMENSION	09/06/10	JJS

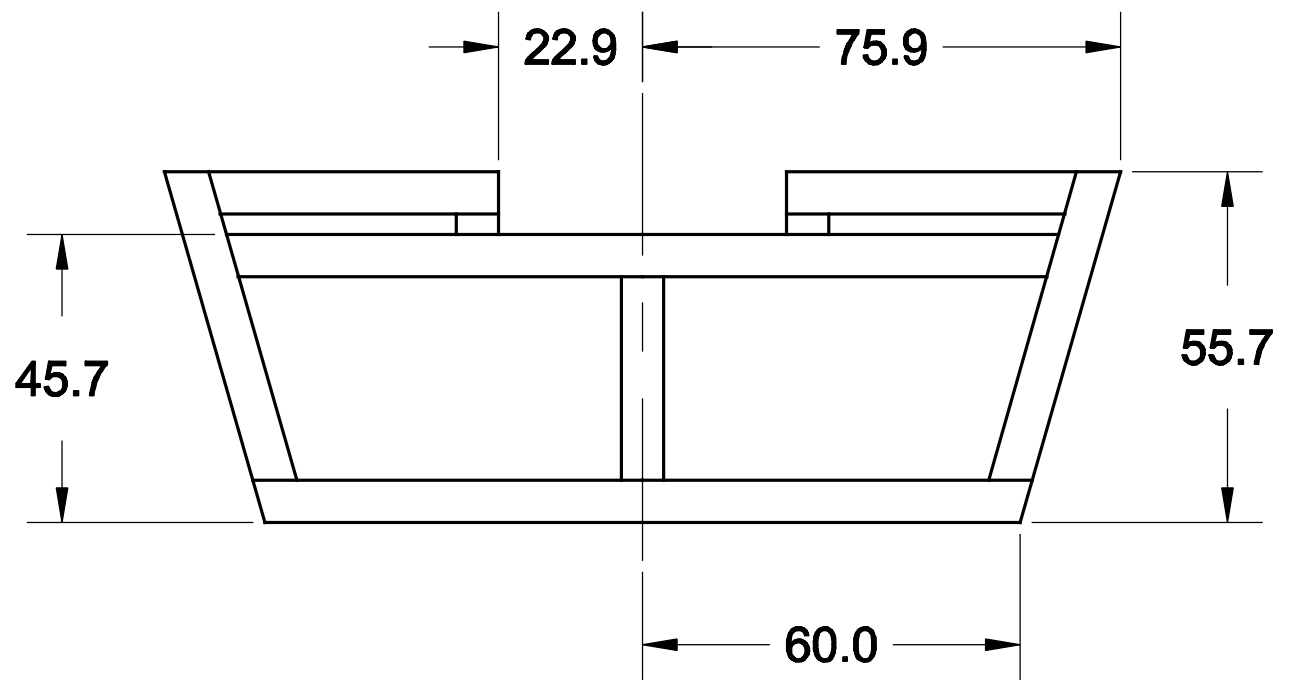
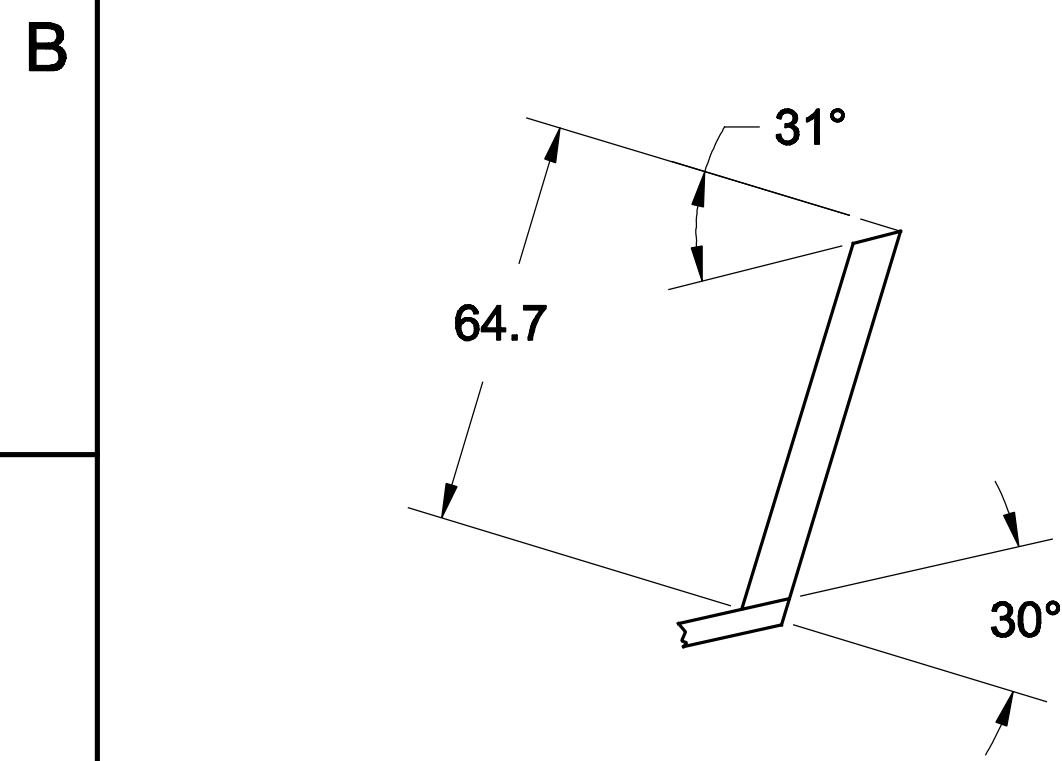


SENECA BILL OF MATERIALS

- 2 SHEETS 12MM PLYWOOD
- 2 SHEETS 10MM PLYWOOD
- 30M 19 X 63 TIMBER
- 23M 19 X 90 TIMBER
- 9 M 35 X 90 TIMBER
- 25M 19 X 35 TIMBER (OPTIONAL DECKING)
- 25 M5 X 75 WOOD OR DECK SCREWS
- 50 M4 X 75 DECK SCREWS
- 250 M4 X 35 DECK SCREWS
- 4 L EPOXY
- 12 M 6 OZ FIBERGLASS CLOTH

TYPICAL CONSTRUCTION AT EACH FRAME

SCALE: 1/4



ALL ELEMENTS: 35 X 90 TIMBER
 ALL JOINTS BUTTED
 SKIN OUTSIDE WITH 12MM PLY

NOTES:

- 1. YOU MAY SCARF TOGETHER SHORTER PIECES TO CREATE THE LONGITUDINAL ELEMENTS.

DIMENSIONS IN CENTIMETERS

Spira International, Inc.
 Huntington Beach, California

SENECA
 4.3 M PACIFIC POWER DORY

DRAWN BY: J. SPIRA	DATE: 08/17/10	DRAWING NO. SENAM02
SCALE 1/12		SHEET OF

4

3

2

1