

4

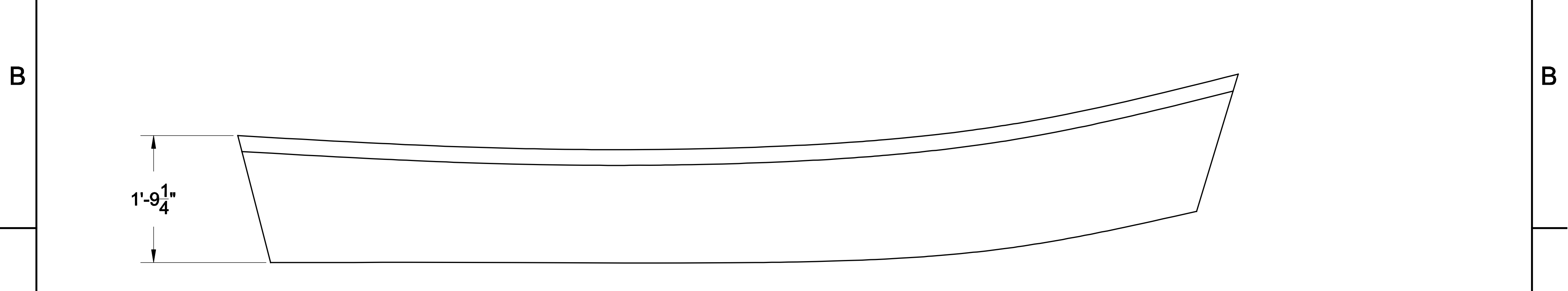
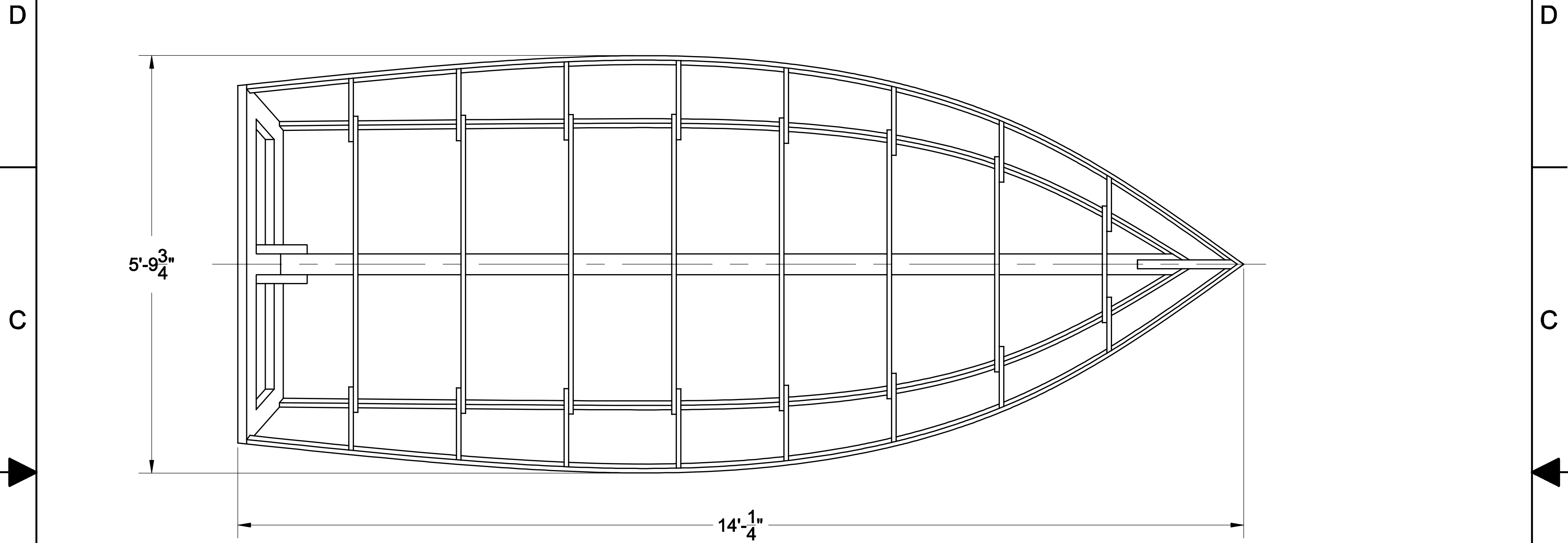
3

2

1

NOTICE
 THIS DRAWING CONTAINS A PROPRIETARY DESIGN ASSIGNED TO SPIRA INTERNATIONAL, INC. ALL RIGHTS TO DUPLICATE, TRANSFER OR USE ARE EXPRESSLY RESERVED BY SPIRA INTERNATIONAL. THE BUYER IS LICENSED TO BUILD ONE ASSEMBLY FROM THESE PLANS.

REVISIONS				
ZONE	LTR	DESCRIPTION	DATE	APPROVED



Spira International, Inc.
Huntington Beach, California

SENECA
 14' PACIFIC POWER DORY

DRAWN BY: J. SPIRA	DATE: 10/21/09	DRAWING NO. SENA01
SCALE 1" = 1'		SHEET OF

4

3

2

1

4

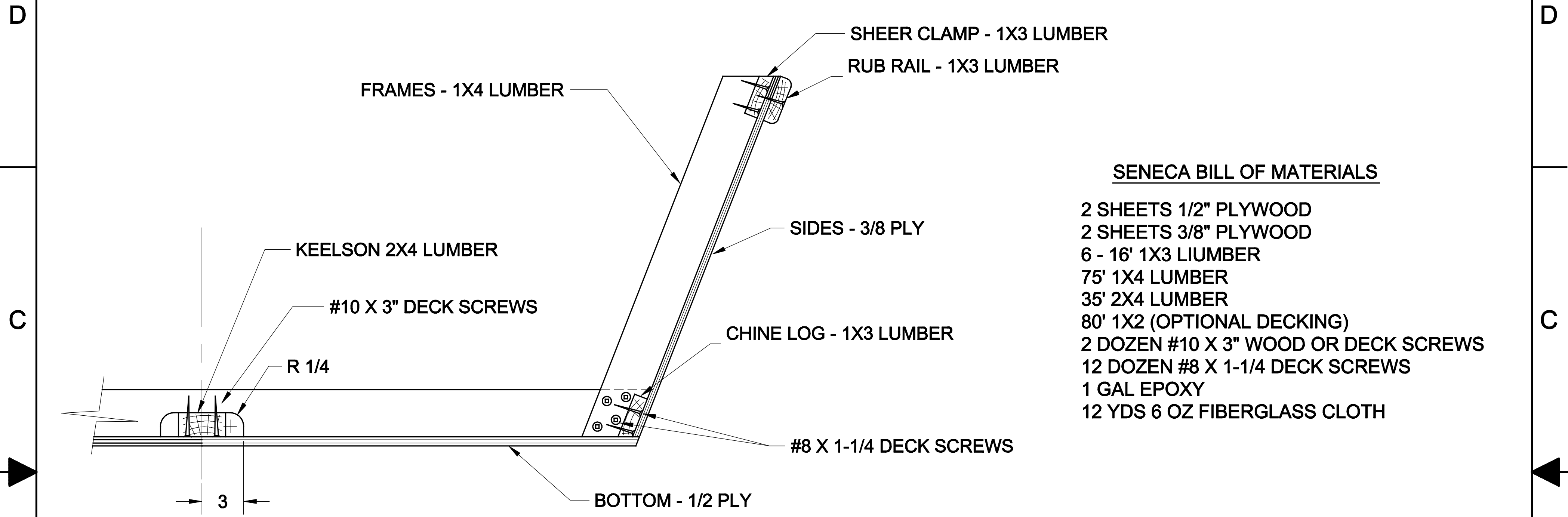
3

2

1

NOTICE
 THIS DRAWING CONTAINS A PROPRIETARY DESIGN ASSIGNED TO SPIRA INTERNATIONAL, INC. ALL RIGHTS TO DUPLICATE, TRANSFER OR USE ARE EXPRESSLY RESERVED BY SPIRA INTERNATIONAL. THE BUYER IS LICENSED TO BUILD ONE ASSEMBLY FROM THESE PLANS.

REVISIONS				
ZONE	LTR	DESCRIPTION	DATE	APPROVED
	A	ADDED BOM	07/16/10	JJS

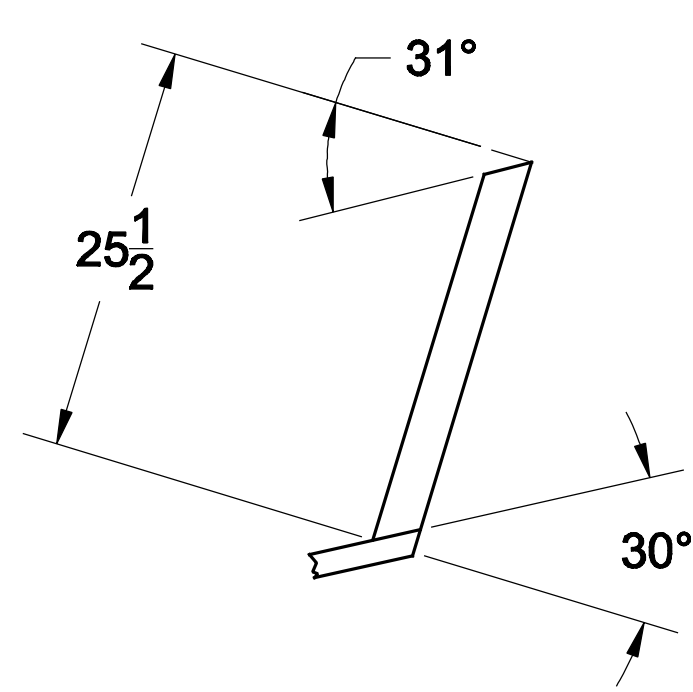


SENECA BILL OF MATERIALS

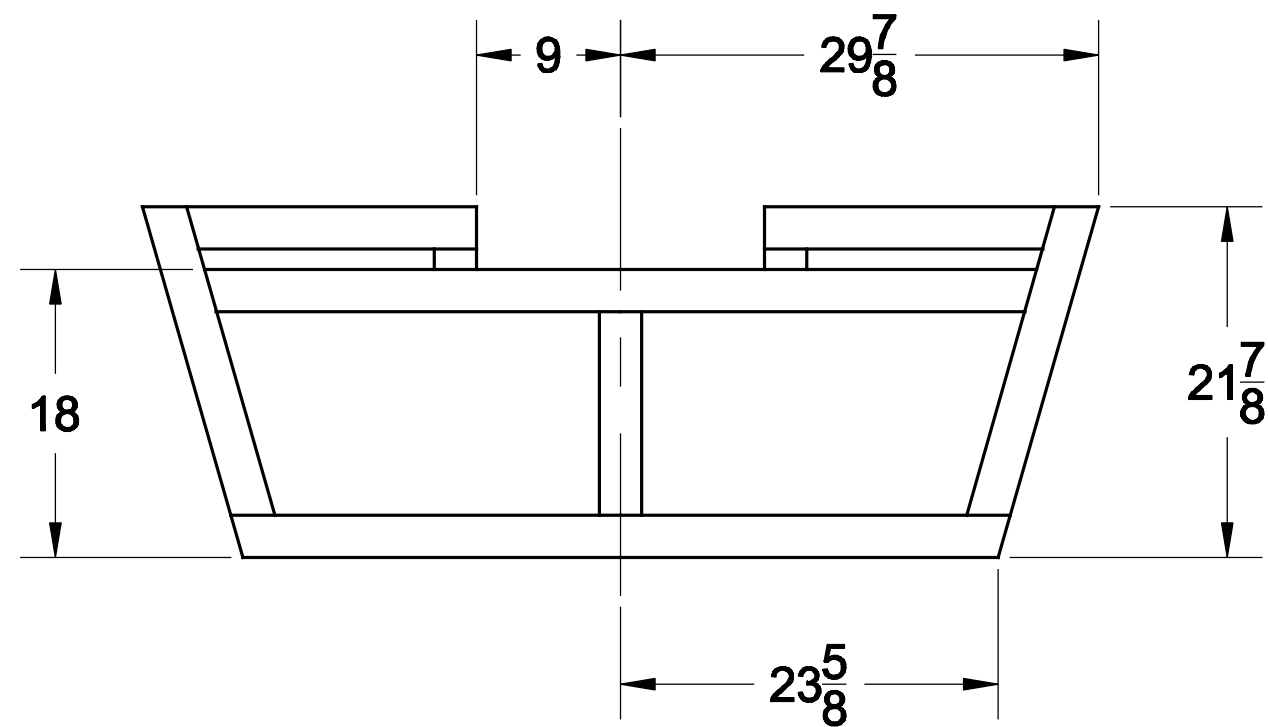
- 2 SHEETS 1/2" PLYWOOD
- 2 SHEETS 3/8" PLYWOOD
- 6 - 16' 1X3 LIUMBER
- 75' 1X4 LUMBER
- 35' 2X4 LUMBER
- 80' 1X2 (OPTIONAL DECKING)
- 2 DOZEN #10 X 3" WOOD OR DECK SCREWS
- 12 DOZEN #8 X 1-1/4 DECK SCREWS
- 1 GAL EPOXY
- 12 YDS 6 OZ FIBERGLASS CLOTH

TYPICAL CONSTRUCTION AT EACH FRAME

SCALE: 1/4



STEM
2X4 LUMBER



TRANSOM
 ALL ELEMENTS: 2X4 LUMBER
 ALL JOINTS BUTTED
 SKIN OUTSIDE WITH 1/2 PLY

NOTES:

1. YOU MAY SCARF TOGETHER SHORTER PIECES TO CREATE THE LONGITUDINAL ELEMENTS.
2. NOMINAL LUMBER SIZED CALLED OUT, E.G. A 2 X 4 LUMBER IS ACTUAL SIZE 1-1/2" X 3-1/2"

Spira International, Inc.
 Huntington Beach, California

SENECA
 14' PACIFIC POWER DORY

DRAWN BY: J. SPIRA	DATE: 10/21/09	DRAWING NO. SENA02
SCALE 1" = 1'		SHEET OF

4

3

2

1