

4

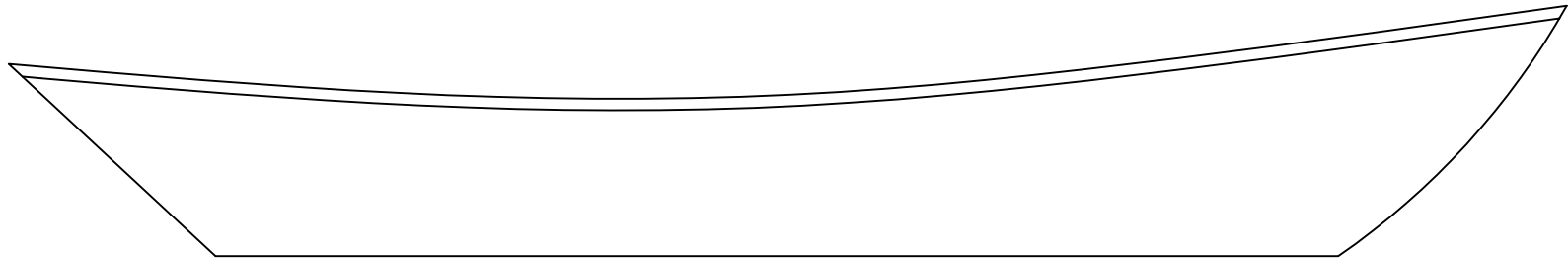
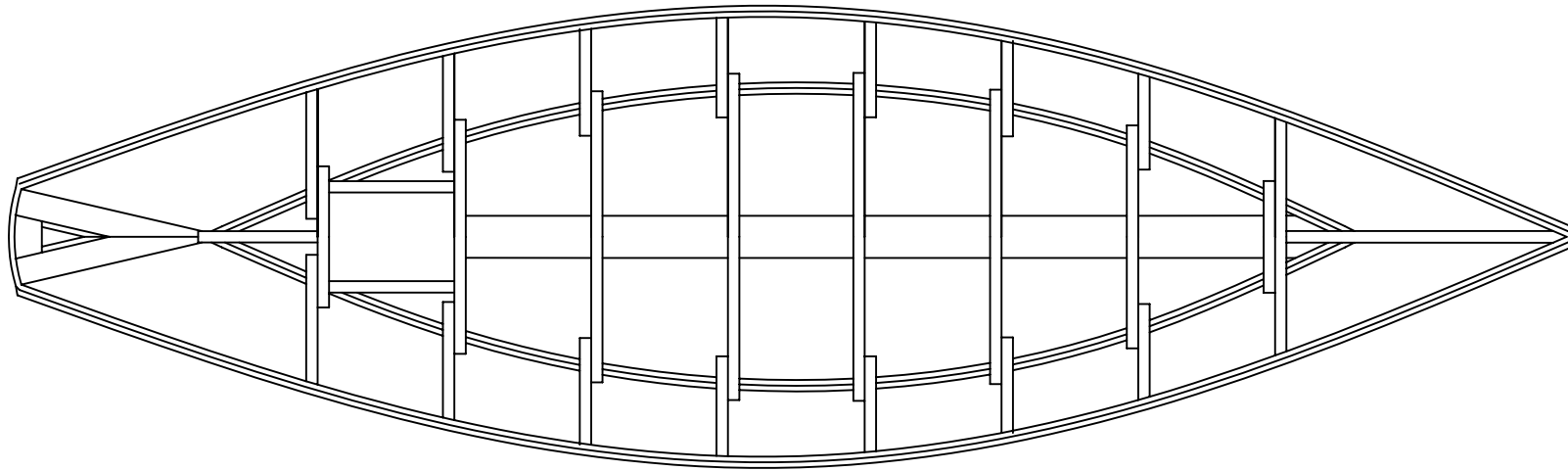
3

2

1

NOTICE
 THIS DRAWING CONTAINS A PROPRIETARY DESIGN ASSIGNED TO SPIRA INTERNATIONAL, INC. ALL RIGHTS TO DUPLICATE, TRANSFER OR SELL THIS DESIGN ARE EXPRESSLY RESERVED. THE BUYER IS LICENSED TO BUILD ONE ASSEMBLY FROM THESE PLANS.

REVISIONS				
ZONE	LTR	DESCRIPTION	DATE YR/MO/DA	APPROVED



TEXAN 17' FRAMED DORY	
LENGTH	17' 1"
BEAM	5' 1"
HEIGHT	2' 6"
WEIGHT	275 LBS

Spira International, Inc.
 Huntington Beach, California

TEXAN
 17' FRAMED DORY

DRAWN BY: J. SPIRA	DATE: 11/22/03	DRAWING NO. TEXA01
SCALE 1" = 1'		SHEET OF

4

3

2

1

D

D

C

C

B

B

A

A

4

3

2

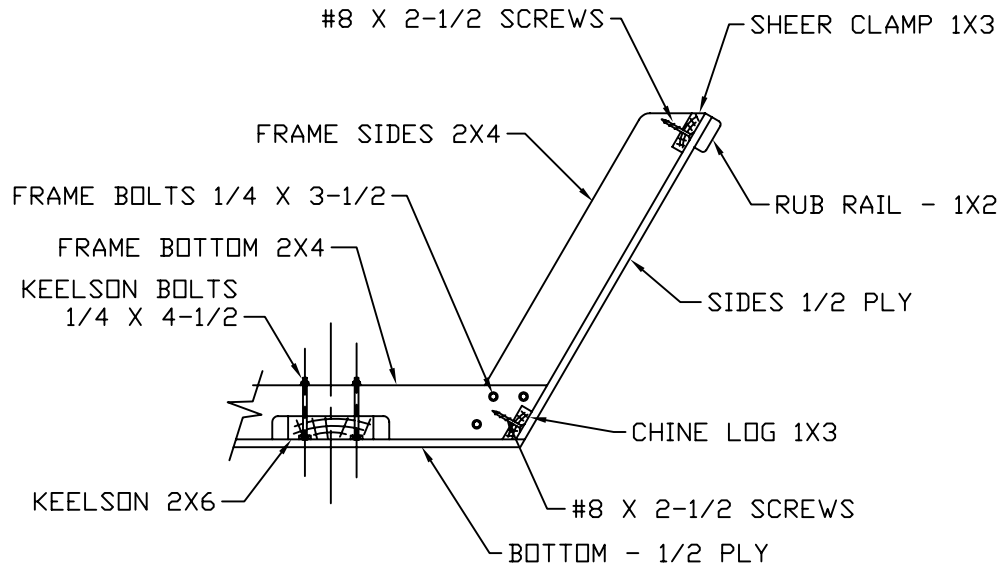
1

NOTICE
 THIS DRAWING CONTAINS A PROPRIETARY DESIGN ASSIGNED TO SPIRA INTERNATIONAL, INC. ALL RIGHTS TO DUPLICATE, TRANSFER OR SELL THIS DESIGN ARE EXPRESSLY RESERVED. THE BUYER IS LICENSED TO BUILD ONE ASSEMBLY FROM THESE PLANS.

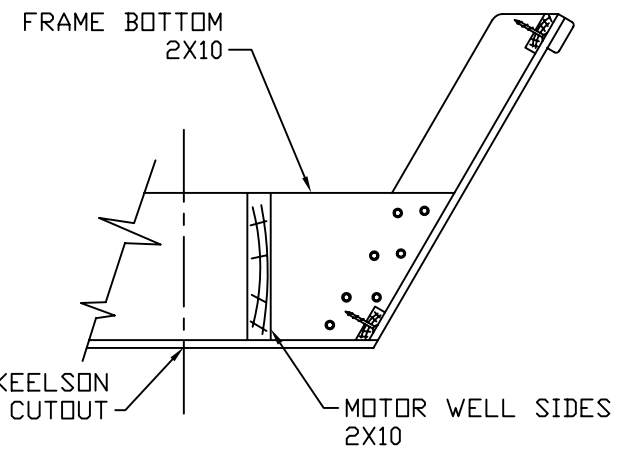
REVISIONS				
ZONE	LTR	DESCRIPTION	DATE YR/MO/DA	APPROVED

D

D



CONSTRUCTION DETAILS
 ALL FRAMES EXCEPT MOTOR WELL



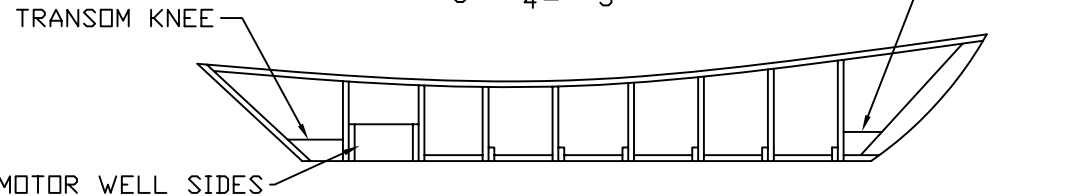
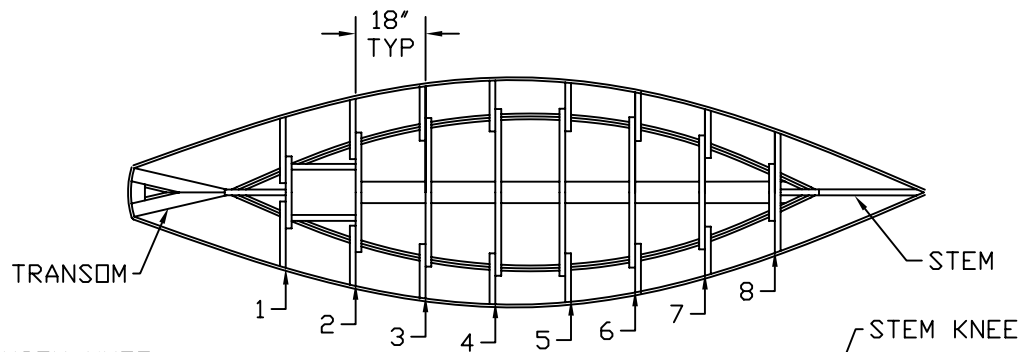
CONSTRUCTION DETAILS
 MOTOR WELL FRAMES

C

C

B

B



FRAME LOCATIONS AND IDENTIFICATION

4

3

2

1

A

A

Spira International, Inc.
 Huntington Beach, California

TEXAN
 FRAMING DETAILS

DRAWN BY: J. SPIRA	DATE: 11/22/03	DRAWING NO. TEXA04
SCALE 2" = 1'		SHEET OF