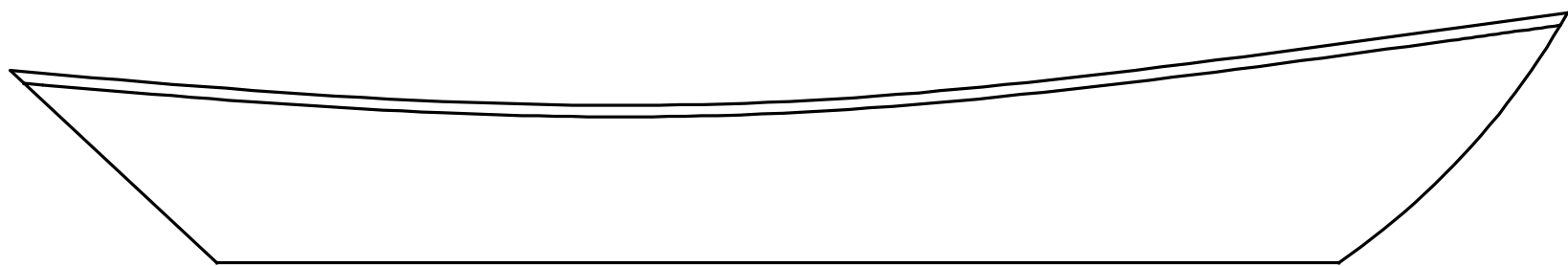
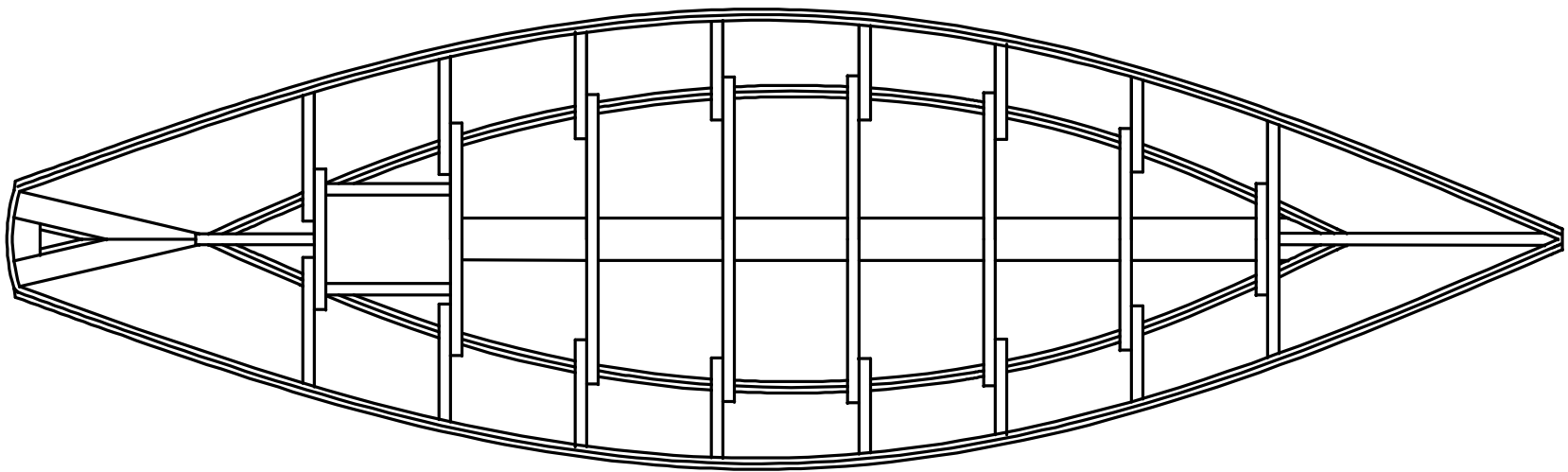


NOTICE
 THIS DRAWING CONTAINS A PROPRIETARY DESIGN ASSIGNED TO SPIRA INTERNATIONAL, INC. ALL RIGHTS TO DUPLICATE, TRANSFER OR SELL THIS DESIGN ARE EXPRESSLY RESERVED. THE BUYER IS LICENSED TO BUILD ONE ASSEMBLY FROM THESE PLANS.

REVISIONS				
ZONE	LTR	DESCRIPTION	DATE	APPROVED
	A	UPDATED TO NEW FORMAT	09/30/08	JJS



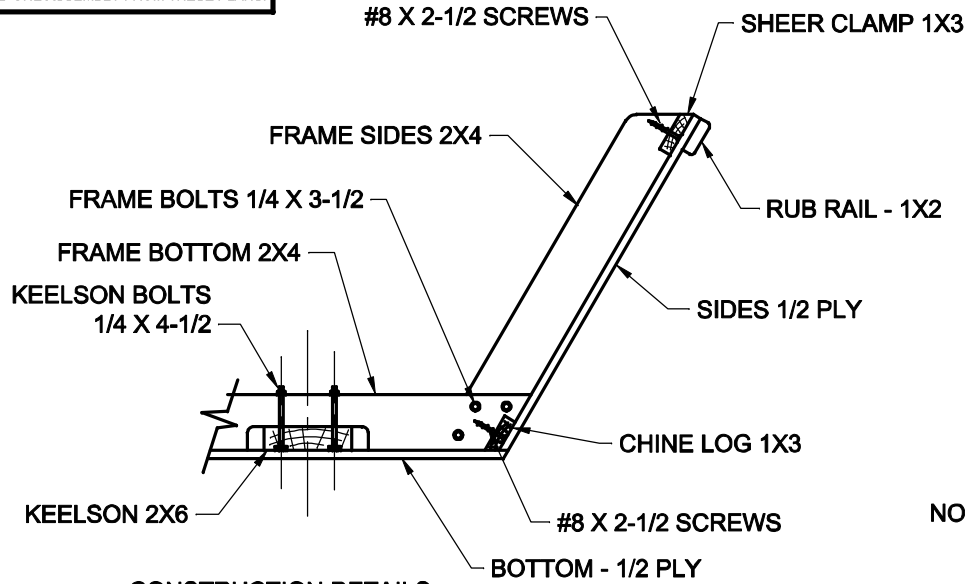
TEXAN 17' FRAMED DORY	
LENGTH	17' 1"
BEAM	5' 1"
HEIGHT	2' 6"
WEIGHT	275 LBS

Spira International, Inc. <i>Huntington Beach, California</i>		
TEXAN 17' FRAMED DORY		
DRAWN BY: J. SPIRA	DATE: 11/22/03	DRAWING NO. TEXA01
SCALE 1" = 1'		SHEET OF

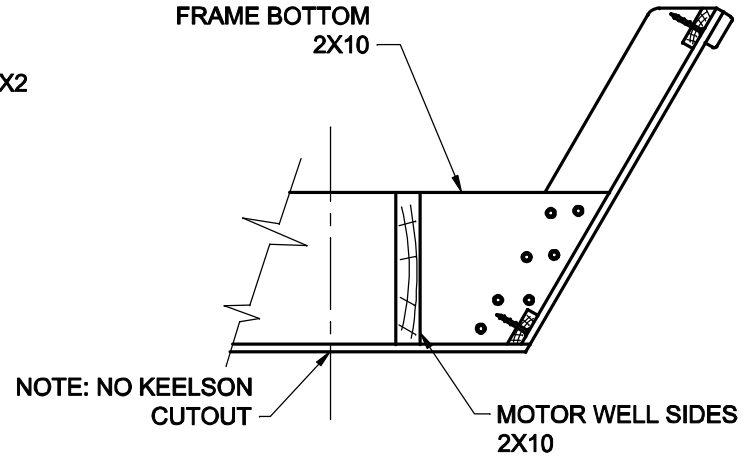
NOTICE

THIS DRAWING CONTAINS A PROPRIETARY DESIGN ASSIGNED TO SPIRA INTERNATIONAL, INC. ALL RIGHTS TO DUPLICATE, TRANSFER OR SELL THIS DESIGN ARE EXPRESSLY RESERVED. THE BUYER IS LICENSED TO BUILD ONE ASSEMBLY FROM THESE PLANS.

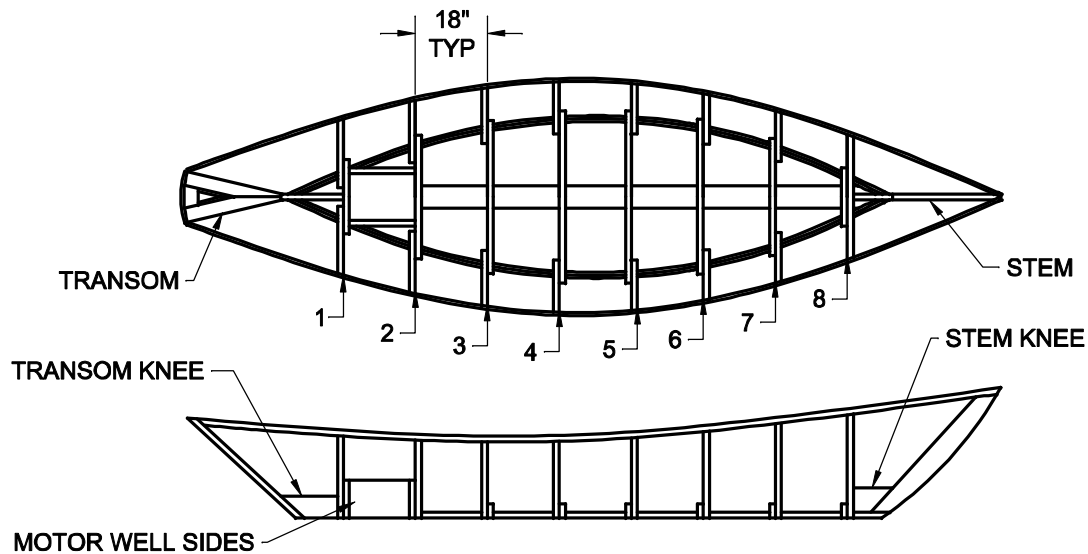
REVISIONS				
ZONE	LTR	DESCRIPTION	DATE	APPROVED
	A	UPDATED TO NEW FORMAT	09/30/08	JJS



CONSTRUCTION DETAILS
ALL FRAMES EXCEPT MOTOR WELL



CONSTRUCTION DETAILS
MOTOR WELL FRAMES



FRAME LOCATIONS AND IDENTIFICATION

Spira International, Inc.
Huntington Beach, California

TEXAN
FRAMING DETAILS

DRAWN BY: J. SPIRA	DATE: 11/22/03	DRAWING NO. TEXA04
SCALE 2" = 1'		SHEET OF