

4

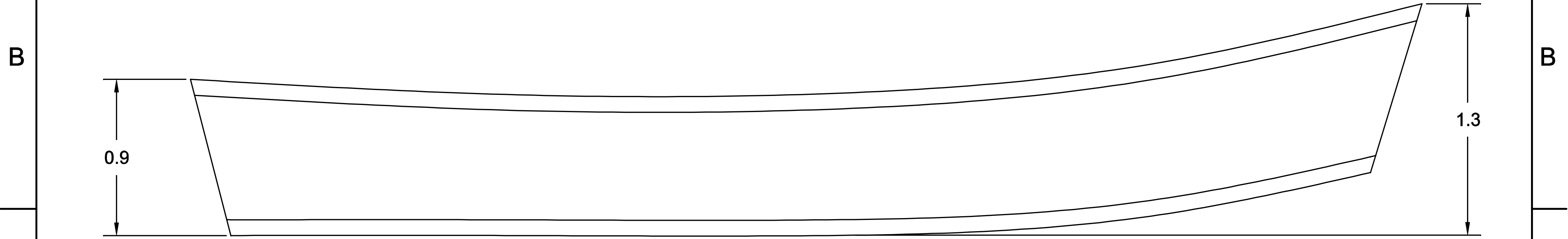
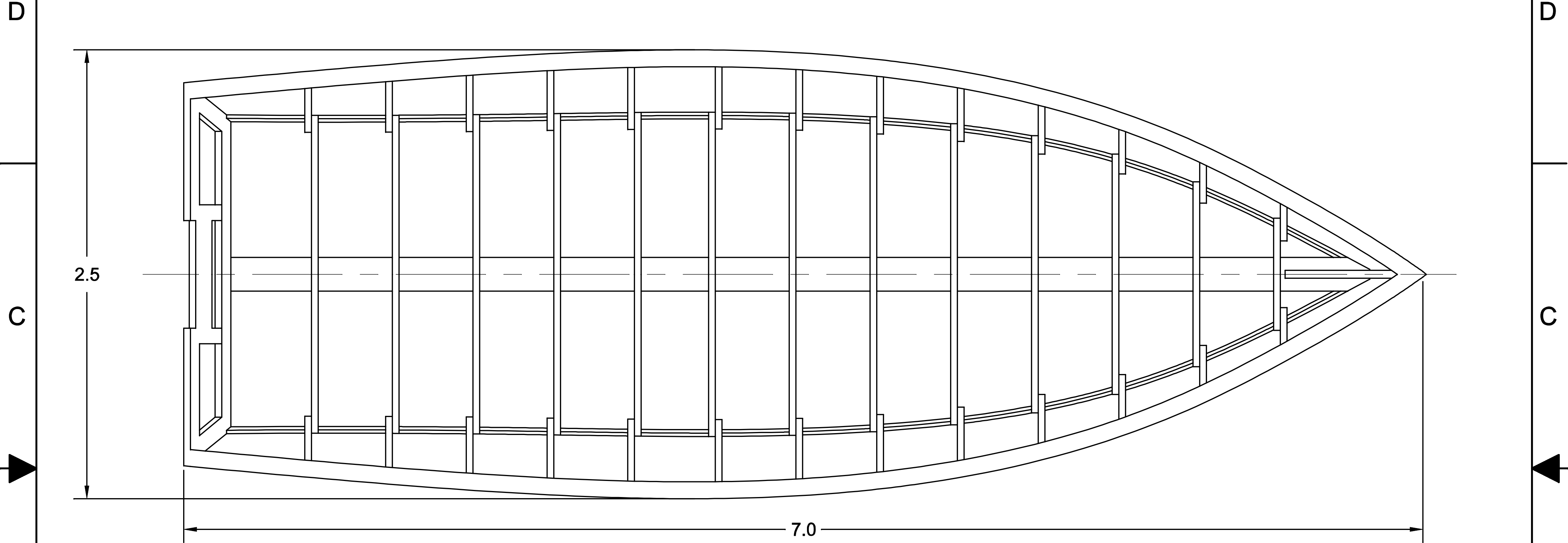
3

2

1

NOTICE  
 THIS DRAWING CONTAINS A PROPRIETARY DESIGN ASSIGNED TO SPIRA INTERNATIONAL, INC. ALL RIGHTS TO DUPLICATE, TRANSFER OR SELL THIS DESIGN ARE EXPRESSLY RESERVED. THE BUYER IS LICENSED TO BUILD ONE ASSEMBLY FROM THESE PLANS.

REVISIONS				
ZONE	LTR	DESCRIPTION	DATE	APPROVED



**Spira International, Inc.**  
*Huntington Beach, California*

**WINCHESTER**  
**7M PACIFIC POWER DORY**

DRAWN BY: J. SPIRA	DATE: 08/16/10	DRAWING NO. WINCM01
SCALE 3/4" = 1'		SHEET OF

4

3

2

1

4

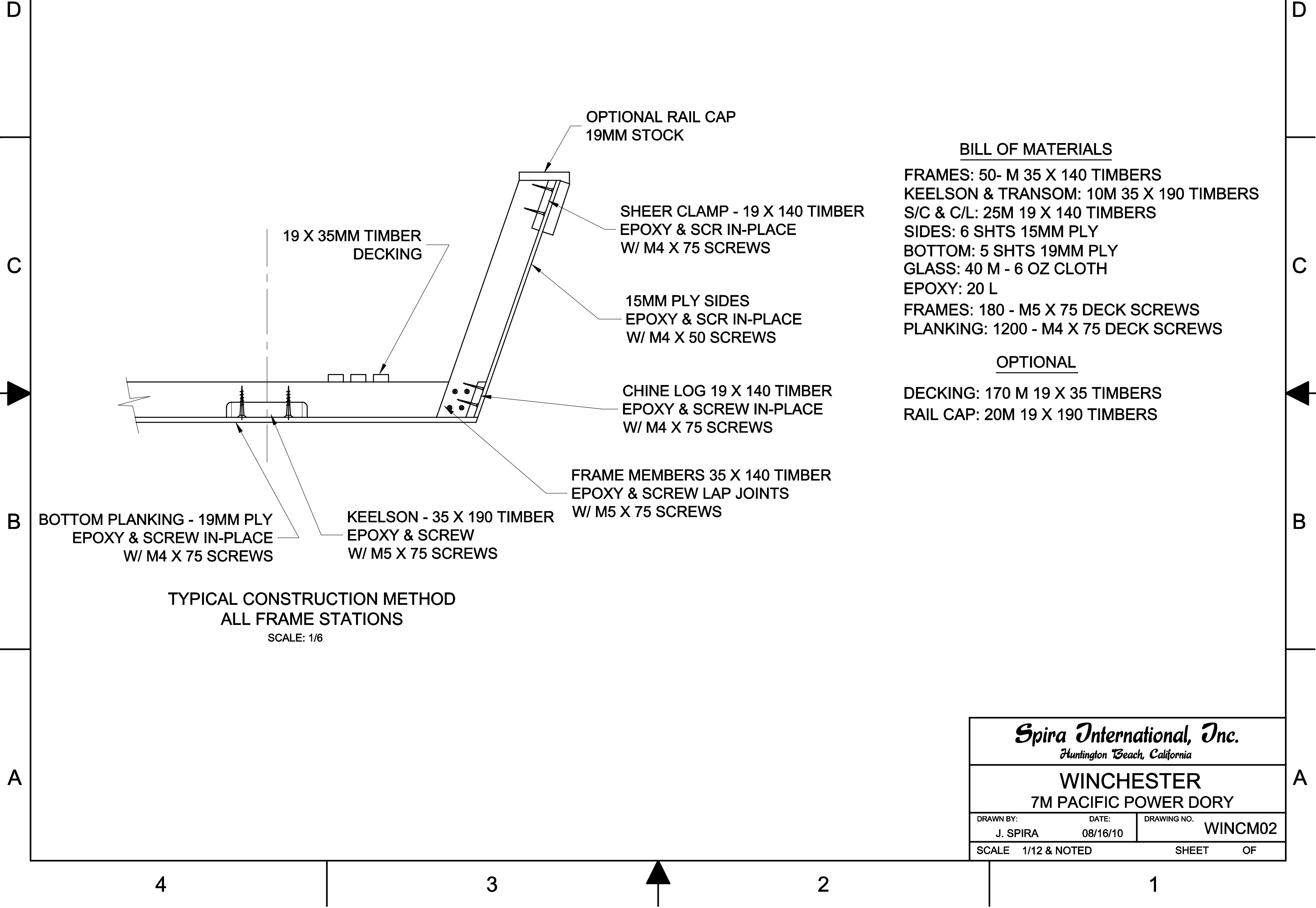
3

2

1

NOTICE  
 THIS DRAWING CONTAINS A PROPRIETARY DESIGN ASSIGNED TO SPIRA INTERNATIONAL, INC. ALL RIGHTS TO DUPLICATE, TRANSFER OR SELL THIS DESIGN ARE EXPRESSLY RESERVED. THE BUYER IS LICENSED TO BUILD ONE ASSEMBLY FROM THESE PLANS.

REVISIONS				
ZONE	LTR	DESCRIPTION	DATE	APPROVED
	A	CORRECTED BOM - BOTTOM PLY	03/31/10	JJS



**BILL OF MATERIALS**

FRAMES: 50- M 35 X 140 TIMBERS  
 KEELSON & TRANSOM: 10M 35 X 190 TIMBERS  
 S/C & C/L: 25M 19 X 140 TIMBERS  
 SIDES: 6 SHTS 15MM PLY  
 BOTTOM: 5 SHTS 19MM PLY  
 GLASS: 40 M - 6 OZ CLOTH  
 EPOXY: 20 L  
 FRAMES: 180 - M5 X 75 DECK SCREWS  
 PLANKING: 1200 - M4 X 75 DECK SCREWS

**OPTIONAL**

DECKING: 170 M 19 X 35 TIMBERS  
 RAIL CAP: 20M 19 X 190 TIMBERS

TYPICAL CONSTRUCTION METHOD  
 ALL FRAME STATIONS

SCALE: 1/6

**Spira International, Inc.**  
 Huntington Beach, California

**WINCHESTER**  
 7M PACIFIC POWER DORY

DRAWN BY: J. SPIRA	DATE: 08/16/10	DRAWING NO. WINCM02
-----------------------	-------------------	------------------------

SCALE 1/12 & NOTED SHEET OF