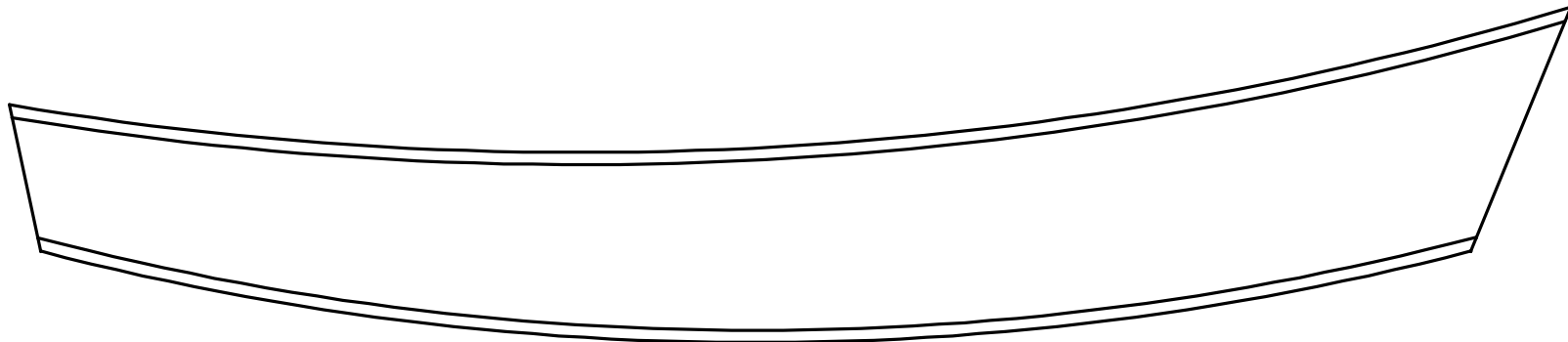
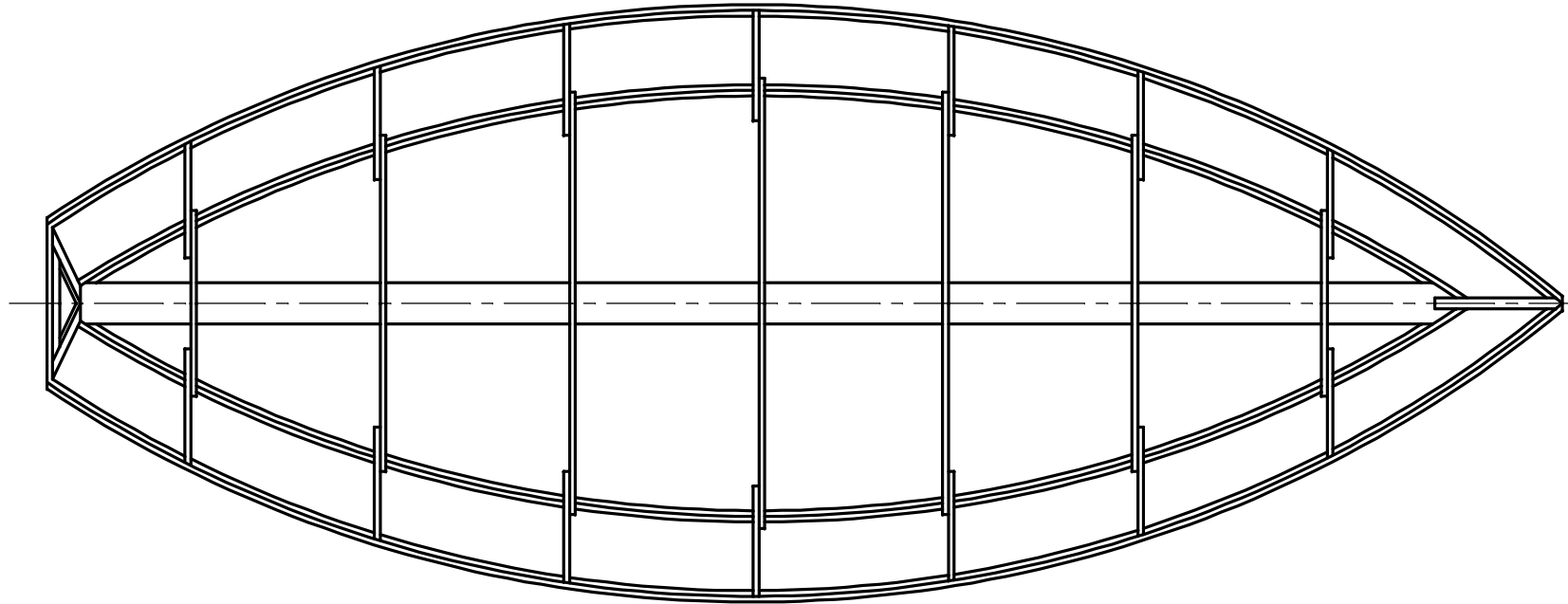


NOTICE

THIS DRAWING CONTAINS A PROPRIETARY DESIGN ASSIGNED TO SPIRA INTERNATIONAL, INC. ALL RIGHTS TO DUPLICATE, TRANSFER OR SELL THIS DESIGN ARE EXPRESSLY RESERVED. THE BUYER IS LICENSED TO BUILD ONE ASSEMBLY FROM THESE PLANS.

REVISIONS

ZONE	LTR	DESCRIPTION	DATE	APPROVED
	A	UPDATED TO NEW FORMAT	09/29/08	JJS



SPECIFICATIONS

LENGTH	16' 0"
BEAM	6' 6"
HEIGHT	2' 10"
DRAFT	0' 4"
WEIGHT	80 LBS

**Spira International, Inc.**  
Huntington Beach, California

**YUKON**  
16' DRIFT BOAT

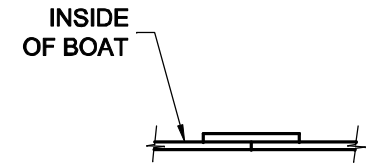
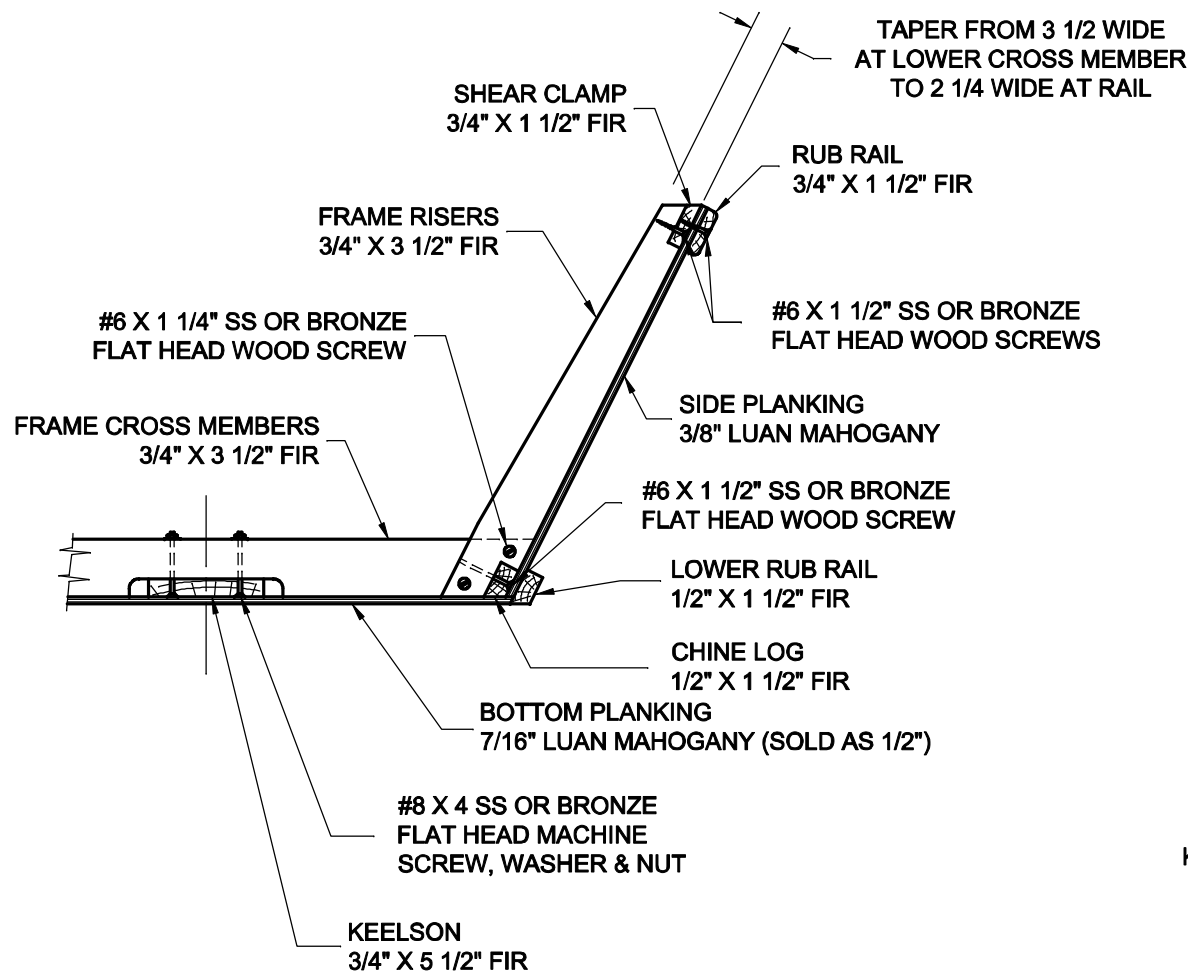
DRAWN BY: J. SPIRA	DATE: 12/04/00	DRAWING NO. YUKO01
SCALE 1" = 1'		SHEET OF

**NOTICE**

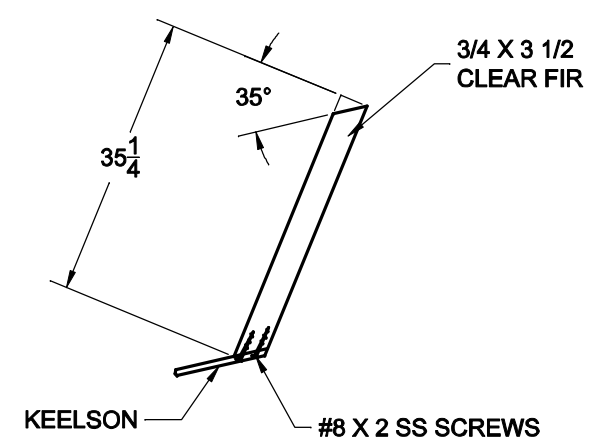
THIS DRAWING CONTAINS A PROPRIETARY DESIGN ASSIGNED TO SPIRA INTERNATIONAL, INC. ALL RIGHTS TO DUPLICATE, TRANSFER OR SELL THIS DESIGN ARE EXPRESSLY RESERVED. THE BUYER IS LICENSED TO BUILD ONE ASSEMBLY FROM THESE PLANS.

**REVISIONS**

ZONE	LTR	DESCRIPTION	DATE	APPROVED
	A	UPDATED TO NEW FORMAT	09/29/08	JJS



BUTT BLOCK DETAIL  
FOR ALL PLYWOOD SEAMS  
SCALE 2" = 1'



STEM DETAILS

CONSTRUCTION METHOD  
TYPICAL AT ALL FRAMES

<b>Spira International, Inc.</b> <i>Huntington Beach, California</i>		
<b>YUKON</b> CONSTRUCTION DETAILS		
DRAWN BY: J. SPIRA	DATE: 12/04/00	DRAWING NO. YUKO04
SCALE 1" = 1' & NOTED		SHEET OF