

4

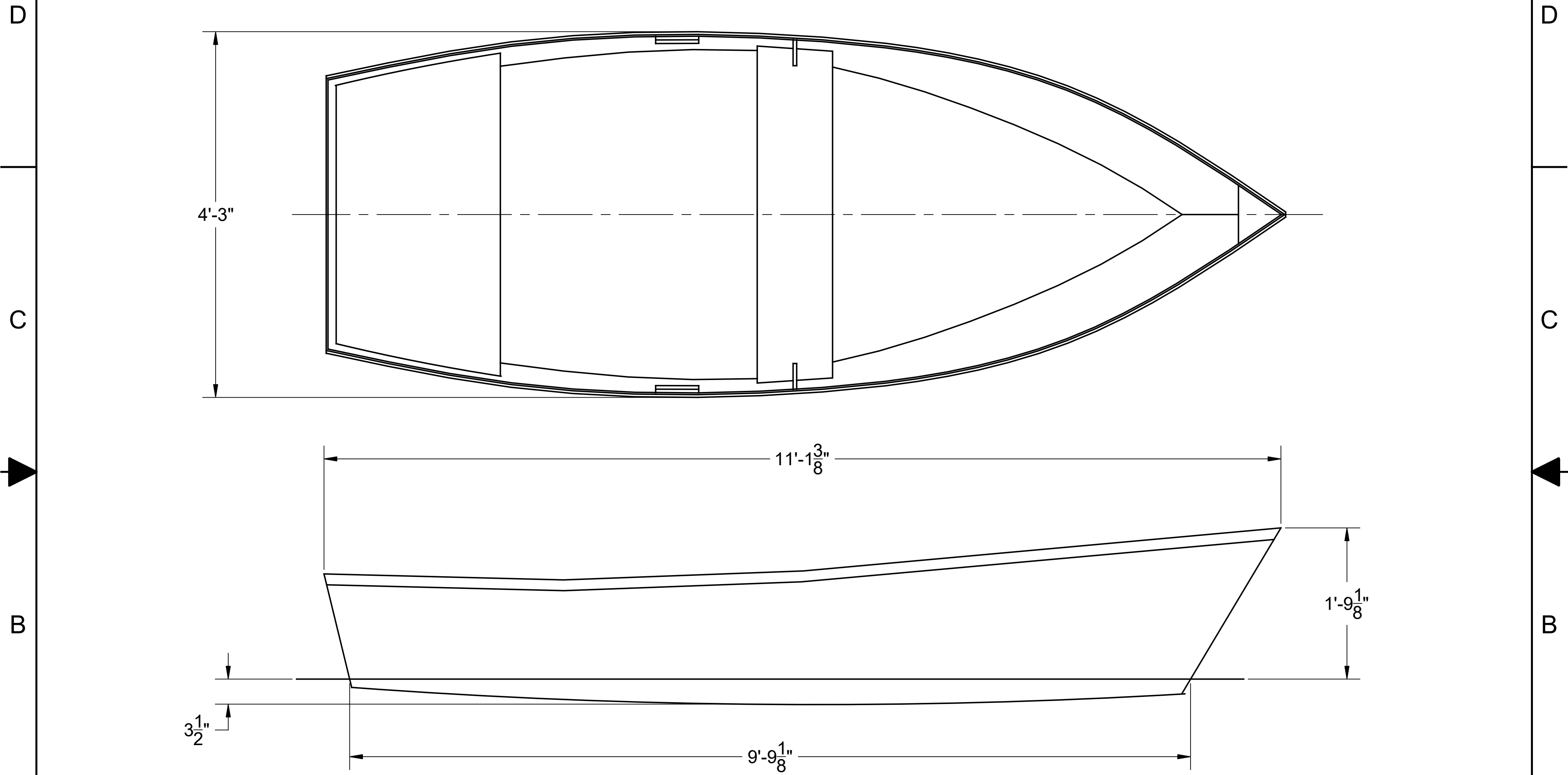
3

2

1

**NOTICE**  
 THIS DRAWING CONTAINS A PROPRIETARY DESIGN ASSIGNED TO SPIRA INTERNATIONAL, INC. ALL RIGHTS TO DUPLICATE, TRANSFER OR USE ARE EXPRESSLY RESERVED BY SPIRA INTERNATIONAL. THE BUYER IS LICENSED TO BUILD ONE ASSEMBLY FROM THESE PLANS.

REVISIONS				
ZONE	LTR	DESCRIPTION	DATE	APPROVED
	B	ADDED NEW SPEC TABLE	08/12/17	JJS



SPECIFICATIONS	
MAX. DISPLACEMENT	650 LBS
HULL WEIGHT	65 LBS
MAX. HP - SHORT SHAFT	7.5 HP
RECOMMENDED HP	3 HP

 **Spira International, Inc.**  
 Huntington Beach, California

**MISSION BAY**  
 11' SKIFF

DRAWN BY: J. SPIRA	DATE: 02/21/01	DRAWING NO. MISS01
SCALE 1/10		SHEET OF

4

3

2

1

4

3

2

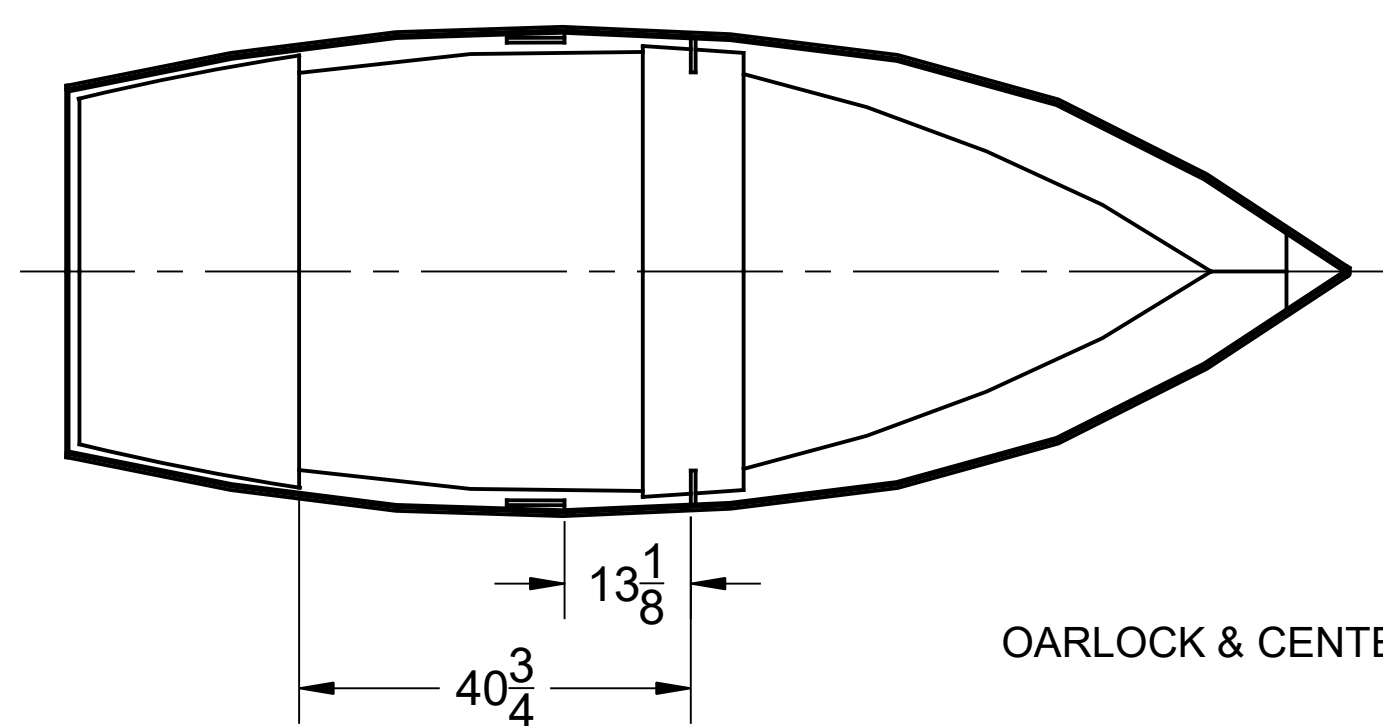
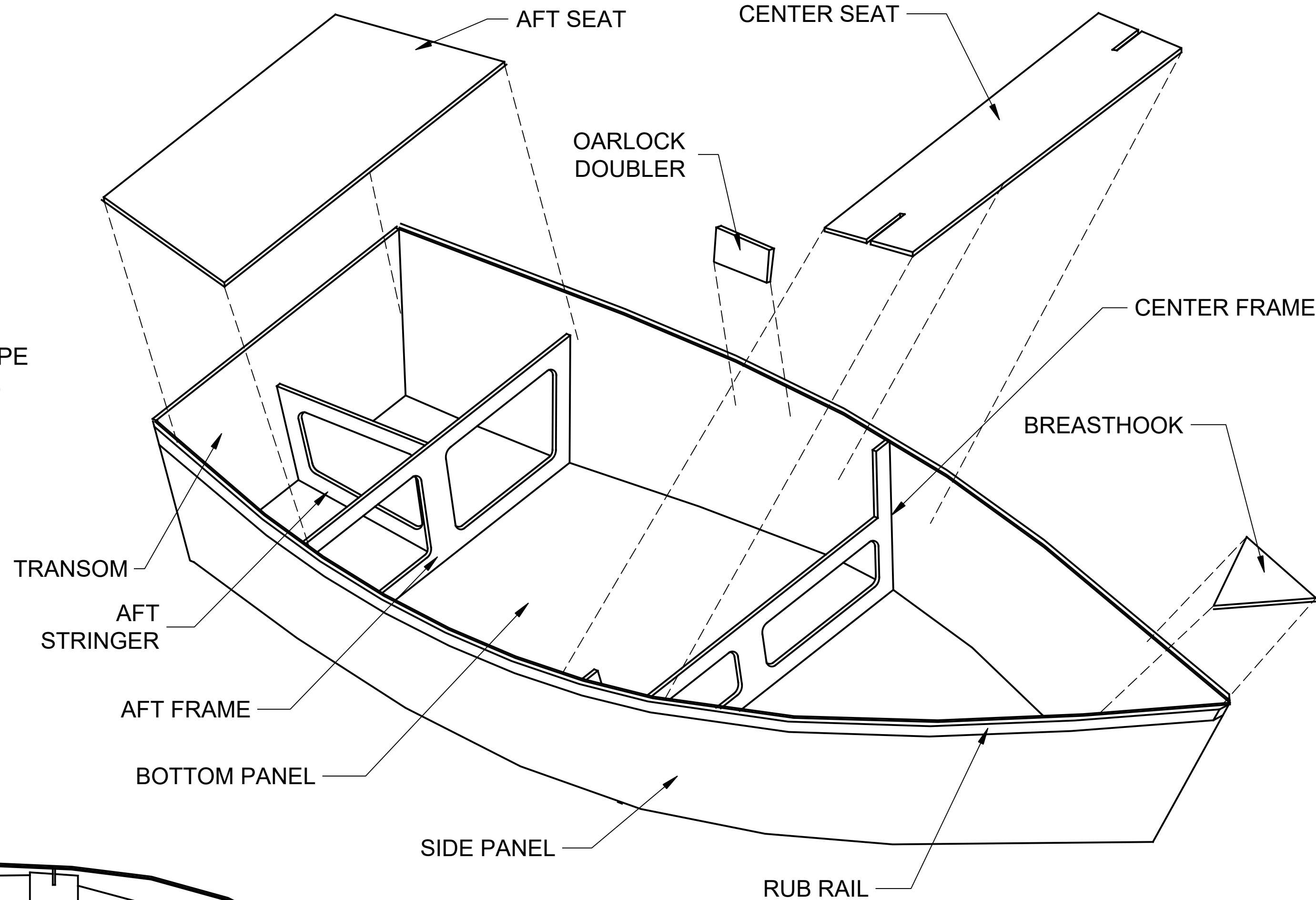
1

**NOTICE**  
 THIS DRAWING CONTAINS A PROPRIETARY DESIGN ASSIGNED TO SPIRA INTERNATIONAL, INC. ALL RIGHTS TO DUPLICATE, TRANSFER OR USE ARE EXPRESSLY RESERVED BY SPIRA INTERNATIONAL. THE BUYER IS LICENSED TO BUILD ONE ASSEMBLY FROM THESE PLANS.

REVISIONS				
ZONE	LTR	DESCRIPTION	DATE	APPROVED
	B	RENUMBERED AND ADDED BOM	07/07/12	JJS

**BILL OF MATERIALS**

- 3 - 4' X 8' SHEETS 1/4" PLYWOOD
- 1 - 4' X 8' SHEET 1/2" PLYWOOD
- 32' - 1/2" X 1-1/2" MOLDING
- 3 - QTS EPOXY RESIN
- 2 - QTS EPOXY THICKENER
- 25 YDS - 3" WIDE FIBERGLASS TAPE
- 100 FT - 14 GAUGE COPPER WIRE



GENERAL ARRANGEMENT  
(NO SCALE)

 **Spira International, Inc.**  
 Huntington Beach, California

**MISSION BAY**  
 11' SKIFF

DRAWN BY: J. SPIRA	DATE: 02/23/01	DRAWING NO. MISS02
SCALE 1/20 & NOTED		SHEET OF

4

3

2

1